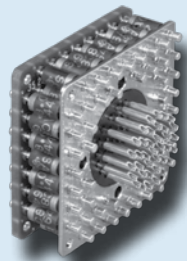
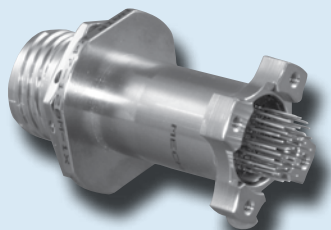

Glenair MIL-DTL-38999 Type Filter Connectors

SECTION C TABLE OF CONTENTS

GLENAIR MIL-DTL-38999 TYPE FILTER CONNECTORS:

Glenair MIL-DTL-38999 Type Filter Connector Product Features.....	C-1
MIL-DTL-38999 Series I Type Master How-to-Order and Reference Information.....	C-2
240-381W Series I Type Wall Mount Filter Connector w/ Accessory Threads.....	C-4
240-381R Series I Type Wall Mount Filter Connector w/ Crimp Removable Contacts.....	C-6
240-381J Series I Type Jam Nut Mount Filter Connector.....	C-8
240-381A Series I Type Sav-Con® Filtered Connector Adapter.....	C-10
MIL-DTL-38999 Series II Type Master How-to-Order and Reference Information.....	C-12
240-382W Series II Type Wall Mount Filter Connector.....	C-14
240-382J Series II Type Jam Nut Filter Connector.....	C-16
240-382A Series II Type Sav-Con® Filtered Connector Adapter.....	C-18
MIL-DTL-38999 Series III Type Master How-to-Order and Reference Information.....	C-20
240-383P Series III Type Filter Connector Plug.....	C-22
240-383W Series III Type Wall Mount Filter Connector.....	C-24
240-383J Series III Type Jam Nut Filter Connector.....	C-26
240-383S Series III Type Jam Nut Filter Connector w/ Crimp Removable Contacts.....	C-28
240-383D Series III Type Dual Flange Wall Mount w/ PC Tails.....	C-30
240-383E Series III Type Dual Flange Jam Nut Filter Connector.....	C-32
240-383R Series III Type Wall Mount Filter Connector w/ Crimp Removable Contacts.....	C-34
240-383A Series III Type Sav-Con® Filtered Connector Adapter.....	C-36
MIL-DTL-38999 Series IV Type Master How-to-Order and Reference Information.....	C-38
240-384J Series IV Type Jam Nut Filter Connector.....	C-40
240-384W Series IV Type Wall Mount Filter Connector.....	C-42





PRODUCT FEATURES

- All Filter Connector Styles Meet or Exceed Applicable Military Standards
- C and Pi Circuit Filters from 400 pF to 240,000 pF
- All Connector Series are Intermateable with Standard (Non-Filtered) Plugs and Connector Adapters
- Broadest Range of Insert Arrangements for MIL-DTL-38999 Series I, II, III and IV
- PC Tail, Solder Cup and Crimp-Contact Versions
- Space-Grade Bake-Out Processing Available
- Transient Voltage Suppression Diodes Available

The Industry's Best Short Lead-Time Source for Planar Array Type EMI/EMP Filter Connectors

C

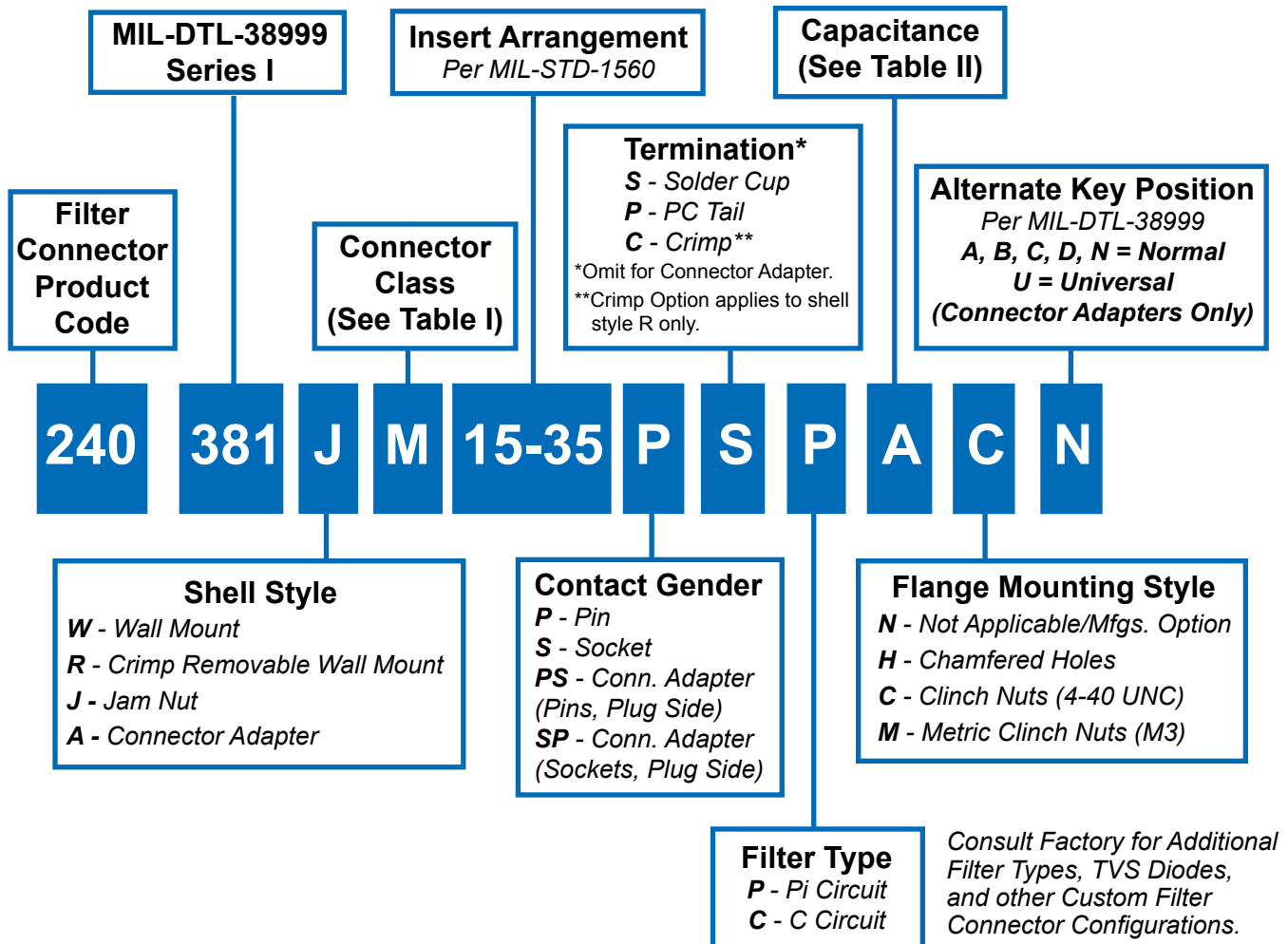
Military Standard Type Series

Glenair's family of circular military standard type EMI/EMP filter connectors is designed to meet stringent military/aerospace performance requirements. Each connector series is offered with standard low-pass Pi or C filter arrays, or with customized filters to meet specific frequency and capacitance requirements. Thermally conductive epoxy protects the filter package from mechanical and heat stress and also provides a waterproof seal. All filtered receptacles are intermateable with standard plugs and connector savers, and each respective series of connectors is supplied with a range of shell styles in both environmental and hermetic configurations. Please see the "How to Order" page for available styles for each series:

MIL-DTL-38999 Series I.....	C-2	MIL-DTL-38999 Series III.....	C-20
MIL-DTL-38999 Series II.....	C-12	MIL-DTL-38999 Series IV.....	C-38

MATERIAL AND FINISHES

Contacts	Beryllium Copper Alloy, 50 μ Inch Gold Plated per ASTM B488 Type 3, Code C, Class 1,27 over Nickel Underplate per QQ-N-290 Class 2. Socket Contact Hood: Corrosion Resistant Steel, Passivated.
Insulator	Liquid crystal Polymer (LCP) per MIL-M-24519 GLP-30F, 30% Glass-Filled
Interfacial Seal, O-Ring, and Peripheral Seal	Flourosilicone Elastomer per A-A-59588, Color Blue
Shell, Jam Nut Material	Aluminum Alloy per ASTM B 211 or ASTM B 221 or Corrosion Resistant Steel per AMS-QQ-S-763
Shell and Jam Nut Finish	Code M: Electroless Nickel per AMS-C-26074 (96 Hour Salt Spray)
	Code NF: Olive Drab Cadmium per AMS-QQ-P-416 over Electroless Nickel (500 Hour Salt Spray)
	Code P: Stainless Steel with Electro-Deposited Nickel
	Code MT: Ni-PTFE 1000 Hour Grey™ (Nickel Flourocarbon Polymer) per MIL-DTL-38999 Rev. L
Potting Compound	Thermally Conductive Epoxy


TABLE I: CONNECTOR CLASS

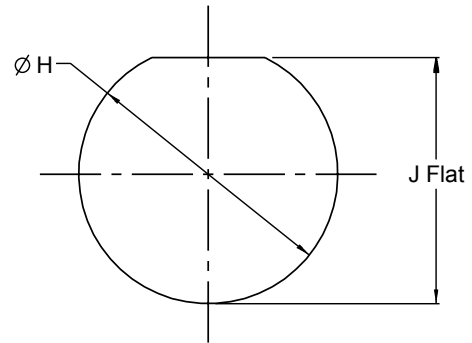
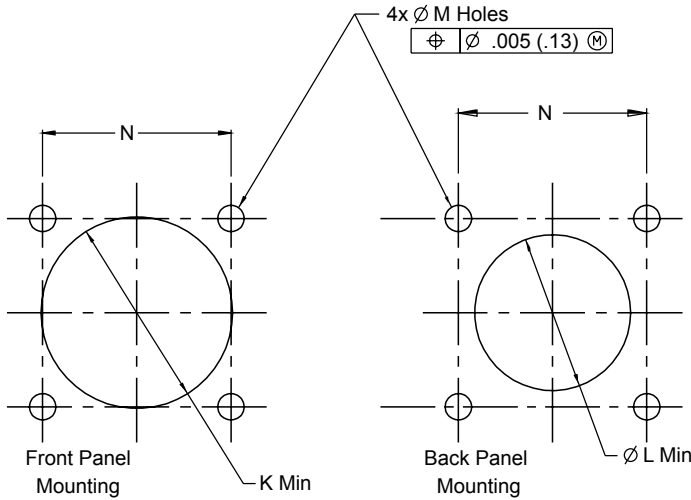
SYM	CLASS	MATERIAL	FINISH DESCRIPTION
M	Environmental	Aluminum	Electroless Nickel
MT	Environmental	Aluminum	Ni-PTFE 1000 Hour Grey™ Nickel Fluorocarbon Polymer
NF	Environmental	Aluminum	Cadmium O.D. Over Electroless Nickel
P	Environmental	Stainless Steel	Electro-Deposited Nickel
ZN	Environmental	Aluminum	Zinc-Nickel Over Electroless Nickel

TABLE II: CAPACITOR ARRAY CODE CAPACITANCE RANGE

CLASS	PI - CIRCUIT (pF)	C - CIRCUIT (pF)
X*	160,000 - 240,000	80,000 - 120,000
Y*	80,000 - 120,000	40,000 - 60,000
Z*	60,000 - 90,000	30,000 - 45,000
A	38,000 - 56,000	19,000 - 28,000
B	32,000 - 45,000	16,000 - 22,500
C	18,000 - 33,000	9,000 - 16,500
D	8,000 - 12,000	4,000 - 6,000
E	3,300 - 5,000	1,650 - 2,500
F	800 - 1,300	400 - 650
G	400 - 600	200 - 300

* Reduced DWV – Please consult factory.

Glenair MIL-DTL-38999 Series I Type Scoop-Proof Filter Connector with Bayonet Coupling Reference Information

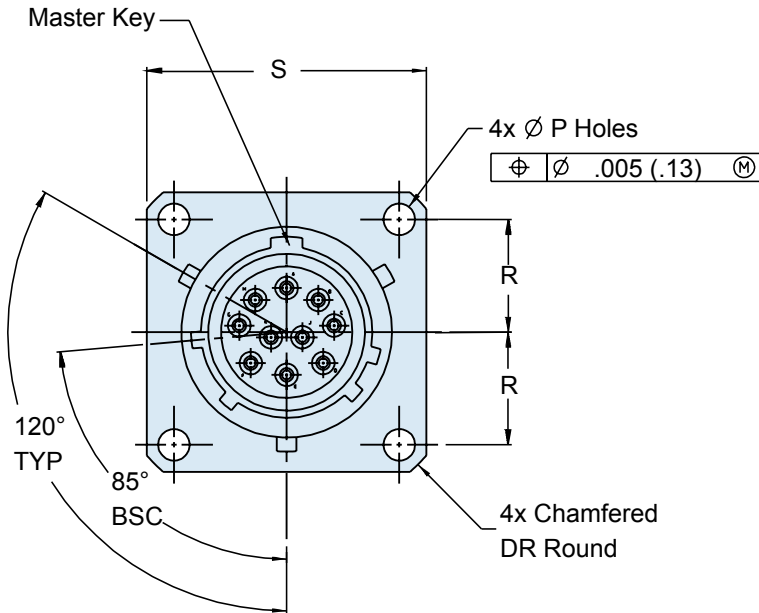
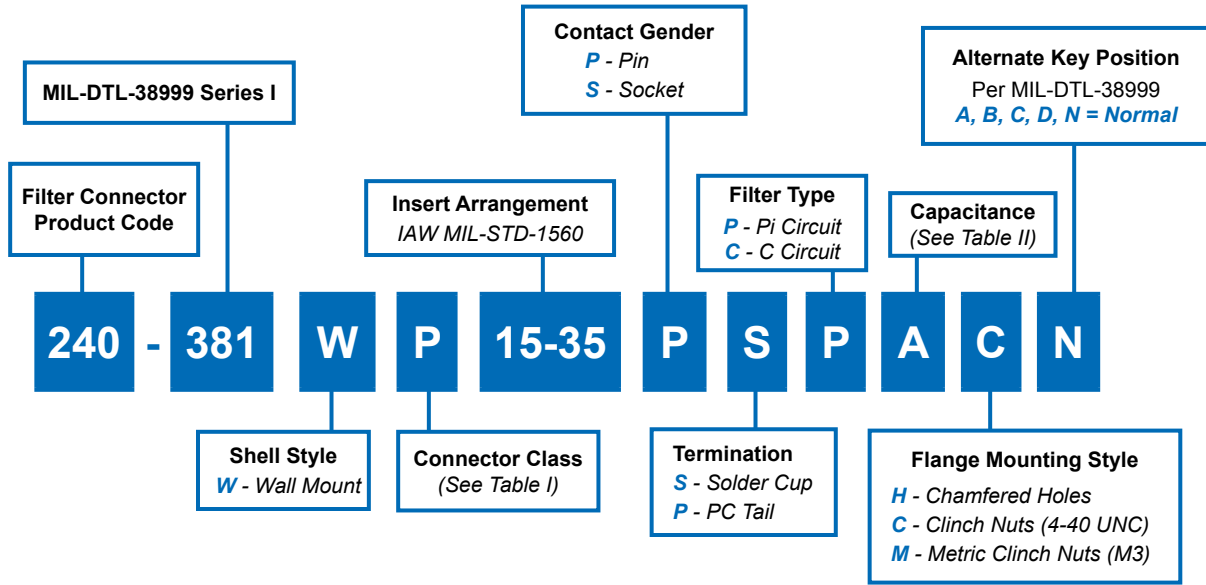


MIL-DTL-38999 Series I Square Flange Panel Cutouts					
Shell Size Code	Shell Size	Ø K Min	Ø L Min	M Holes	N BSC
A	09	.656 (16.7)	.516 (13.1)	.133 (3.4) .123 (3.1)	.719 (18.3)
B	11	.796 (20.2)	.625 (15.9)	.133 (3.4) .123 (3.1)	.812 (20.6)
C	13	.922 (23.4)	.750 (19.1)	.133 (3.4) .123 (3.1)	.906 (23.0)
D	15	1.047 (26.6)	.906 (23.0)	.133 (3.4) .123 (3.1)	.969 (24.6)
E	17	1.219 (31.0)	1.016 (25.8)	.133 (3.4) .123 (3.1)	1.062 (27.0)
F	19	1.297 (32.9)	1.141 (29.0)	.133 (3.4) .123 (3.1)	1.156 (29.4)
G	21	1.422 (36.1)	1.266 (32.2)	.133 (3.4) .123 (3.1)	1.250 (31.8)
H	23	1.547 (39.3)	1.375 (34.9)	.159 (4.0) .149 (3.8)	1.375 (34.9)
J	25	1.672 (42.5)	1.484 (37.7)	.155 (3.9) .145 (3.7)	1.500 (38.1)

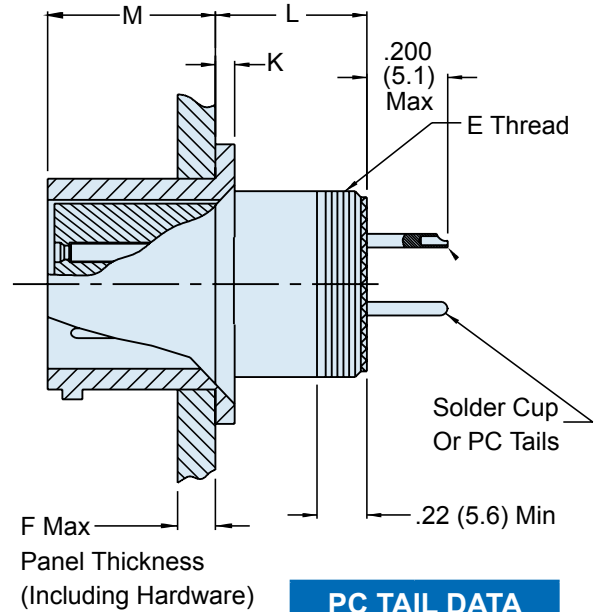
MIL-DTL-38999 Series I Jam Nut Panel Cutout			
SHELL SIZE CODE	SHELL SIZE	Ø H	J
A	09	.710 (18.0) .700 (17.8)	.670 (17.0) .660 (16.8)
B	11	.835 (21.2) .825 (21.0)	.771 (19.6) .761 (19.3)
C	13	1.020 (25.9) 1.010 (25.7)	.955 (24.3) .945 (24.0)
D	15	1.145 (29.1) 1.135 (28.8)	1.085 (27.6) 1.075 (27.3)
E	17	1.270 (32.3) 1.260 (32.0)	1.210 (30.7) 1.200 (30.5)
F	19	1.395 (35.4) 1.385 (35.2)	1.335 (33.9) 1.325 (33.7)
G	21	1.520 (38.6) 1.510 (38.4)	1.460 (37.1) 1.450 (36.8)
H	23	1.645 (41.8) 1.635 (41.5)	1.585 (40.3) 1.575 (40.0)
J	25	1.770 (45.0) 1.760 (44.7)	1.710 (43.4) 1.700 (43.2)

APPLICATION NOTES

- Materials/Finishes: Shells, Barrel, Coupling Nut, Jam Nut - See Table I
Insulators - high grade rigid dielectric/N.A.
Seals - Fluorosilicone
PC Tail & Solder Cup contacts: 50µ" Gold over 50µ" Nickel
- Assembly to be identified with Glenair's name, part number, and date code - space permitting.
- Insert Arrangement in accordance with MIL-STD-1560.
(Arrangement shown for reference only)
- EMI Circular Filter Receptacle connector designed to meet requirements of MIL-STD-2120 and MIL-DTL-38999, Series I.
- All contacts to have identical filter value. Other filter arrangements available, contact factory.
- Electrical Ratings: DWV- 500 VDC Min.; Standard Operating Voltage 200 Volts DC; Current Rating 5 Amps (size 22);
- Insulation Resistance: 5000 MegOhms Min. at 200 VDC.
- Operating Temperature -55°C to +125°C (Env Class Connectors)
- Other filter styles (C-L, L-C, Unbalanced PI, Multi-Stage, Multi-Value) are available, please consult the factory.
- Metric Dimensions (mm) are indicated in parentheses.



W - Wall Mount



PC TAIL DATA	
Contact Size	PC Tail Ø
22D	.020 .018
20	.024 .029
16	.038 .042

240-381W MIL-DTL-38999 Series I Type Filter Connector Wall Mount Receptacle



MIL-DTL-38999 Series I Square Flange Panel Cutouts					
Shell Size Code	Shell Size	∅ K Min	∅ L Min	M Holes	N BSC
A	09	.656 (16.7)	.516 (13.1)	.133 (3.4) .123 (3.1)	.719 (18.3)
B	11	.796 (20.2)	.625 (15.9)	.133 (3.4) .123 (3.1)	.812 (20.6)
C	13	.922 (23.4)	.750 (19.1)	.133 (3.4) .123 (3.1)	.906 (23.0)
D	15	1.047 (26.6)	.906 (23.0)	.133 (3.4) .123 (3.1)	.969 (24.6)
E	17	1.219 (31.0)	1.016 (25.8)	.133 (3.4) .123 (3.1)	1.062 (27.0)
F	19	1.297 (32.9)	1.141 (29.0)	.133 (3.4) .123 (3.1)	1.156 (29.4)
G	21	1.422 (36.1)	1.266 (32.2)	.133 (3.4) .123 (3.1)	1.250 (31.8)
H	23	1.547 (39.3)	1.375 (34.9)	.159 (4.0) .149 (3.8)	1.375 (34.9)
J	25	1.672 (42.5)	1.484 (37.7)	.155 (3.9) .145 (3.7)	1.500 (38.1)

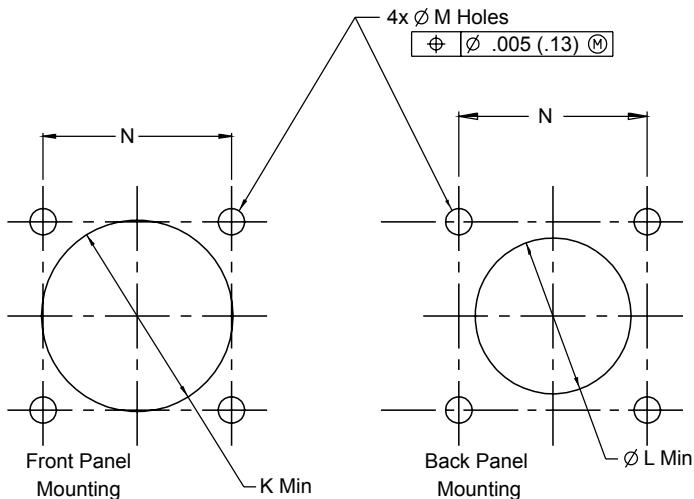


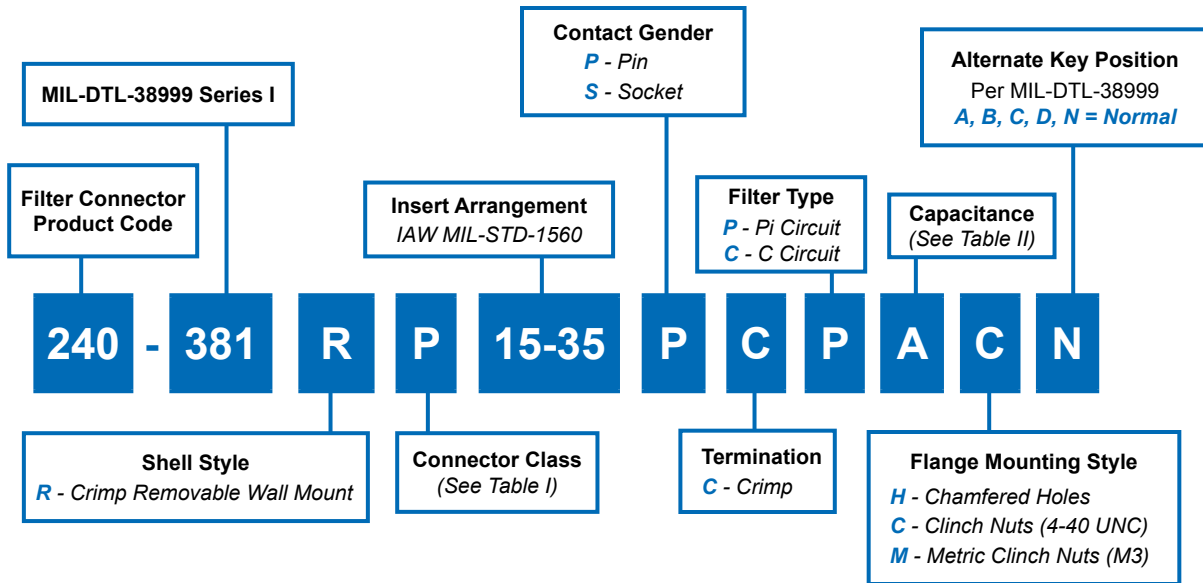
TABLE I: CONNECTOR CLASS			
SYM	CLASS	MATERIAL	FINISH DESCRIPTION
M	Environmental	Aluminum	Electroless Nickel
MT	Environmental	Aluminum	Ni-PTFE 1000 Hour Grey™ Nickel Fluorocarbon Polymer
NF	Environmental	Aluminum	Cadmium O.D. Over Electroless Nickel
P	Environmental	Stainless Steel	Electro-Deposited Nickel
ZN	Environmental	Aluminum	Zinc-Nickel Over Electroless Nickel

TABLE II: CAPACITOR ARRAY CODE CAPACITANCE RANGE		
CLASS	PI - CIRCUIT (pF)	C - CIRCUIT (pF)
X*	160,000 - 240,000	80,000 - 120,000
Y*	80,000 - 120,000	40,000 - 60,000
Z*	60,000 - 90,000	30,000 - 45,000
A	38,000 - 56,000	19,000 - 28,000
B	32,000 - 45,000	16,000 - 22,500
C	18,000 - 33,000	9,000 - 16,500
D	8,000 - 12,000	4,000 - 6,000
E	3,300 - 5,000	1,650 - 2,500
F	800 - 1,300	400 - 650
G	400 - 600	200 - 300

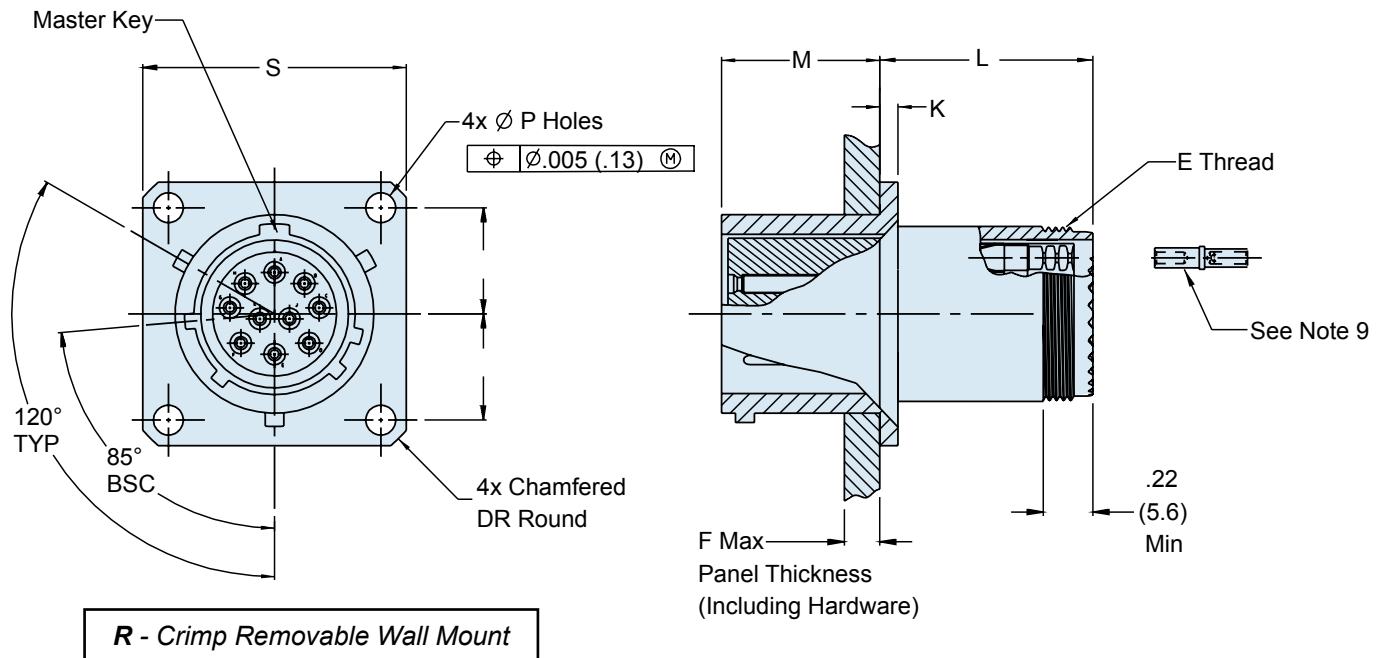
* Reduced DWV – Please consult factory.

DIMENSIONS								
SHELL SIZE	E THREADS	F MAX	K + .015 (.4) - .000 (0)	L MAX	M + .000 (0) - .005 (.13)	∅ P + .010 (.3) - .005 (.13)	R BSC	S +/- .020 (5.1)
9	.6875-24 UNEF-2A	.234 (5.9)	.085 (2.2)	.469 (11.9)	.820 (20.8)	.128 (3.3)	.3595 (9.1)	.938 (23.8)
11	.8125-20 UNEF-2A	.234 (5.9)	.085 (2.2)	.469 (11.9)	.820 (20.8)	.128 (3.3)	.406 (10.3)	1.031 (26.2)
13	.9375-20 UNEF-2A	.234 (5.9)	.085 (2.2)	.469 (11.9)	.820 (20.8)	.128 (3.3)	.453 (11.5)	1.125 (28.6)
15	1.0625-18 UNEF-2A	.234 (5.9)	.085 (2.2)	.469 (11.9)	.820 (20.8)	.128 (3.3)	.4845 (12.3)	1.219 (31.0)
17	1.1875-18 UNEF-2A	.234 (5.9)	.085 (2.2)	.469 (11.9)	.820 (20.8)	.128 (3.3)	.531 (13.5)	1.312 (33.3)
19	1.3125-18 UNEF-2A	.234 (5.9)	.085 (2.2)	.469 (11.9)	.820 (20.8)	.128 (3.3)	.578 (14.7)	1.438 (36.5)
21	1.4375-10 UNEF-2A	.204 (5.2)	.115 (2.9)	.500 (12.7)	.820 (20.8)	.128 (3.3)	.625 (15.9)	1.562 (39.7)
23	1.5625-18 UNEF-2A	.204 (5.2)	.115 (2.9)	.500 (12.7)	.790 (20.1)	.147 (3.7)	.6875 (17.5)	1.688 (42.9)
25	1.6875-18 UNEF-2A	.193 (4.9)	.115 (2.9)	.500 (12.7)	.790 (20.1)	.147 (3.7)	.750 (19.1)	1.688 (42.9)

240-381R MIL-DTL-38999 Series I Type Filter Connector Wall Mount Receptacle with Crimp Removable Socket Contacts



NOTE: Crimp removable socket contacts to conform to MIL-C-39029/57-358, Size 16, MIL-C-39029/57-357 Size 20, and MIL-C-39029/57-354 Size 22D (Supplied loose).



240-381R
MIL-DTL-38999 Series I Type Filter Connector
Wall Mount Receptacle
with Crimp Removable Socket Contacts



MIL-DTL-38999 Series I Square Flange Panel Cutouts					
Shell Size Code	Shell Size	∅ K Min	∅ L Min	M Holes	N BSC
A	09	.656 (16.7)	.516 (13.1)	.133 (3.4) .123 (3.1)	.719 (18.3)
B	11	.796 (20.2)	.625 (15.9)	.133 (3.4) .123 (3.1)	.812 (20.6)
C	13	.922 (23.4)	.750 (19.1)	.133 (3.4) .123 (3.1)	.906 (23.0)
D	15	1.047 (26.6)	.906 (23.0)	.133 (3.4) .123 (3.1)	.969 (24.6)
E	17	1.219 (31.0)	1.016 (25.8)	.133 (3.4) .123 (3.1)	1.062 (27.0)
F	19	1.297 (32.9)	1.141 (29.0)	.133 (3.4) .123 (3.1)	1.156 (29.4)
G	21	1.422 (36.1)	1.266 (32.2)	.133 (3.4) .123 (3.1)	1.250 (31.8)
H	23	1.547 (39.3)	1.375 (34.9)	.159 (4.0) .149 (3.8)	1.375 (34.9)
J	25	1.672 (42.5)	1.484 (37.7)	.155 (3.9) .145 (3.7)	1.500 (38.1)

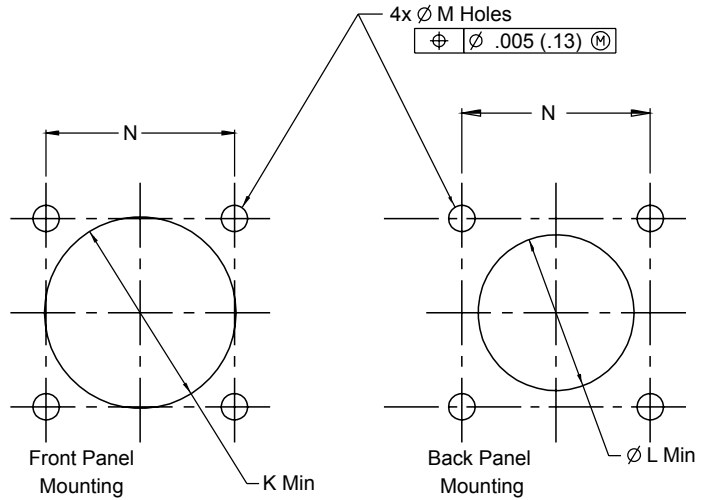


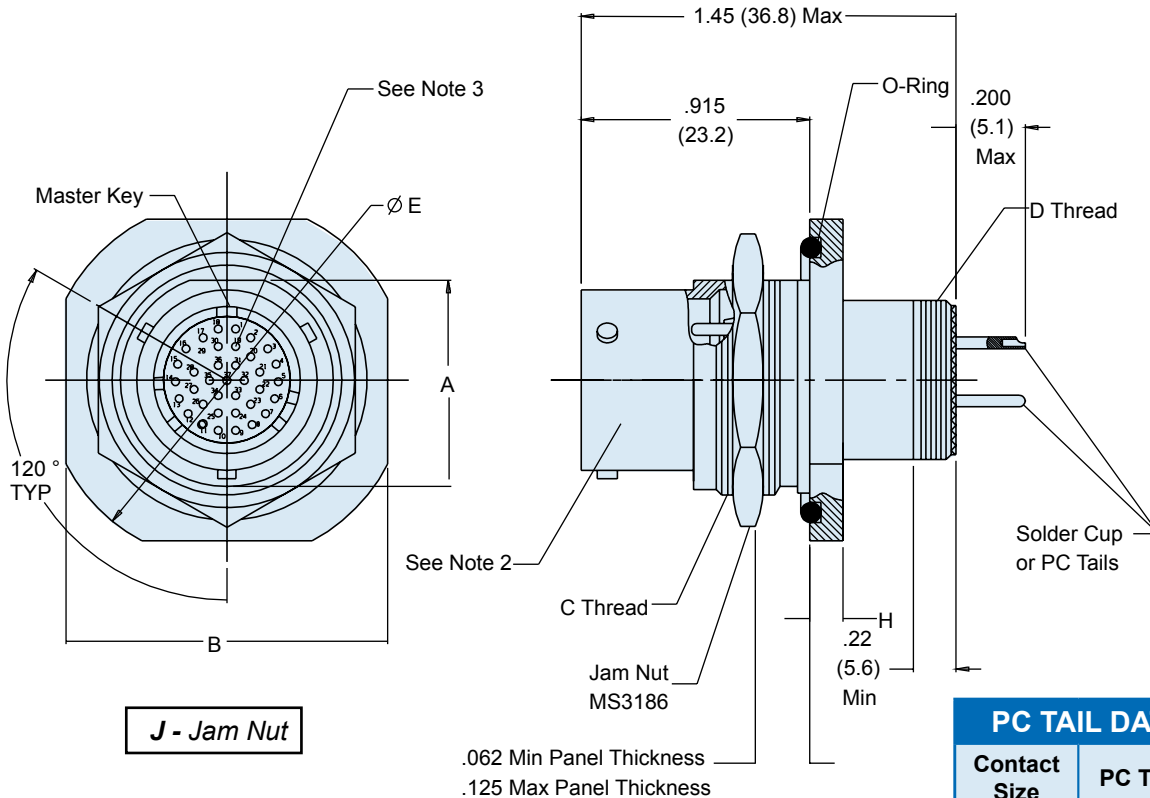
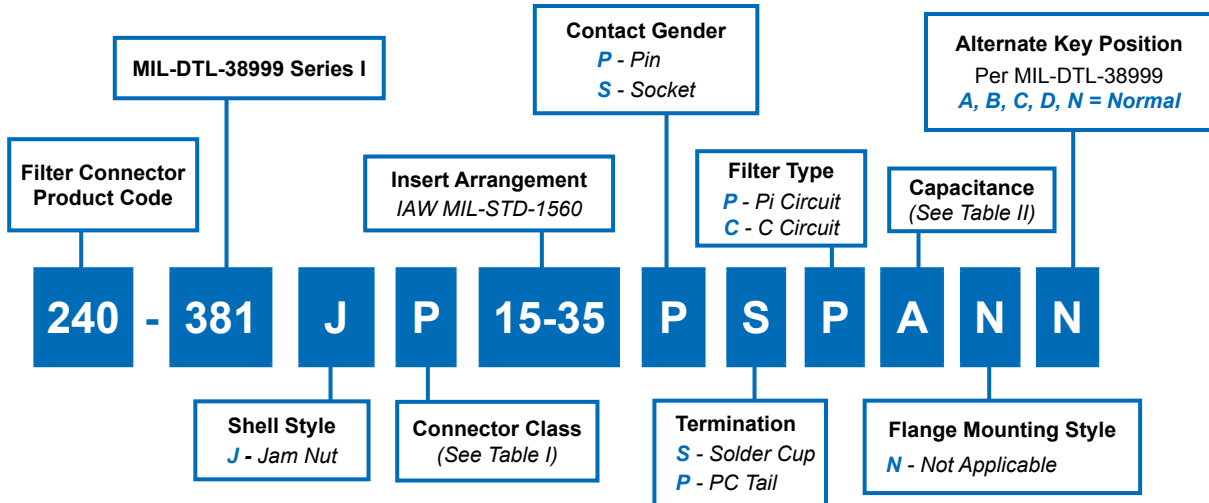
TABLE I: CONNECTOR CLASS			
SYM	CLASS	MATERIAL	FINISH DESCRIPTION
M	Environmental	Aluminum	Electroless Nickel
MT	Environmental	Aluminum	Ni-PTFE 1000 Hour Grey™ Nickel Fluorocarbon Polymer
NF	Environmental	Aluminum	Cadmium O.D. Over Electroless Nickel
P	Environmental	Stainless Steel	Electro-Deposited Nickel
ZN	Environmental	Aluminum	Zinc-Nickel Over Electroless Nickel

TABLE II: CAPACITOR ARRAY CODE CAPACITANCE RANGE		
CLASS	PI - CIRCUIT (pF)	C - CIRCUIT (pF)
X*	160,000 - 240,000	80,000 - 120,000
Y*	80,000 - 120,000	40,000 - 60,000
Z*	60,000 - 90,000	30,000 - 45,000
A	38,000 - 56,000	19,000 - 28,000
B	32,000 - 45,000	16,000 - 22,500
C	18,000 - 33,000	9,000 - 16,500
D	8,000 - 12,000	4,000 - 6,000
E	3,300 - 5,000	1,650 - 2,500
F	800 - 1,300	400 - 650
G	400 - 600	200 - 300

* Reduced DWV – Please consult factory.

DIMENSIONS								
SHELL SIZE	E THREADS	F MAX	K + .015 (.4) - .000 (0)	L MAX	M + .000 (0) - .005 (.13)	∅ P + .010 (.3) - .005 (.13)	R BSC	S +/- .020 (5.1)
9	.6875-24 UNEF-2A	.234 (5.9)	.085 (2.2)	1.170 (29.7)	.820 (20.8)	.128 (3.3)	.3595 (9.1)	.938 (23.8)
11	.8125-20 UNEF-2A	.234 (5.9)	.085 (2.2)	1.170 (29.7)	.820 (20.8)	.128 (3.3)	.406 (10.3)	1.031 (26.2)
13	.9375-20 UNEF-2A	.234 (5.9)	.085 (2.2)	1.170 (29.7)	.820 (20.8)	.128 (3.3)	.453 (11.5)	1.125 (28.6)
15	1.0625-18 UNEF-2A	.234 (5.9)	.085 (2.2)	1.170 (29.7)	.820 (20.8)	.128 (3.3)	.4845 (12.3)	1.219 (31.0)
17	1.1875-18 UNEF-2A	.234 (5.9)	.085 (2.2)	1.170 (29.7)	.820 (20.8)	.128 (3.3)	.531 (13.5)	1.312 (33.3)
19	1.3125-18 UNEF-2A	.234 (5.9)	.085 (2.2)	1.170 (29.7)	.820 (20.8)	.128 (3.3)	.578 (14.7)	1.438 (36.5)
21	1.4375-10 UNEF-2A	.204 (5.2)	.115 (2.9)	1.200 (30.48)	.820 (20.8)	.128 (3.3)	.625 (15.9)	1.562 (39.7)
23	1.5625-18 UNEF-2A	.204 (5.2)	.115 (2.9)	1.200 (30.48)	.790 (20.1)	.147 (3.7)	.6875 (17.5)	1.688 (42.9)
25	1.6875-18 UNEF-2A	.193 (4.9)	.115 (2.9)	1.200 (30.48)	.790 (20.1)	.147 (3.7)	.750 (19.1)	1.688 (42.9)

240-381J MIL-DTL-38999 Series I Type Filter Connector Jam Nut Receptacle



J - Jam Nut

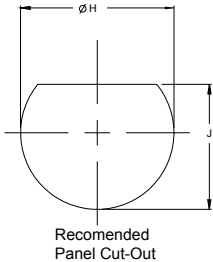
PC TAIL DATA	
Contact Size	PC Tail Ø
22D	.020
	.018
20	.024
	.029
16	.038
	.042

240-381J MIL-DTL-38999 Series I Type Filter Connector Jam Nut Receptacle



**TABLE II: CAPACITOR ARRAY CODE
CAPACITANCE RANGE**

CLASS	PI - CIRCUIT (pF)	C - CIRCUIT (pF)
X*	160,000 - 240,000	80,000 - 120,000
Y*	80,000 - 120,000	40,000 - 60,000
Z*	60,000 - 90,000	30,000 - 45,000
A	38,000 - 56,000	19,000 - 28,000
B	32,000 - 45,000	16,000 - 22,500
C	18,000 - 33,000	9,000 - 16,500
D	8,000 - 12,000	4,000 - 6,000
E	3,300 - 5,000	1,650 - 2,500
F	800 - 1,300	400 - 650
G	400 - 600	200 - 300



* Reduced DWV – Please consult factory.

**MIL-DTL-38999 Series I
Jam Nut Panel Cutout**

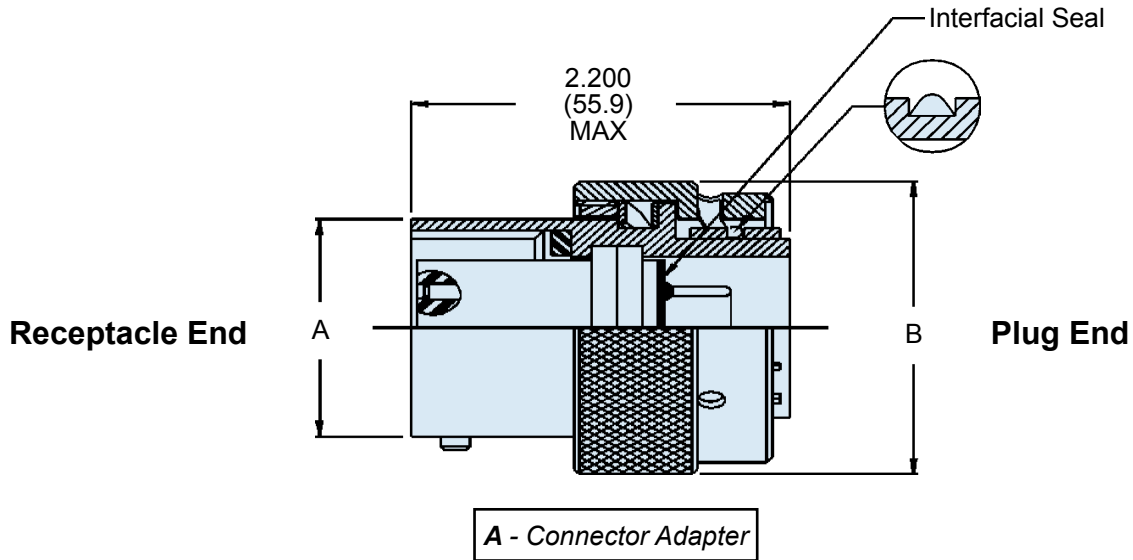
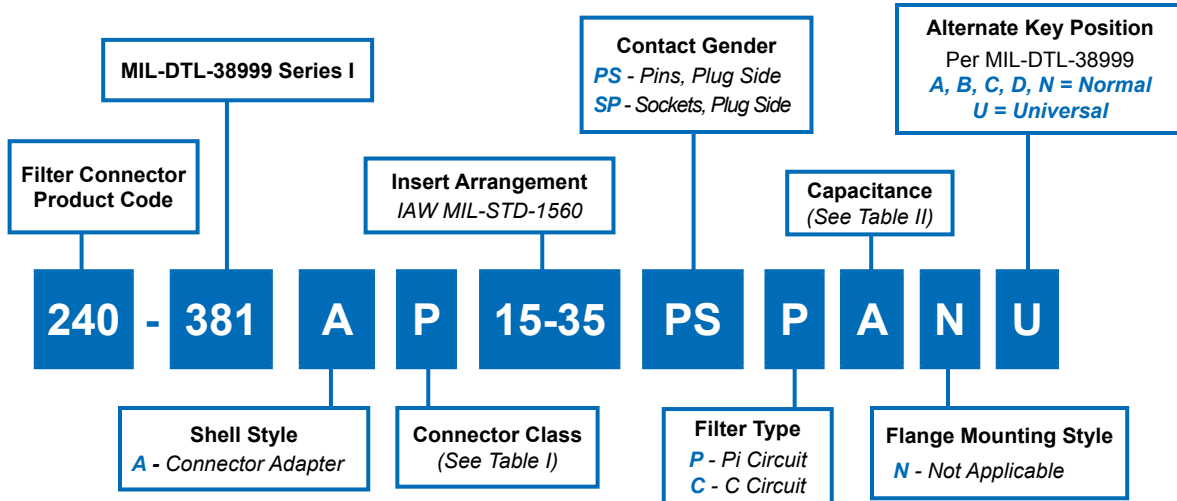
SHELL SIZE CODE	SHELL SIZE	Ø H	J
A	09	.710 (18.0)	.670 (17.0)
		.700 (17.8)	.660 (16.8)
B	11	.835 (21.2)	.771 (19.6)
		.825 (21.0)	.761 (19.3)
C	13	1.020 (25.9)	.955 (24.3)
		1.010 (25.7)	.945 (24.0)
D	15	1.145 (29.1)	1.085 (27.6)
		1.135 (28.8)	1.075 (27.3)
E	17	1.270 (32.3)	1.210 (30.7)
		1.260 (32.0)	1.200 (30.5)
F	19	1.395 (35.4)	1.335 (33.9)
		1.385 (35.2)	1.325 (33.7)
G	21	1.520 (38.6)	1.460 (37.1)
		1.510 (38.4)	1.450 (36.8)
H	23	1.645 (41.8)	1.585 (40.3)
		1.635 (41.5)	1.575 (40.0)
J	25	1.770 (45.0)	1.710 (43.4)
		1.760 (44.7)	1.700 (43.2)

TABLE I: CONNECTOR CLASS

SYM	CLASS	MATERIAL	FINISH DESCRIPTION
M	Environmental	Aluminum	Electroless Nickel
MT	Environmental	Aluminum	Ni-PTFE 1000 Hour Grey™ Nickel Fluorocarbon Polymer
NF	Environmental	Aluminum	Cadmium O.D. Over Electroless Nickel
P	Environmental	Stainless Steel	Electro-Deposited Nickel
ZN	Environmental	Aluminum	Zinc-Nickel Over Electroless Nickel

DIMENSIONS

SHELL SIZE	A	B	C THREAD CLASS 2A UNEF PLATED	D THREAD CLASS 2A UNEF PLATED	E DIA	F	G DIA	H
9	.855 (21.7)	1.078 (27.4)	.6875-24	.4375-28	1.188 (30.2)	.670 (17.0)	.709 (18.0)	.120 (3.0)
	.645 (16.4)	1.046 (26.6)				.661 (16.8)	.700 (17.8)	.100 (2.5)
11	.755 (19.2)	1.266 (32.2)	.8125-20	.5625-24	1.375 (34.9)	.771 (19.6)	.834 (21.2)	.120 (3.0)
	.745 (18.9)	1.234 (31.3)				.762 (19.4)	.825 (21.0)	.100 (2.5)
13	.942 (23.9)	1.391 (35.3)	1.0000-20	.8875-24	1.500 (38.1)	.955 (24.3)	1.019 (25.9)	.120 (3.0)
	.932 (23.7)	1.359 (34.5)				.946 (24.0)	1.010 (25.7)	.100 (2.5)
15	1.066 (27.1)	1.516 (38.5)	1.1250-18	.8125-20	1.625 (41.3)	1.085 (27.6)	1.144 (29.1)	.120 (3.0)
	1.056 (26.8)	1.484 (37.7)				1.076 (27.3)	1.135 (28.8)	.100 (2.5)
17	1.191 (30.3)	1.641 (41.7)	1.2500-18	.9375-20	1.750 (44.5)	1.210 (30.7)	1.269 (32.2)	.120 (3.0)
	1.181 (30.0)	1.609 (40.9)				1.201 (30.5)	1.260 (32.0)	.100 (2.5)
19	1.316 (33.4)	1.828 (46.4)	1.3750-18	1.0625-18	1.938 (49.2)	1.335 (33.9)	1.394 (35.4)	.151 (3.8)
	1.306 (33.2)	1.796 (45.6)				1.326 (33.7)	1.385 (35.2)	.130 (3.3)
21	1.441 (36.6)	1.954 (49.6)	1.5000-18	1.1875-18	2.062 (52.4)	1.460 (37.1)	1.519 (38.6)	.151 (3.8)
	1.431 (36.3)	1.922 (48.8)				1.451 (36.9)	1.510 (38.4)	.130 (3.3)
23	1.566 (39.8)	2.078 (52.8)	1.6250-18	1.3125-18	2.188 (55.6)	1.585 (40.3)	1.644 (41.8)	.151 (3.8)
	1.556 (39.5)	2.046 (52.0)				1.578 (40.1)	1.635 (41.5)	.130 (3.3)
25	1.691 (43.0)	2.204 (56.0)	1.7500-18	1.4375-18	2.312 (58.7)	1.710 (43.4)	1.769 (44.9)	.151 (3.8)
	1.681 (42.7)	2.172 (55.2)				1.701 (43.2)	1.760 (44.7)	.130 (3.3)



* Please consult factory for Pin/Pin and/or Socket/Socket contact arrangements.

240-381A
MIL-DTL-38999 Series I Filter Connector
Connector Adapter



TABLE I: CONNECTOR CLASS

SYM	CLASS	MATERIAL	FINISH DESCRIPTION
M	Environmental	Aluminum	Electroless Nickel
MT	Environmental	Aluminum	Ni-PTFE 1000 Hour Grey™ Nickel Fluorocarbon Polymer)
NF	Environmental	Aluminum	Cadmium O.D. Over Electroless Nickel
P	Environmental	Stainless Steel	Electro-Deposited Nickel
ZN	Environmental	Aluminum	Zinc-Nickel Over Electroless Nickel

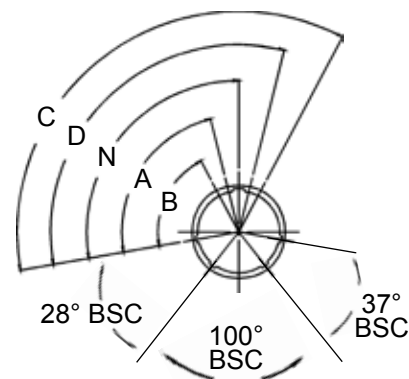
TABLE II: CAPACITOR ARRAY CODE CAPACITANCE RANGE

CLASS	PI - CIRCUIT (pF)	C - CIRCUIT (pF)
X*	160,000 - 240,000	80,000 - 120,000
Y*	80,000 - 120,000	40,000 - 60,000
Z*	60,000 - 90,000	30,000 - 45,000
A	38,000 - 56,000	19,000 - 28,000
B	32,000 - 45,000	16,000 - 22,500
C	18,000 - 33,000	9,000 - 16,500
D	8,000 - 12,000	4,000 - 6,000
E	3,300 - 5,000	1,650 - 2,500
F	800 - 1,300	400 - 650
G	400 - 600	200 - 300

* Reduced DWV – Please consult factory.

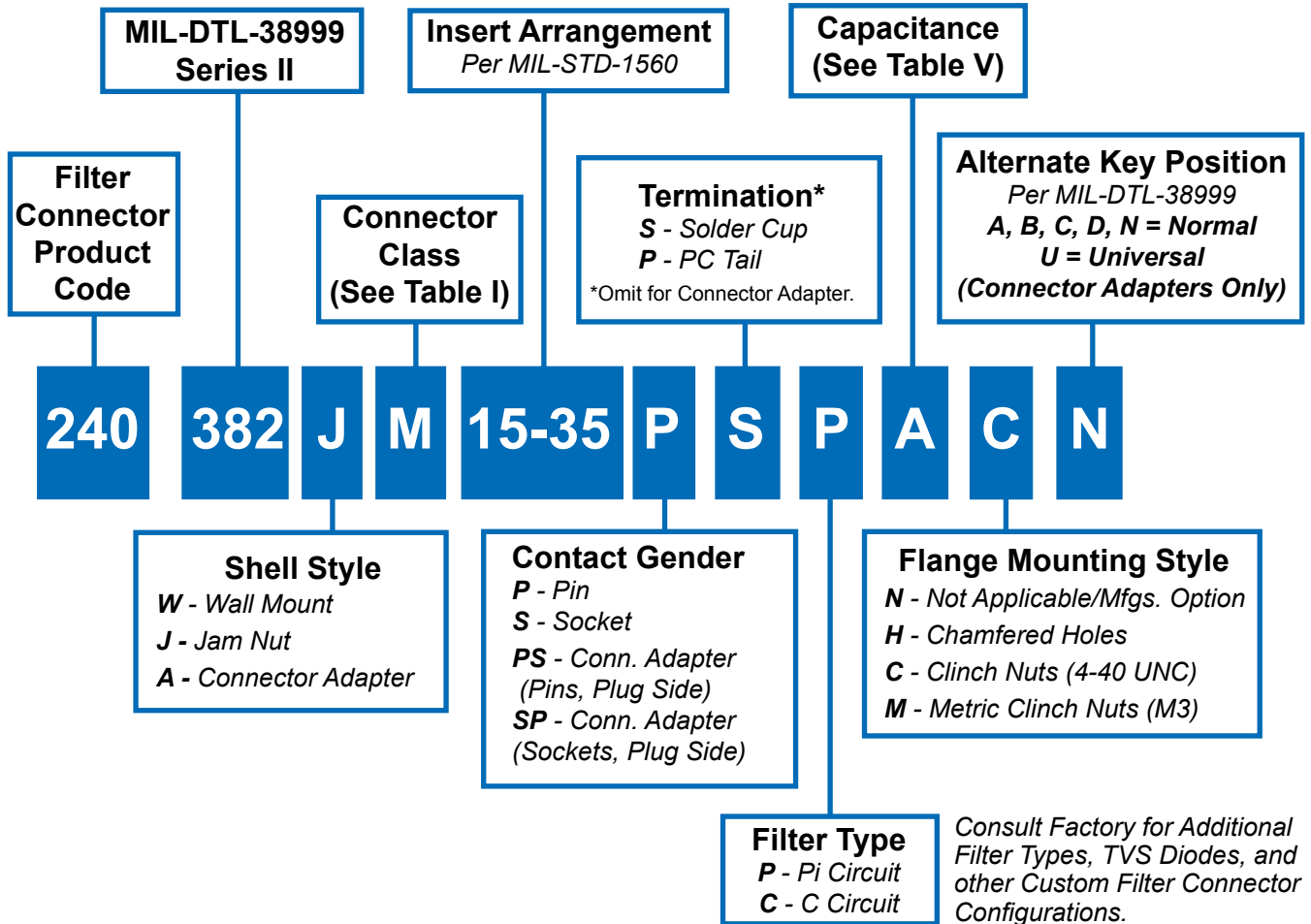
SHELL DIAMETER

Shell Size	A Max	B Max
09	.573 (14.6)	.910 (23.1)
11	.701 (17.8)	1.035 (26.3)
13	.851 (21.6)	1.210 (30.7)
15	.976 (24.8)	1.330 (33.8)
17	1.101 (28.0)	1.455 (37.0)
19	1.208 (30.7)	1.570 (39.9)
21	1.333 (33.9)	1.695 (43.1)
23	1.458 (37.0)	1.800 (45.7)
25	1.583 (40.2)	1.925 (48.9)



MASTER KEY POSITION

NORMAL	A°	B°	C°	D°
100°	79°	66°	134°	121°


TABLE I: CONNECTOR CLASS

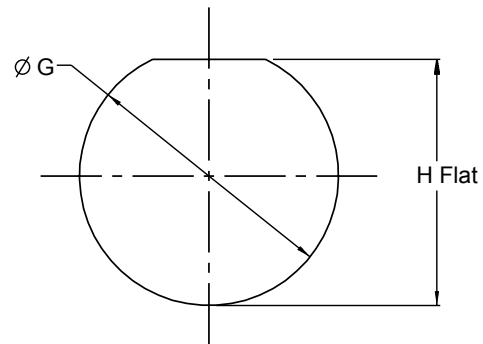
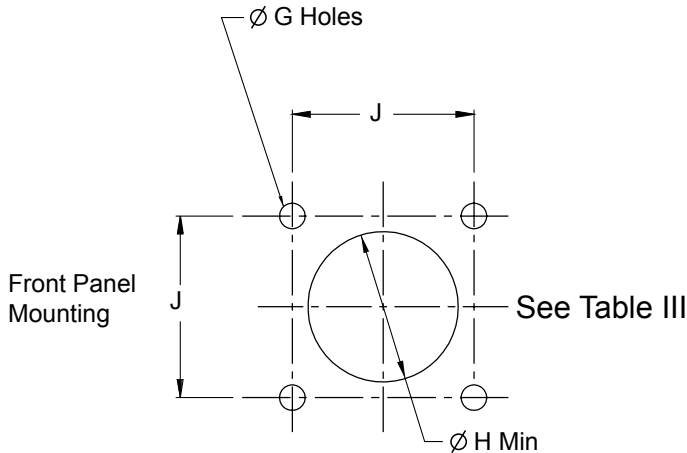
SYM	CLASS	MATERIAL	FINISH DESCRIPTION
M	Environmental	Aluminum	Electroless Nickel
MT	Environmental	Aluminum	Ni-PTFE 1000 Hour Grey™ Nickel Fluorocarbon Polymer
NF	Environmental	Aluminum	Cadmium O.D. Over Electroless Nickel
P	Environmental	Stainless Steel	Electro-Deposited Nickel
ZN	Environmental	Aluminum	Zinc-Nickel Over Electroless Nickel
H2	Hermetic	Stainless Steel	Electroless Nickel

**TABLE II: CAPACITOR ARRAY CODE
CAPACITANCE RANGE**

CLASS	PI - CIRCUIT (pF)	C - CIRCUIT (pF)
X*	160,000 - 240,000	80,000 - 120,000
Y*	80,000 - 120,000	40,000 - 60,000
Z*	60,000 - 90,000	30,000 - 45,000
A	38,000 - 56,000	19,000 - 28,000
B	32,000 - 45,000	16,000 - 22,500
C	18,000 - 33,000	9,000 - 16,500
D	8,000 - 12,000	4,000 - 6,000
E	3,300 - 5,000	1,650 - 2,500
F	800 - 1,300	400 - 650
G	400 - 600	200 - 300

* Reduced DWV – Please consult factory.

Glenair MIL-DTL-38999 Series II Type Low-Profile Filter Connector with Bayonet Coupling Reference Information



**TABLE III: SQUARE FLANGE
PANEL CUT-OUTS**

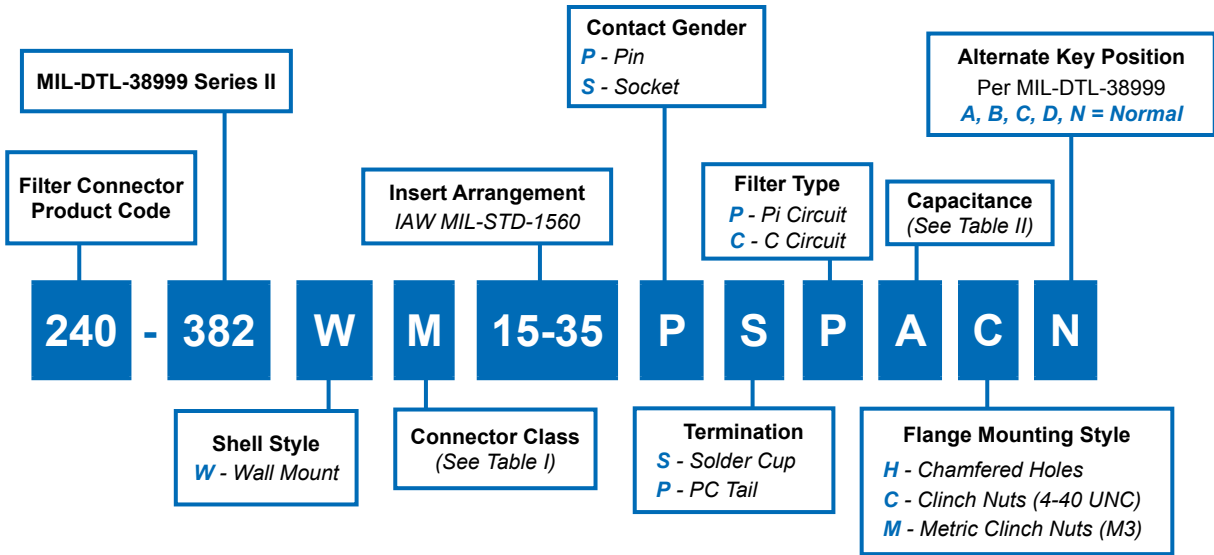
Shell Size	$\varnothing G$ Holes	$\varnothing H$ Min	$\varnothing J$ BSC
8	.133 (3.4)	.570	.594
	.123 (3.1)	(14.5)	(15.1)
10	.133 (3.4)	.690	.719
	.123 (3.1)	(17.5)	(18.3)
12	.133 (3.4)	.820	.812
	.123 (3.1)	(20.8)	(20.6)
14	.133 (3.4)	.940	.906
	.123 (3.1)	(23.9)	(23.0)
16	.133 (3.4)	1.070	.969
	.123 (3.1)	(27.2)	(24.6)
18	.133 (3.4)	1.190	1.062
	.123 (3.1)	(30.2)	(27.0)
20	.133 (3.4)	1.320	1.156
	.123 (3.1)	(33.5)	(29.4)
22	.159 (4.0)	1.440	1.250
	.149 (3.8)	(36.6)	(31.8)
24	.159 (4.0)	1.570	1.375
	.149 (3.8)	(39.9)	(34.9)

**PANEL IV: JAM-NUT
PANEL CUT-OUTS**

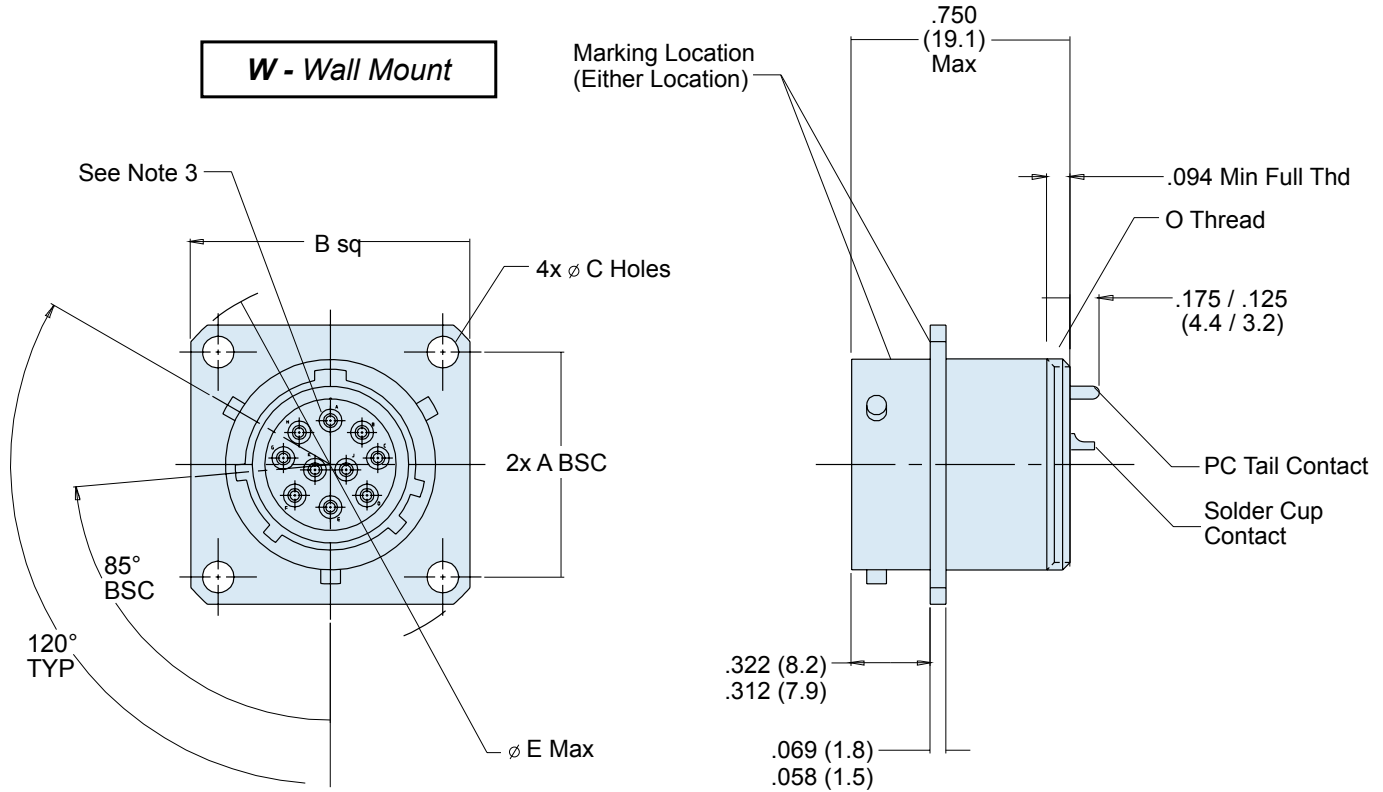
SHELL SIZE	$\varnothing G$	H Flat
08	.894 (22.7)	.833 (21.2)
	.884 (22.5)	.823 (20.9)
10	1.020 (25.9)	.957 (24.3)
	1.010 (25.7)	.947 (24.1)
12	1.144 (29.1)	1.081 (27.5)
	1.134 (28.8)	1.071 (27.2)
14	1.269 (32.2)	1.206 (30.6)
	1.259 (32.0)	1.196 (30.4)
16	1.394 (35.4)	1.336 (33.9)
	1.384 (35.2)	1.326 (33.7)
18	1.520 (38.6)	1.456 (37.0)
	1.510 (38.4)	1.446 (36.7)
20	1.645 (41.8)	1.581 (40.2)
	1.635 (41.5)	1.571 (39.9)
22	1.750 (44.5)	1.706 (43.3)
	1.740 (44.2)	1.696 (43.1)
24	1.895 (48.1)	1.831 (46.5)
	1.885 (47.9)	1.821 (46.3)

APPLICATION NOTES

- Materials/Finishes: Shells, Barrel, Coupling Nut, Jam Nut - See Table I
Insulators - high grade rigid dielectric/N.A.
Seals - Fluorosilicone
PC Tail & Solder Cup contacts: 50 μ " Gold over 50 μ " Nickel
- Assembly to be identified with Glenair's name, part number, and date code - space permitting.
- Insert Arrangement in accordance with MIL-STD-1560.
(Arrangement shown for reference only)
- EMI Circular Filter Receptacle connector designed to meet requirements of MIL-STD-2120 and MIL-DTL-38999, Series II.
- All contacts to have identical filter value. Other filter arrangements available, contact factory.
- Electrical Ratings: DWV- 500 VDC Min.; Standard Operating Voltage 200 Volts DC; Current Rating 5 Amps (size 22);
- Insulation Resistance: 5000 MegOhms Min. at 200 VDC.
- Operating Temperature -55°C to +125°C (Env Class Connectors)
- Other filter styles (C-L, L-C, Unbalanced PI, Multi-Stage, Multi-Value) are available, please consult the factory.
- Metric Dimensions (mm) are indicated in parentheses.



C



240-382W
MIL-DTL-38999 Series II Filter Connector
Wall Mount Receptacle

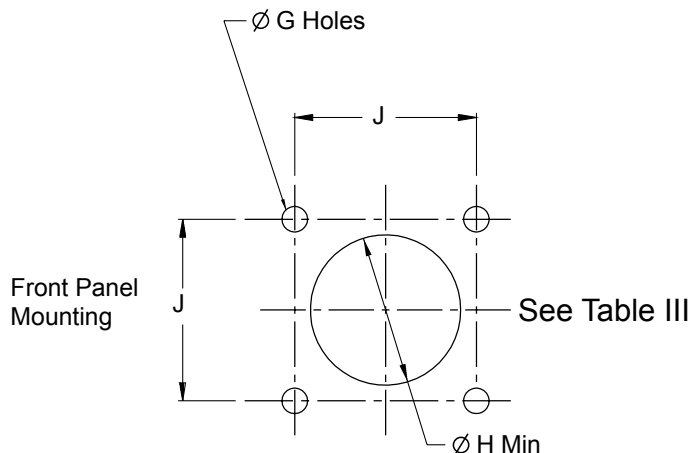


TABLE I: CONNECTOR CLASS

SYM	CLASS	MATERIAL	FINISH DESCRIPTION
M	Environmental	Aluminum	Electroless Nickel
MT	Environmental	Aluminum	Ni-PTFE 1000 Hour Grey™ Nickel Fluorocarbon Polymer
NF	Environmental	Aluminum	Cadmium O.D. Over Electroless Nickel
P	Environmental	Stainless Steel	Electro-Deposited Nickel
ZN	Environmental	Aluminum	Zinc-Nickel Over Electroless Nickel

TABLE II: CAPACITOR ARRAY CODE
CAPACITANCE RANGE

CLASS	PI - CIRCUIT (pF)	C - CIRCUIT (pF)
X*	160,000 - 240,000	80,000 - 120,000
Y*	80,000 - 120,000	40,000 - 60,000
Z*	60,000 - 90,000	30,000 - 45,000
A	38,000 - 56,000	19,000 - 28,000
B	32,000 - 45,000	16,000 - 22,500
C	18,000 - 33,000	9,000 - 16,500
D	8,000 - 12,000	4,000 - 6,000
E	3,300 - 5,000	1,650 - 2,500
F	800 - 1,300	400 - 650
G	400 - 600	200 - 300

* Reduced DWV – Please consult factory.

Consult Factory for Additional Filter Types,
TVS Diodes, and other Custom Filter
Connector Configurations.

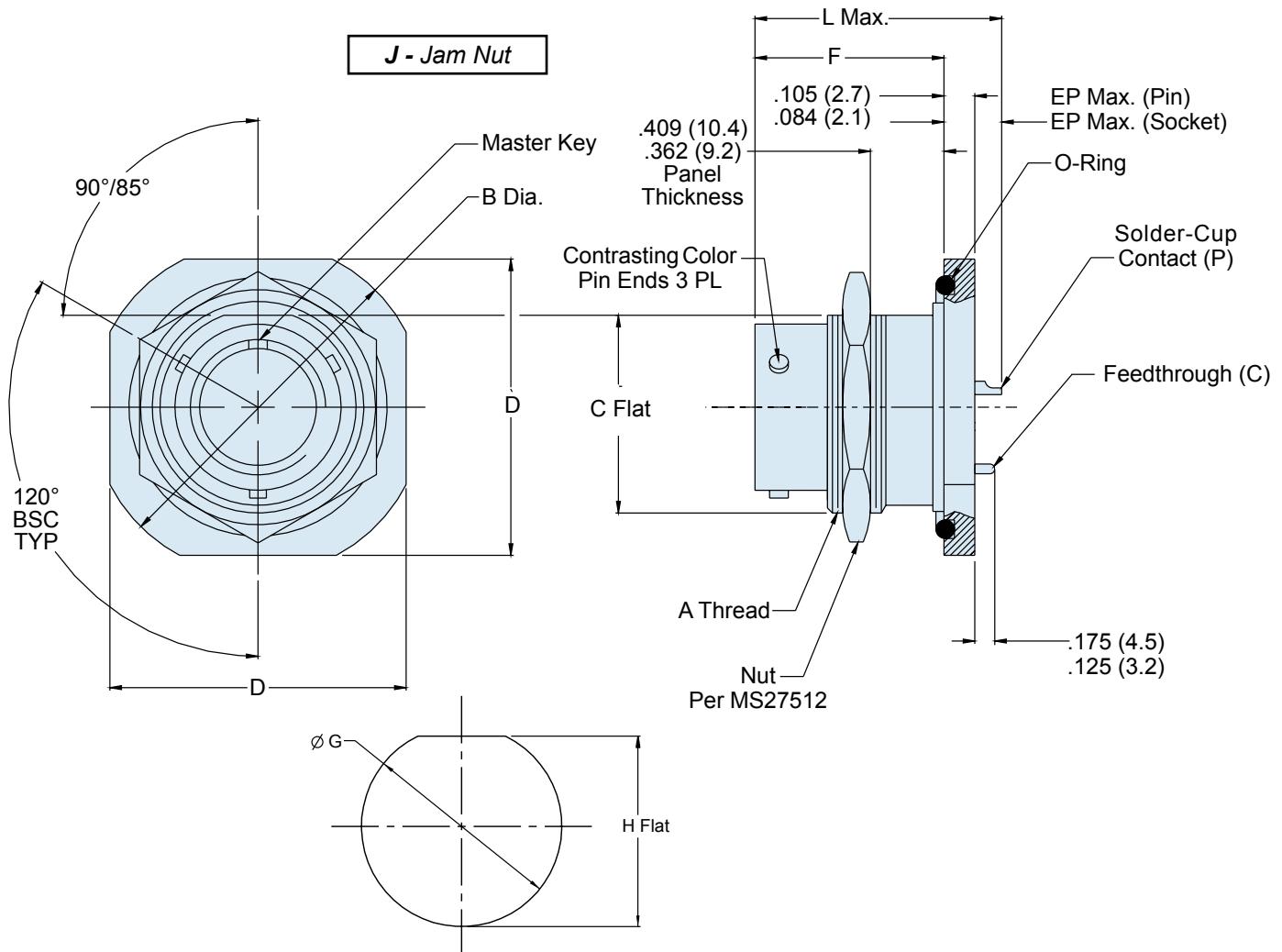
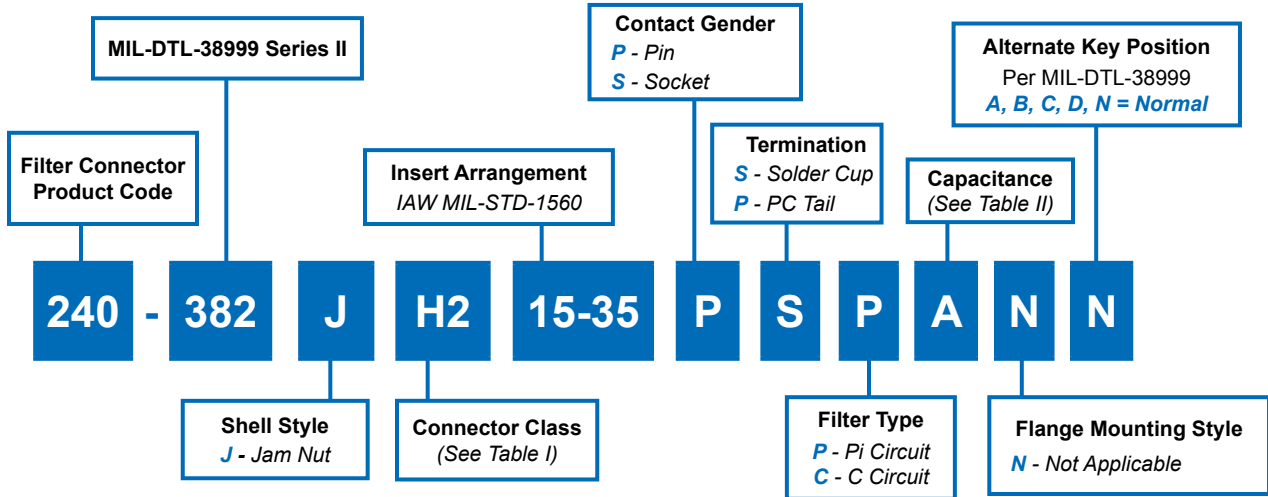
TABLE III: SQUARE FLANGE
PANEL CUT-OUTS

Shell Size	Ø G Holes	Ø H Min	Ø J BSC
8	.133 (3.4)	.570	.594
	.123 (3.1)	(14.5)	(15.1)
10	.133 (3.4)	.690	.719
	.123 (3.1)	(17.5)	(18.3)
12	.133 (3.4)	.820	.812
	.123 (3.1)	(20.8)	(20.6)
14	.133 (3.4)	.940	.906
	.123 (3.1)	(23.9)	(23.0)
16	.133 (3.4)	1.070	.969
	.123 (3.1)	(27.2)	(24.6)
18	.133 (3.4)	1.190	1.062
	.123 (3.1)	(30.2)	(27.0)
20	.133 (3.4)	1.320	1.156
	.123 (3.1)	(33.5)	(29.4)
22	.159 (4.0)	1.440	1.250
	.149 (3.8)	(36.6)	(31.8)
24	.159 (4.0)	1.570	1.375
	.149 (3.8)	(39.9)	(34.9)

TABLE IV: CONNECTOR DIMENSIONS

Shell Size	A BSC	B SQ Max	Ø C Holes	D Threads	Ø E Max
8	0.594 (15.1)	0.828 (21.0)	.130 (3.3) .115 (2.9)	.5625-24 UNEF-2A	1.078 (27.4)
	0.719 (18.3)	0.954 (24.2)	.130 (3.3) .115 (2.9)	.6875-24 UNEF-2A	1.256 (31.9)
12	0.812 (20.6)	1.047 (26.6)	.130 (3.3) .115 (2.9)	.8125-20 UNEF-2A	1.391 (35.3)
	0.906 (23.0)	1.141 (29.0)	.130 (3.3) .115 (2.9)	.9375-20 UNEF-2A	1.516 (38.5)
16	0.969 (24.6)	1.234 (31.3)	.130 (3.3) .115 (2.9)	1.0625-18 UNEF-2A	1.641 (41.7)
	1.062 (27.0)	1.328 (33.7)	.130 (3.3) .115 (2.9)	1.1875-18 UNEF-2A	1.766 (44.9)
20	1.156 (29.4)	1.453 (36.9)	.130 (3.3) .115 (2.9)	1.3125-18 UNEF-2A	1.891 (48.0)
	1.25 (31.8)	1.578 (40.1)	.130 (3.3) .115 (2.9)	1.4375-10 UNEF-2A	2.016 (51.2)
24	1.375 (34.9)	1.703 (43.3)	.157 (4.0) .142 (3.6)	1.5625-18 UNEF-2A	2.204 (56.0)

240-382J (Hermetic Version Shown) MIL-DTL-38999 Series II Filter Connector Jam Nut Receptacle



**240-382J (Hermetic Version Shown)
MIL-DTL-38999 Series II Filter Connector
Jam Nut Receptacle**



TABLE I: CONNECTOR CLASS

SYM	CLASS	MATERIAL	FINISH DESCRIPTION
M	Environmental	Aluminum	Electroless Nickel
MT	Environmental	Aluminum	Ni-PTFE 1000 Hour Grey™ Nickel Fluorocarbon Polymer
NF	Environmental	Aluminum	Cadmium O.D. Over Electroless Nickel
P	Environmental	Stainless Steel	Electro-Deposited Nickel
ZN	Environmental	Aluminum	Zinc-Nickel Over Electroless Nickel
H2	Hermetic	Stainless Steel	Electroless Nickel

**PANEL IV: JAM-NUT
PANEL CUT-OUTS**

SHELL SIZE	Ø G	H Flat
08	.894 (22.7)	.833 (21.2)
	.884 (22.5)	.823 (20.9)
10	1.020 (25.9)	.957 (24.3)
	1.010 (25.7)	.947 (24.1)
12	1.144 (29.1)	1.081 (27.5)
	1.134 (28.8)	1.071 (27.2)
14	1.269 (32.2)	1.206 (30.6)
	1.259 (32.0)	1.196 (30.4)
16	1.394 (35.4)	1.336 (33.9)
	1.384 (35.2)	1.326 (33.7)
18	1.520 (38.6)	1.456 (37.0)
	1.510 (38.4)	1.446 (36.7)
20	1.645 (41.8)	1.581 (40.2)
	1.635 (41.5)	1.571 (39.9)
22	1.750 (44.5)	1.706 (43.3)
	1.740 (44.2)	1.696 (43.1)
24	1.895 (48.1)	1.831 (46.5)
	1.885 (47.9)	1.821 (46.3)

**TABLE II: CAPACITOR ARRAY CODE
CAPACITANCE RANGE**

CLASS	PI - CIRCUIT (pF)	C - CIRCUIT (pF)
X*	160,000 - 240,000	80,000 - 120,000
Y*	80,000 - 120,000	40,000 - 60,000
Z*	60,000 - 90,000	30,000 - 45,000
A	38,000 - 56,000	19,000 - 28,000
B	32,000 - 45,000	16,000 - 22,500
C	18,000 - 33,000	9,000 - 16,500
D	8,000 - 12,000	4,000 - 6,000
E	3,300 - 5,000	1,650 - 2,500
F	800 - 1,300	400 - 650
G	400 - 600	200 - 300

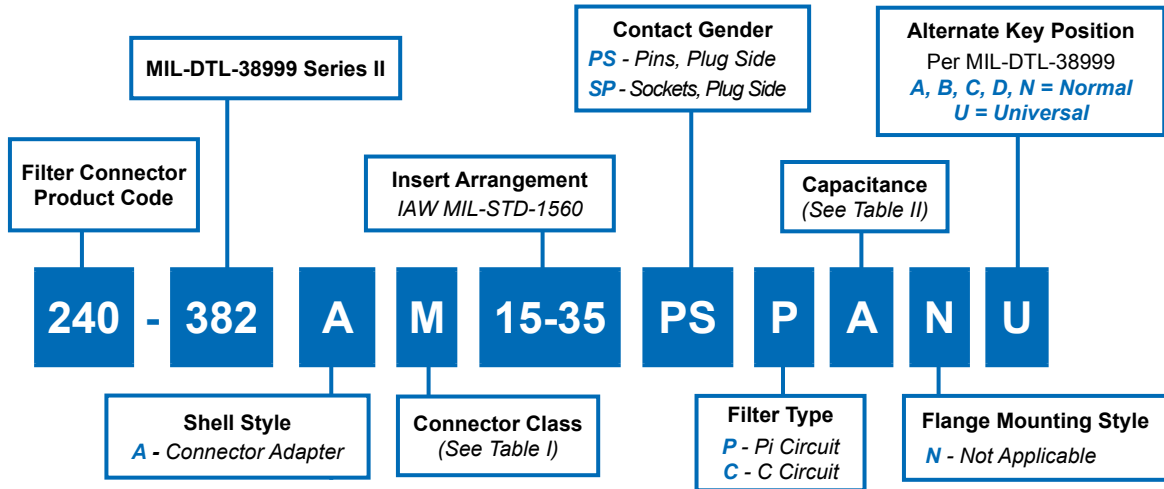
Consult Factory for Additional Filter Types, TVS Diodes, and other Custom Filter Connector Configurations.

* Reduced DWV – Please consult factory.

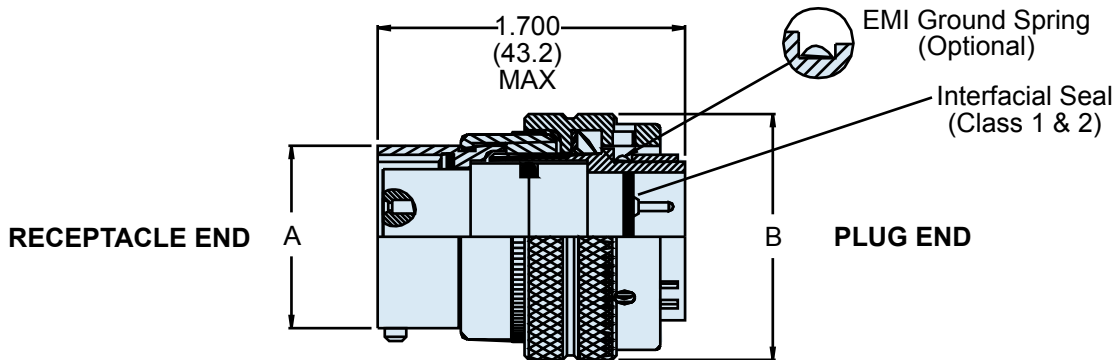
TABLE III

SHELL SIZE	A THREAD .1P-.03L-TS	B DIA.	C FLAT	D A/F	EP MAX.	ES MAX.	F	G DIA.	H	L MAX.
08	.875-20 UNEF	1.391 (35.3)	.818 (20.8)	1.266 (32.2)	.281 (7.1)	.359 (9.1)	.743 (18.9)	.894 (22.7)	.833 (21.2)	1.024 (26.0)
		1.359 (34.5)	.811 (20.6)	1.234 (31.3)			.733 (18.6)	.884 (22.5)	.823 (20.9)	
10	.1.000-20 UNEF	1.516 (38.5)	.942 (23.9)	1.391 (35.3)	.281 (7.1)	.359 (9.1)	.743 (18.9)	1.020 (25.9)	.957 (24.3)	1.024 (26.0)
		1.484 (37.7)	.935 (23.7)	1.359 (34.5)			.733 (18.6)	1.010 (25.7)	.947 (24.1)	
12	1.125-18 UNEF	1.641 (41.7)	1.066 (27.1)	1.516 (38.5)	.281 (7.1)	.359 (9.1)	.743 (18.9)	1.144 (29.1)	1.081 (27.5)	1.024 (26.0)
		1.609 (40.9)	1.059 (26.9)	1.484 (37.7)			.733 (18.6)	1.134 (28.8)	1.071 (27.2)	
14	1.250-18 UNEF	1.766 (44.9)	1.191 (30.3)	1.641 (41.7)	.281 (7.1)	.359 (9.1)	.743 (18.9)	1.269 (32.2)	1.206 (30.6)	1.024 (26.0)
		1.734 (44.0)	1.184 (30.1)	1.609 (40.9)			.733 (18.6)	1.259 (32.0)	1.196 (30.4)	
16	1.375-18 UNEF	1.954 (49.6)	1.321 (33.6)	1.797 (45.6)	.281 (7.1)	.359 (9.1)	.743 (18.9)	1.394 (35.4)	1.336 (33.9)	1.024 (26.0)
		1.922 (48.8)	1.314 (33.4)	1.765 (44.8)			.733 (18.6)	1.384 (35.2)	1.326 (33.7)	
18	1.500-18 UNEF	2.032 (51.6)	1.441 (36.6)	1.906 (48.4)	.281 (7.1)	.359 (9.1)	.743 (18.9)	1.520 (38.6)	1.456 (37.0)	1.024 (26.0)
		2.000 (50.8)	1.434 (36.4)	1.874 (47.6)			.733 (18.6)	1.510 (38.4)	1.446 (36.7)	
20	1.625-18 UNEF	2.157 (54.8)	1.566 (39.8)	2.032 (51.6)	.250 (6.4)	.344 (8.7)	.769 (19.5)	1.645 (41.8)	1.581 (40.2)	1.019 (25.9)
		2.125 (54.0)	1.559 (39.6)	2.000 (50.8)			.759 (19.3)	1.635 (41.5)	1.571 (39.9)	
22	1.750-18 UNS	2.281 (57.9)	1.691 (43.0)	2.156 (54.8)	.250 (6.4)	.344 (8.7)	.769 (19.5)	1.750 (44.5)	1.706 (43.3)	1.019 (25.9)
		2.249 (57.1)	1.684 (42.8)	2.124 (53.9)			.759 (19.3)	1.740 (44.2)	1.696 (43.1)	
24	1.875-16 UN	2.406 (61.1)	1.816 (46.1)	2.281 (57.9)	.250 (6.4)	.344 (8.7)	.769 (19.5)	1.895 (48.1)	1.831 (46.5)	1.019 (25.9)
		2.374 (60.3)	1.809 (45.9)	2.249 (57.1)			.759 (19.3)	1.885 (47.9)	1.821 (46.3)	

*Some dimensions do not apply. Consult factory



A - Connector Adapter



* Please consult factory for Pin/Pin and/or Socket/Socket contact arrangements.

240-382A
MIL-DTL-38999 Series II Filter Connector
Connector Adapter

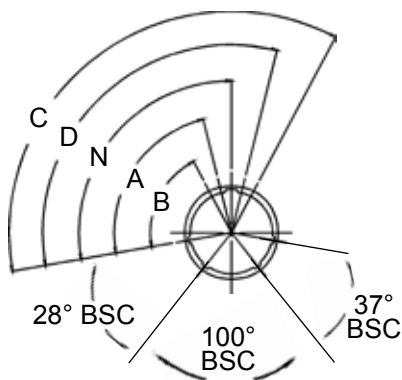


TABLE I: CONNECTOR CLASS

SYM	CLASS	MATERIAL	FINISH DESCRIPTION
M	Environmental	Aluminum	Electroless Nickel
MT	Environmental	Aluminum	Ni-PTFE 1000 Hour Grey™ Nickel Fluorocarbon Polymer
NF	Environmental	Aluminum	Cadmium O.D. Over Electroless Nickel
P	Environmental	Stainless Steel	Electro-Deposited Nickel
ZN	Environmental	Aluminum	Zinc-Nickel Over Electroless Nickel

SHELL DIAMETER

Shell Size	A Max	B Max
08	.474 (12.0)	.750 (19.1)
10	.591 (15.0)	.859 (21.8)
12	.751 (19.1)	1.031 (26.2)
14	.875 (22.2)	1.156 (29.4)
16	1.001 (25.4)	1.281 (32.5)
18	1.126 (28.6)	1.391 (35.3)
20	1.251 (31.8)	1.531 (38.9)
22	1.376 (35.0)	1.656 (42.1)
24	1.501 (38.1)	1.777 (45.1)

TABLE II: CAPACITOR ARRAY CODE
CAPACITANCE RANGE

CLASS	PI - CIRCUIT (pF)	C - CIRCUIT (pF)
X*	160,000 - 240,000	80,000 - 120,000
Y*	80,000 - 120,000	40,000 - 60,000
Z*	60,000 - 90,000	30,000 - 45,000
A	38,000 - 56,000	19,000 - 28,000
B	32,000 - 45,000	16,000 - 22,500
C	18,000 - 33,000	9,000 - 16,500
D	8,000 - 12,000	4,000 - 6,000
E	3,300 - 5,000	1,650 - 2,500
F	800 - 1,300	400 - 650
G	400 - 600	200 - 300

Consult Factory for
Additional Filter Types,
TVS Diodes, and other
Custom Filter Connector
Configurations.

MASTER KEY POSITION

NORMAL	A°	B°	C°	D°
100°	79°	66°	134°	121°

* Reduced DWV – Please consult factory.

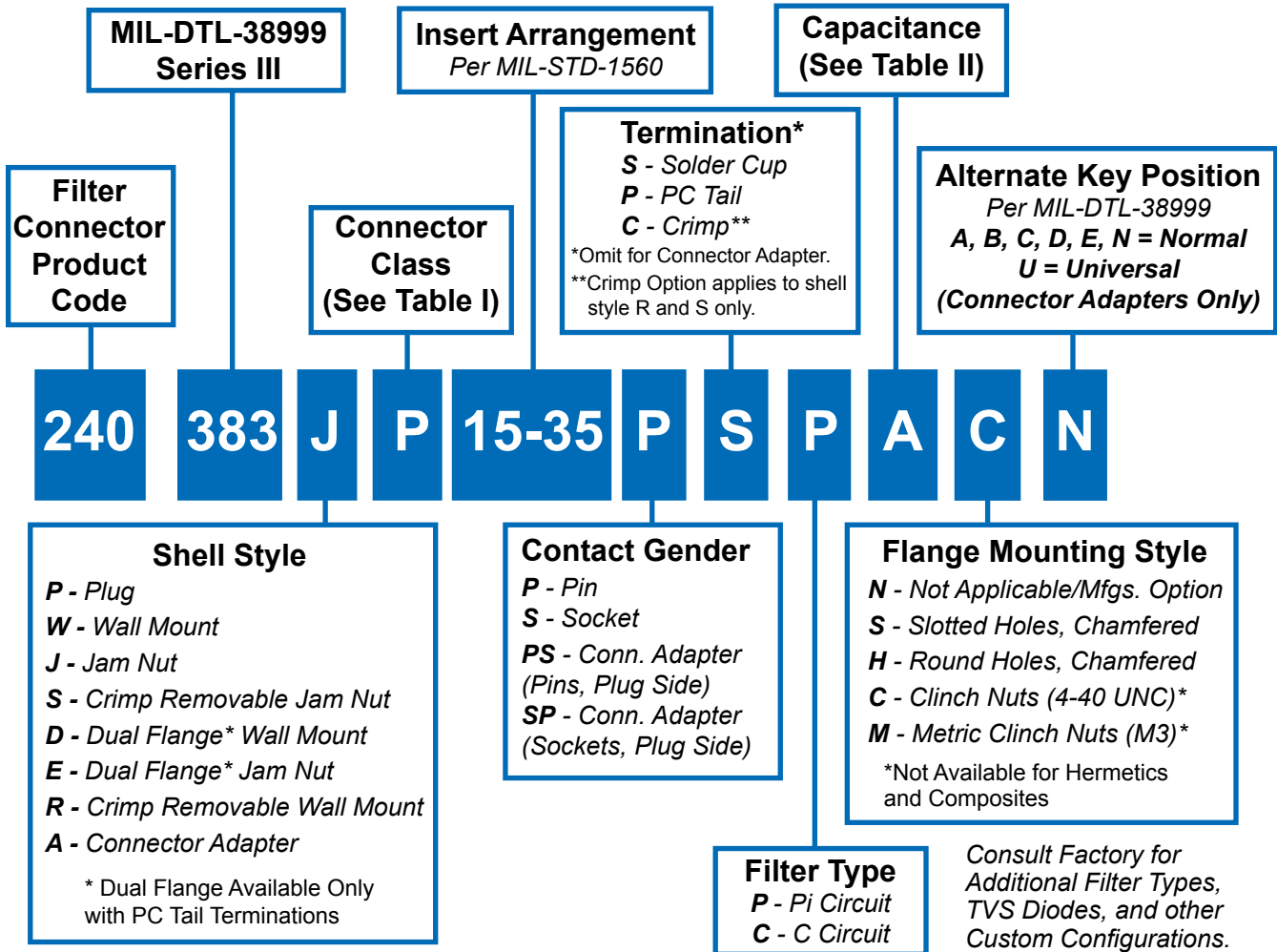


TABLE II: CAPACITOR ARRAY CODE CAPACITANCE RANGE

CLASS	PI - CIRCUIT (pF)	C - CIRCUIT (pF)
X*	160,000 - 240,000	80,000 - 120,000
Y*	80,000 - 120,000	40,000 - 60,000
Z*	60,000 - 90,000	30,000 - 45,000
A	38,000 - 56,000	19,000 - 28,000
B	32,000 - 45,000	16,000 - 22,500
C	18,000 - 33,000	9,000 - 16,500
D	8,000 - 12,000	4,000 - 6,000
E	3,300 - 5,000	1,650 - 2,500
F	800 - 1,300	400 - 650
G	400 - 600	200 - 300

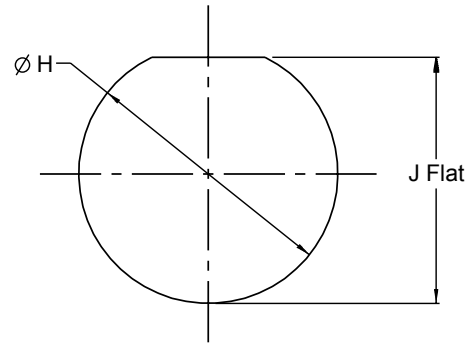
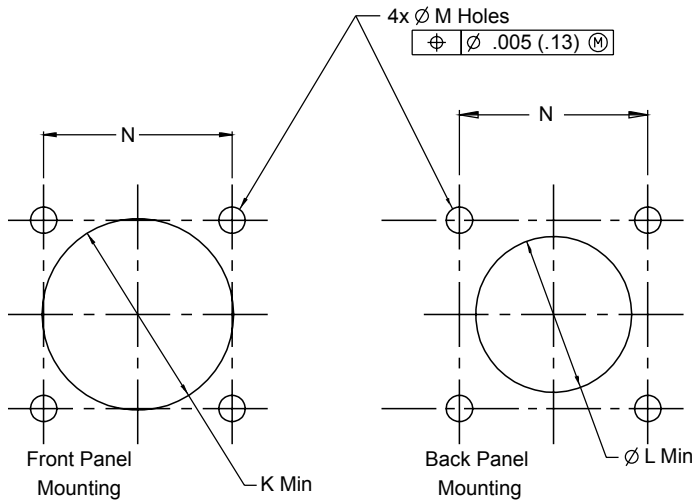
* Reduced DWV – Please consult factory.

TABLE I: CONNECTOR CLASS

SYM	CLASS	MATERIAL	FINISH DESCRIPTION
M	Environmental	Aluminum	Electroless Nickel
MT	Environmental	Aluminum	Nickel Fluorocarbon Polymer (Ni-PTFE)
NF	Environmental	Aluminum	Cad. O.D. Over Electroless Nickel
P	Environmental	Stainless	Electro-Deposited Nickel
XM	Environmental	Composite	Electroless Nickel
XMT	Environmental	Composite	Nickel Fluorocarbon Polymer (Ni-PTFE)
XW	Environmental	Composite	Cad. O.D. Over Electroless Nickel
ZN	Environmental	Aluminum	Zinc-Nickel Over Electroless Nickel
H2*	Hermetic	Stainless	Electroless Nickel

* Some dimensions do not apply, see sales drawing 240-383JH2

Glenair MIL-DTL-38999 Series III Type Filter Connector with Threaded Coupling Reference Information

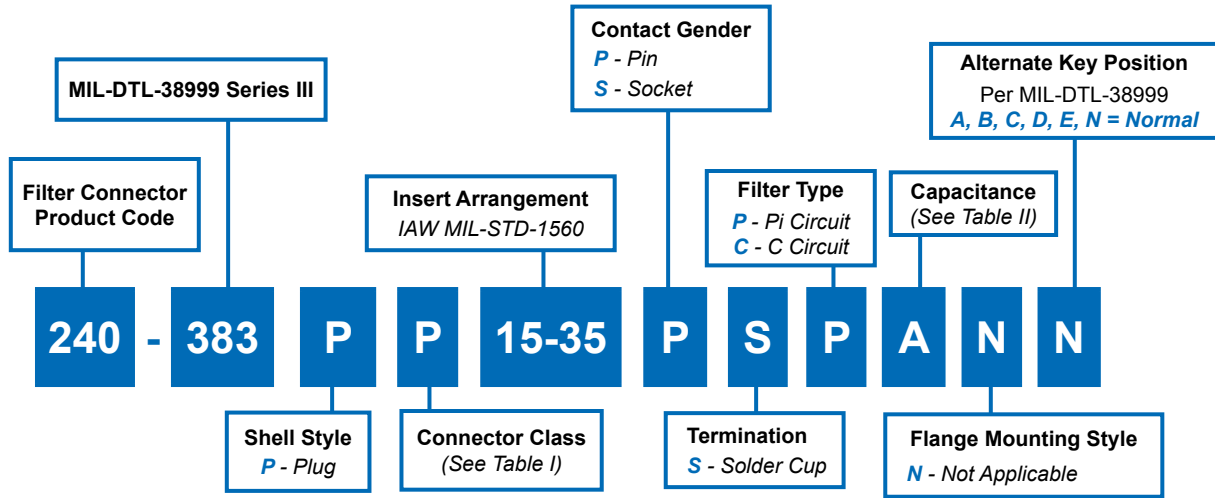


MIL-DTL-38999 Series III Square Flange Panel Cutouts					
Shell Size Code	Shell Size	Ø K Min	Ø L Min	M Holes	N BSC
A	09	.656 (16.7)	.516 (13.1)	.133 (3.4) .123 (3.1)	.719 (18.3)
B	11	.796 (20.2)	.625 (15.9)	.133 (3.4) .123 (3.1)	.812 (20.6)
C	13	.922 (23.4)	.750 (19.1)	.133 (3.4) .123 (3.1)	.906 (23.0)
D	15	1.047 (26.6)	.906 (23.0)	.133 (3.4) .123 (3.1)	.969 (24.6)
E	17	1.219 (31.0)	1.016 (25.8)	.133 (3.4) .123 (3.1)	1.062 (27.0)
F	19	1.297 (32.9)	1.141 (29.0)	.133 (3.4) .123 (3.1)	1.156 (29.4)
G	21	1.422 (36.1)	1.266 (32.2)	.133 (3.4) .123 (3.1)	1.250 (31.8)
H	23	1.547 (39.3)	1.375 (34.9)	.159 (4.0) .149 (3.8)	1.375 (34.9)
J	25	1.672 (42.5)	1.484 (37.7)	.155 (3.9) .145 (3.7)	1.500 (38.1)

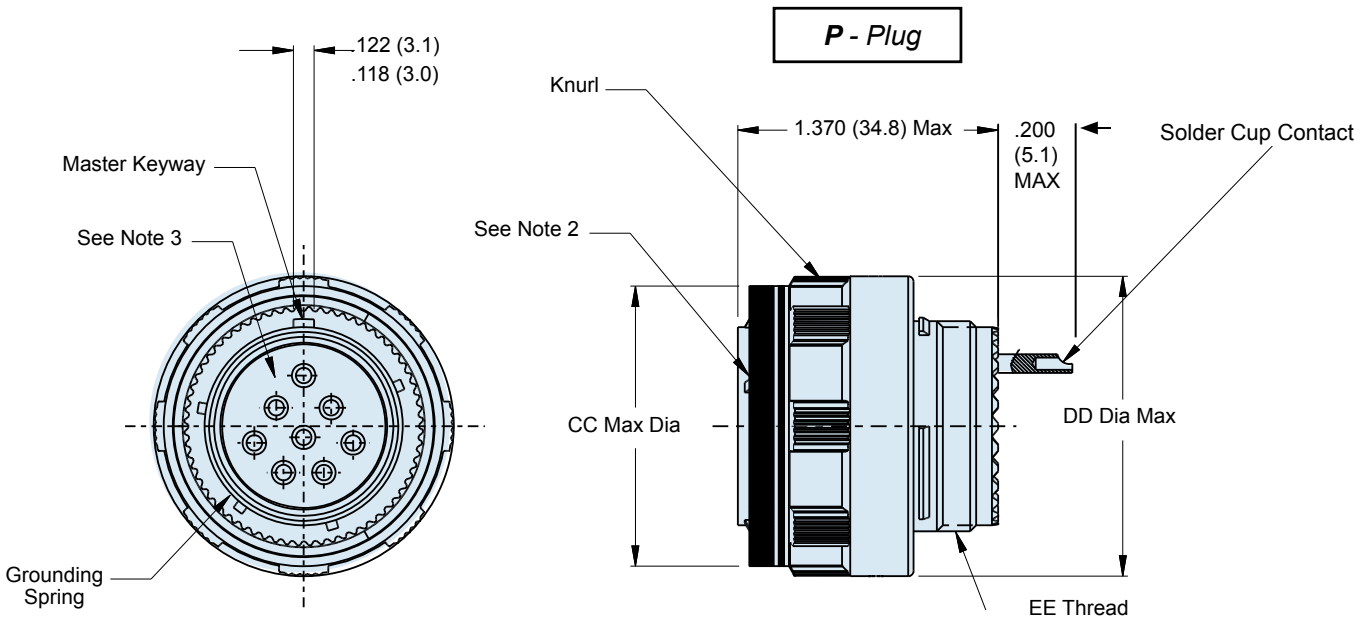
MIL-DTL-38999 Series III Jam Nut Panel Cutout			
SHELL SIZE CODE	SHELL SIZE	Ø H	J
A	09	.710 (18.0) .700 (17.8)	.670 (17.0) .660 (16.8)
B	11	.835 (21.2) .825 (21.0)	.771 (19.6) .761 (19.3)
C	13	1.020 (25.9) 1.010 (25.7)	.955 (24.3) .945 (24.0)
D	15	1.145 (29.1) 1.135 (28.8)	1.085 (27.6) 1.075 (27.3)
E	17	1.270 (32.3) 1.260 (32.0)	1.210 (30.7) 1.200 (30.5)
F	19	1.395 (35.4) 1.385 (35.2)	1.335 (33.9) 1.325 (33.7)
G	21	1.520 (38.6) 1.510 (38.4)	1.460 (37.1) 1.450 (36.8)
H	23	1.645 (41.8) 1.635 (41.5)	1.585 (40.3) 1.575 (40.0)
J	25	1.770 (45.0) 1.760 (44.7)	1.710 (43.4) 1.700 (43.2)

APPLICATION NOTES

- Materials/Finishes: Shells, Barrel, Coupling Nut, Jam Nut - See Table I
Insulators - high grade rigid dielectric/N.A.
Seals - Fluorosilicone
PC Tail & Solder Cup contacts: 50µ" Gold over 50µ" Nickel
- Assembly to be identified with Glenair's name, part number, and date code - space permitting.
- Insert Arrangement in accordance with MIL-STD-1560.
(Arrangement shown for reference only)
- EMI Circular Filter Receptacle connector designed to meet requirements of MIL-STD-2120 and MIL-DTL-38999, Series III.
- All contacts to have identical filter value. Other filter arrangements available, contact factory.
- Electrical Ratings: DWW- 500 VDC Min.; Standard Operating Voltage 200 Volts DC; Current Rating 5 Amps (size 22);
- Insulation Resistance: 5000 MegOhms Min. at 200 VDC.
- Operating Temperature -55°C to +125°C (Env Class Connectors)
- Other filter styles (C-L, L-C, Unbalanced PI, Multi-Stage, Multi-Value) are available, please consult the factory.
- Metric Dimensions (mm) are indicated in parentheses.



C



240-383P
MIL-DTL-38999 Series III Filter Connector
Plug Receptacle



TABLE I: CONNECTOR CLASS

SYM	CLASS	MATERIAL	FINISH DESCRIPTION
M	Environmental	Aluminum	Electroless Nickel
MT	Environmental	Aluminum	Nickel Fluorocarbon Polymer (Ni-PTFE)
NF	Environmental	Aluminum	Cad. O.D. Over Electroless Nickel
P	Environmental	Stainless	Electro-Deposited Nickel
XM	Environmental	Composite	Electroless Nickel
XMT	Environmental	Composite	Nickel Fluorocarbon Polymer (Ni-PTFE)
XW	Environmental	Composite	Cad. O.D. Over Electroless Nickel
ZN	Environmental	Aluminum	Zinc-Nickel Over Electroless Nickel
H2*	Hermetic	Stainless	Electroless Nickel

* Some dimensions do not apply, see sales drawing 240-383JH2

TABLE II: CAPACITOR ARRAY CODE CAPACITANCE RANGE

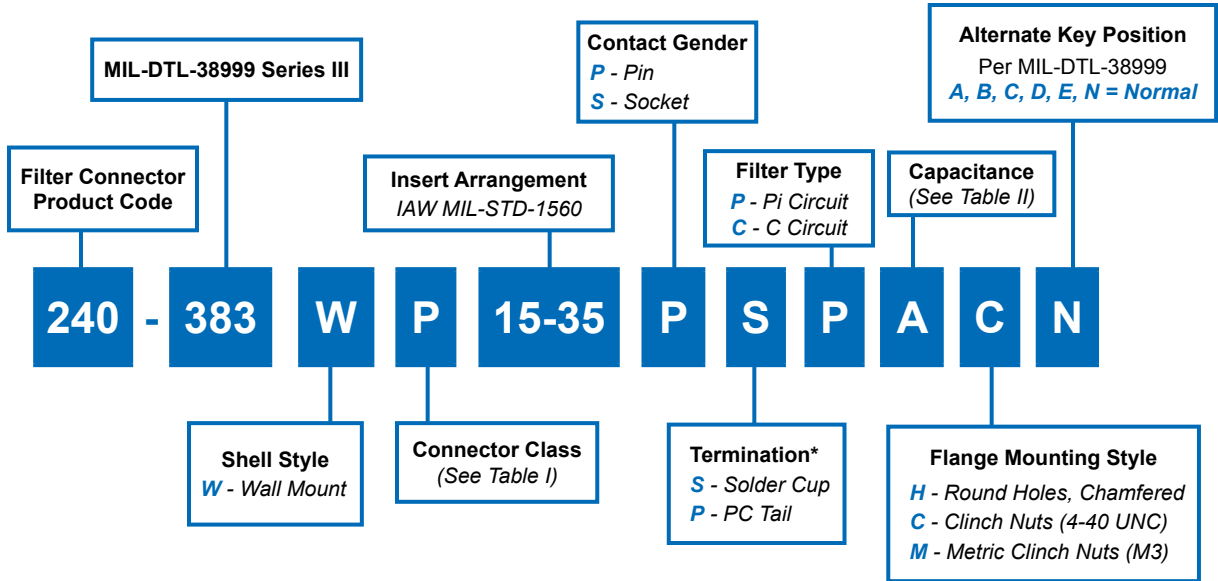
CLASS	PI - CIRCUIT (pF)	C - CIRCUIT (pF)
X*	160,000 - 240,000	80,000 - 120,000
Y*	80,000 - 120,000	40,000 - 60,000
Z*	60,000 - 90,000	30,000 - 45,000
A	38,000 - 56,000	19,000 - 28,000
B	32,000 - 45,000	16,000 - 22,500
C	18,000 - 33,000	9,000 - 16,500
D	8,000 - 12,000	4,000 - 6,000
E	3,300 - 5,000	1,650 - 2,500
F	800 - 1,300	400 - 650
G	400 - 600	200 - 300

* Reduced DWV – Please consult factory.

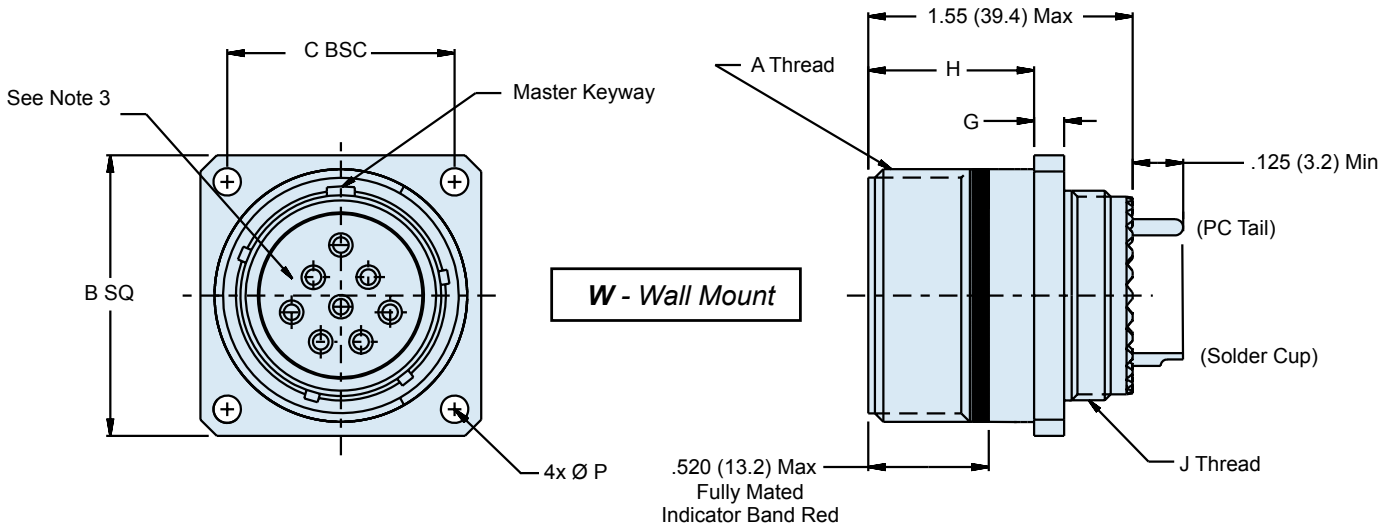
DIMENSIONS

SHELL SIZE CODE	SHELL SIZE	CC Dia Max	DD Dia Max	EE THREAD
B	11	.929 (23.6)	.984 (25.0)	M15 X 1.0-6g 0.100R
C	13	1.110 (28.2)	1.157 (29.4)	M18 X 1.0-6g 0.100R
D	15	1.232 (31.3)	1.280 (32.5)	M22 X 1.0-6g 0.100R
E	17	1.358 (34.5)	1.406 (35.7)	M25 X 1.0-6g 0.100R
F	19	1.469 (37.3)	1.516 (38.5)	M28 X 1.0-6g 0.100R
G	21	1.594 (40.5)	1.642 (41.7)	M31 X 1.0-6g 0.100R
H	23	1.720 (43.7)	1.768 (44.9)	M34 X 1.0-6g 0.100R
J	25	1.843 (46.8)	1.890 (48.0)	M37 X 1.0-6g 0.100R

*Consult Factory for
 Additional Filter Types,
 TVS Diodes, and other
 Custom Configurations.*



Clinch Nuts and Metric Clinch Nuts Not Available for Composites.
Helicoils and Threaded Inserts/Specials Available Upon Request.



Consult Factory for
Alternative PC Tail
Lengths

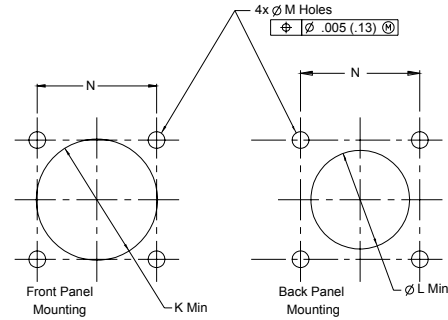
240-383W MIL-DTL-38999 Series III Filter Connector Wall Mount Receptacle



TABLE I: CONNECTOR CLASS

SYM	CLASS	MATERIAL	FINISH DESCRIPTION
M	Environmental	Aluminum	Electroless Nickel
MT	Environmental	Aluminum	Nickel Fluorocarbon Polymer (Ni-PTFE)
NF	Environmental	Aluminum	Cad. O.D. Over Electroless Nickel
P	Environmental	Stainless	Electro-Deposited Nickel
XM	Environmental	Composite	Electroless Nickel
XMT	Environmental	Composite	Nickel Fluorocarbon Polymer (Ni-PTFE)
XW	Environmental	Composite	Cad. O.D. Over Electroless Nickel
ZN	Environmental	Aluminum	Zinc-Nickel Over Electroless Nickel
H2*	Hermetic	Stainless	Electroless Nickel

* Some dimensions do not apply, see sales drawing 240-383JH2



**TABLE II: CAPACITOR ARRAY CODE
CAPACITANCE RANGE**

CLASS	PI - CIRCUIT (pF)	C - CIRCUIT (pF)
X*	160,000 - 240,000	80,000 - 120,000
Y*	80,000 - 120,000	40,000 - 60,000
Z*	60,000 - 90,000	30,000 - 45,000
A	38,000 - 56,000	19,000 - 28,000
B	32,000 - 45,000	16,000 - 22,500
C	18,000 - 33,000	9,000 - 16,500
D	8,000 - 12,000	4,000 - 6,000
E	3,300 - 5,000	1,650 - 2,500
F	800 - 1,300	400 - 650
G	400 - 600	200 - 300

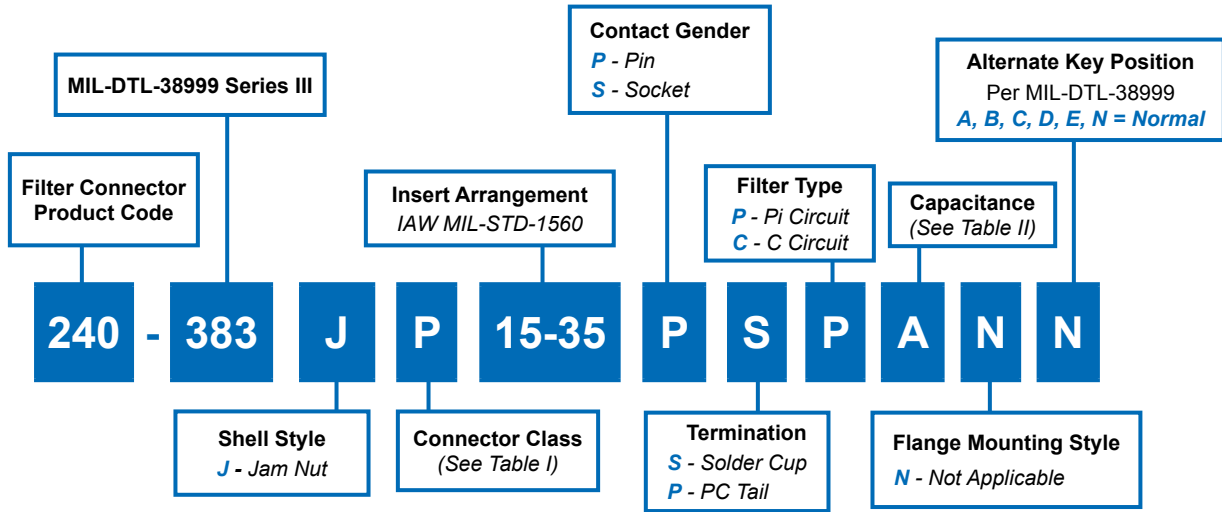
* Reduced DWV – Please consult factory.

**MIL-DTL-38999 Series III
Square Flange Panel Cutouts**

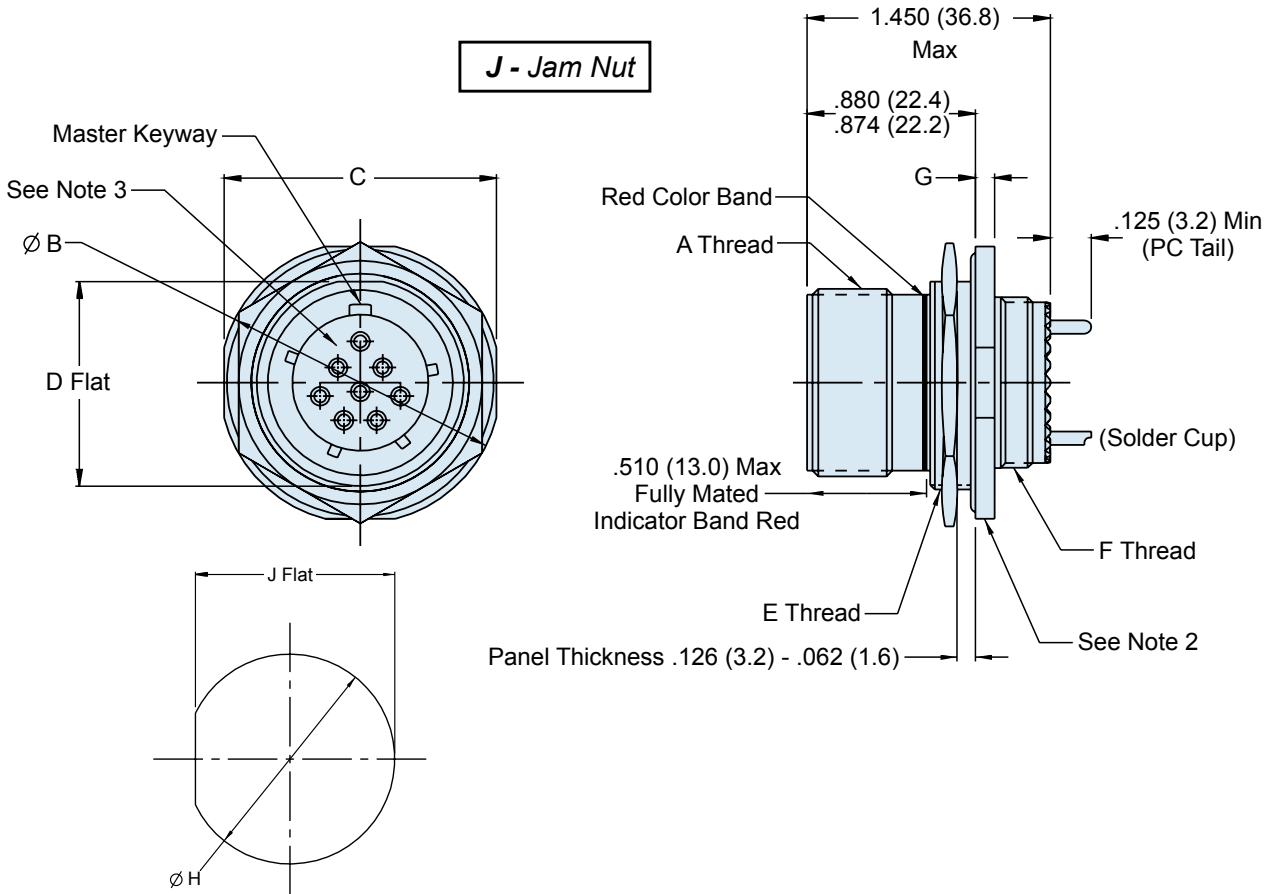
Shell Size Code	Shell Size	Ø K Min	Ø L Min	M Holes	N BSC	P Ø ± .010
A	09	.656 (16.7)	.516 (13.1)	.133 (3.4) .123 (3.1)	.719 (18.3)	.128 (3.3)
B	11	.796 (20.2)	.625 (15.9)	.133 (3.4) .123 (3.1)	.812 (20.6)	
C	13	.922 (23.4)	.750 (19.1)	.133 (3.4) .123 (3.1)	.906 (23.0)	
D	15	1.047 (26.6)	.906 (23.0)	.133 (3.4) .123 (3.1)	.969 (24.6)	
E	17	1.219 (31.0)	1.016 (25.8)	.133 (3.4) .123 (3.1)	1.062 (27.0)	
F	19	1.297 (32.9)	1.141 (29.0)	.133 (3.4) .123 (3.1)	1.156 (29.4)	
G	21	1.422 (36.1)	1.266 (32.2)	.133 (3.4) .123 (3.1)	1.250 (31.8)	
H	23	1.547 (39.3)	1.375 (34.9)	.159 (4.0) .149 (3.8)	1.375 (34.9)	
J	25	1.672 (42.5)	1.484 (37.7)	.155 (3.9) .145 (3.7)	1.500 (38.1)	

WALL MOUNT

SHELL SIZE CODE	SHELL SIZE	A THREAD	B SQ	C BSC	D BSC	E	F	G	H	J THREAD	
A	09	.6250-.1P-.3L-TS-2A	0.949 (24.1) 0.925 (23.5)	.719 (18.3)	.594 (15.1)	.136 (3.5) .120 (3.0)	.224 (5.7) .208 (5.3)	.143 (3.6) .083 (2.1)	.820 (20.8) .771 (19.6)	M12 X 1.0-6g 0.100R	
B	11	.7500-.1P-.3L-TS-2A	1.043 (26.5) 1.019 (25.9)	.812 (20.6)	.719 (18.3)	.136 (3.5) .120 (3.0)	.202 (5.1) .186 (4.7)		.820 (20.8) .771 (19.6)	M15 X 1.0-6g 0.100R	
C	13	.8750-.1P-.3L-TS-2A	1.138 (28.9) 1.114 (28.3)	.906 (23.0)	.812 (20.6)	.136 (3.5) .120 (3.0)	.202 (5.1) .186 (4.7)		.820 (20.8) .771 (19.6)	M18 X 1.0-6g 0.100R	
D	15	1.000-.1P-.3L-TS-2A	1.232 (31.3) 1.208 (30.7)	.969 (24.6)	.906 (23.0)	.136 (3.5) .120 (3.0)	.202 (5.1) .165 (4.2)		.820 (20.8) .771 (19.6)	M22 X 1.0-6g 0.100R	
E	17	1.1875-.1P-.3L-TS-2A	1.323 (33.6) 1.299 (33.0)	1.062 (27.0)	.969 (24.6)	.136 (3.5) .120 (3.0)	.202 (5.1) .186 (4.7)		.820 (20.8) .771 (19.6)	M25 X 1.0-6g 0.100R	
F	19	1.2500-.1P-.3L-TS-2A	1.449 (36.8) 1.425 (36.2)	1.156 (29.4)	1.062 (27.0)	.136 (3.5) .120 (3.0)	.202 (5.1) .186 (4.7)		.820 (20.8) .771 (19.6)	M28 X 1.0-6g 0.100R	
G	21	1.3750-.1P-.3L-TS-2A	1.575 (40.0) 1.551 (39.4)	1.250 (31.8)	1.156 (29.4)	.136 (3.5) .120 (3.0)	.202 (5.1) .186 (4.7)		.790 (20.1) .741 (18.8)	M31 X 1.0-6g 0.100R	
H	23	1.5000-.1P-.3L-TS-2A	1.701 (43.2) 1.677 (42.6)	1.375 (34.9)	1.250 (31.8)	.162 (4.1) .146 (3.7)	.250 (6.4) .234 (5.9)		.171 (4.3) .083 (2.1)	.790 (20.1) .741 (18.8)	M34 X 1.0-6g 0.100R
J	25	1.6250-.1P-.3L-TS-2A	1.823 (46.3) 1.799 (45.7)	1.500 (38.1)	1.375 (34.9)	.162 (4.1) .146 (3.7)	.250 (6.4) .234 (5.9)		.790 (20.1) .741 (18.8)	M37 X 1.0-6g 0.100R	



C



240-383J
MIL-DTL-38999 Series III Filter Connector
Jam Nut Receptacle



TABLE I: CONNECTOR CLASS

SYM	CLASS	MATERIAL	FINISH DESCRIPTION
M	Environmental	Aluminum	Electroless Nickel
MT	Environmental	Aluminum	Nickel Fluorocarbon Polymer (Ni-PTFE)
NF	Environmental	Aluminum	Cad. O.D. Over Electroless Nickel
P	Environmental	Stainless	Electro-Deposited Nickel
XM	Environmental	Composite	Electroless Nickel
XMT	Environmental	Composite	Nickel Fluorocarbon Polymer (Ni-PTFE)
XW	Environmental	Composite	Cad. O.D. Over Electroless Nickel
ZN	Environmental	Aluminum	Zinc-Nickel Over Electroless Nickel
H2*	Hermetic	Stainless	Electroless Nickel

* Some dimensions do not apply, see sales drawing 240-383JH2

**TABLE II: CAPACITOR ARRAY CODE
CAPACITANCE RANGE**

CLASS	PI - CIRCUIT (pF)	C - CIRCUIT (pF)
X*	160,000 - 240,000	80,000 - 120,000
Y*	80,000 - 120,000	40,000 - 60,000
Z*	60,000 - 90,000	30,000 - 45,000
A	38,000 - 56,000	19,000 - 28,000
B	32,000 - 45,000	16,000 - 22,500
C	18,000 - 33,000	9,000 - 16,500
D	8,000 - 12,000	4,000 - 6,000
E	3,300 - 5,000	1,650 - 2,500
F	800 - 1,300	400 - 650
G	400 - 600	200 - 300

* Reduced DWV – Please consult factory.

**MIL-DTL-38999 Series III
Jam Nut Panel Cutout**

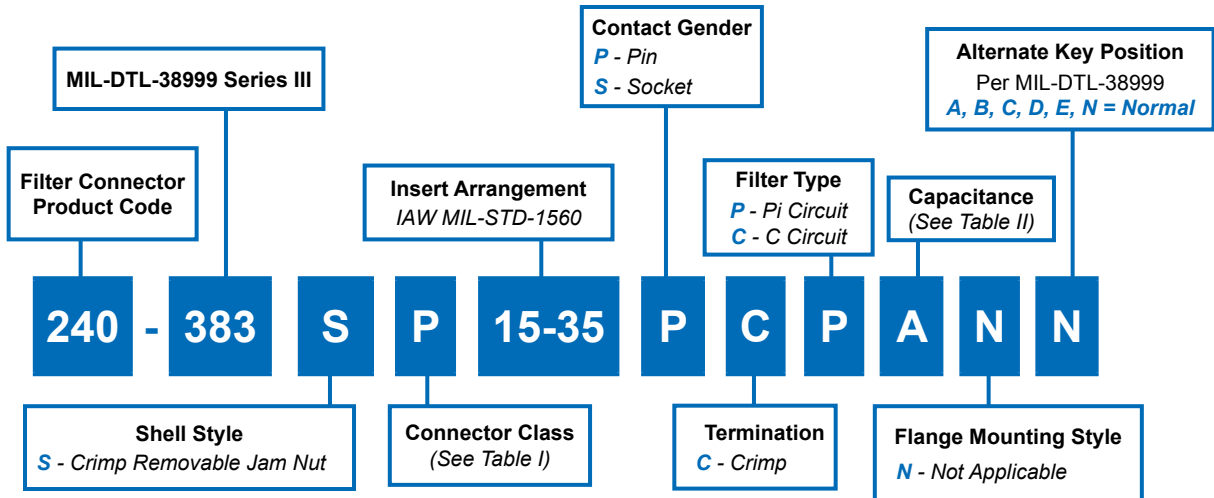
SHELL SIZE CODE	SHELL SIZE	Ø H	J
A	09	.710 (18.0)	.670 (17.0)
		.700 (17.8)	.660 (16.8)
B	11	.835 (21.2)	.771 (19.6)
		.825 (21.0)	.761 (19.3)
C	13	1.020 (25.9)	.955 (24.3)
		1.010 (25.7)	.945 (24.0)
D	15	1.145 (29.1)	1.085 (27.6)
		1.135 (28.8)	1.075 (27.3)
E	17	1.270 (32.3)	1.210 (30.7)
		1.260 (32.0)	1.200 (30.5)
F	19	1.395 (35.4)	1.335 (33.9)
		1.385 (35.2)	1.325 (33.7)
G	21	1.520 (38.6)	1.460 (37.1)
		1.510 (38.4)	1.450 (36.8)
H	23	1.645 (41.8)	1.585 (40.3)
		1.635 (41.5)	1.575 (40.0)
J	25	1.770 (45.0)	1.710 (43.4)
		1.760 (44.7)	1.700 (43.2)

*Consult Factory for
Additional Filter Types,
TVS Diodes, and other
Custom Configurations.*

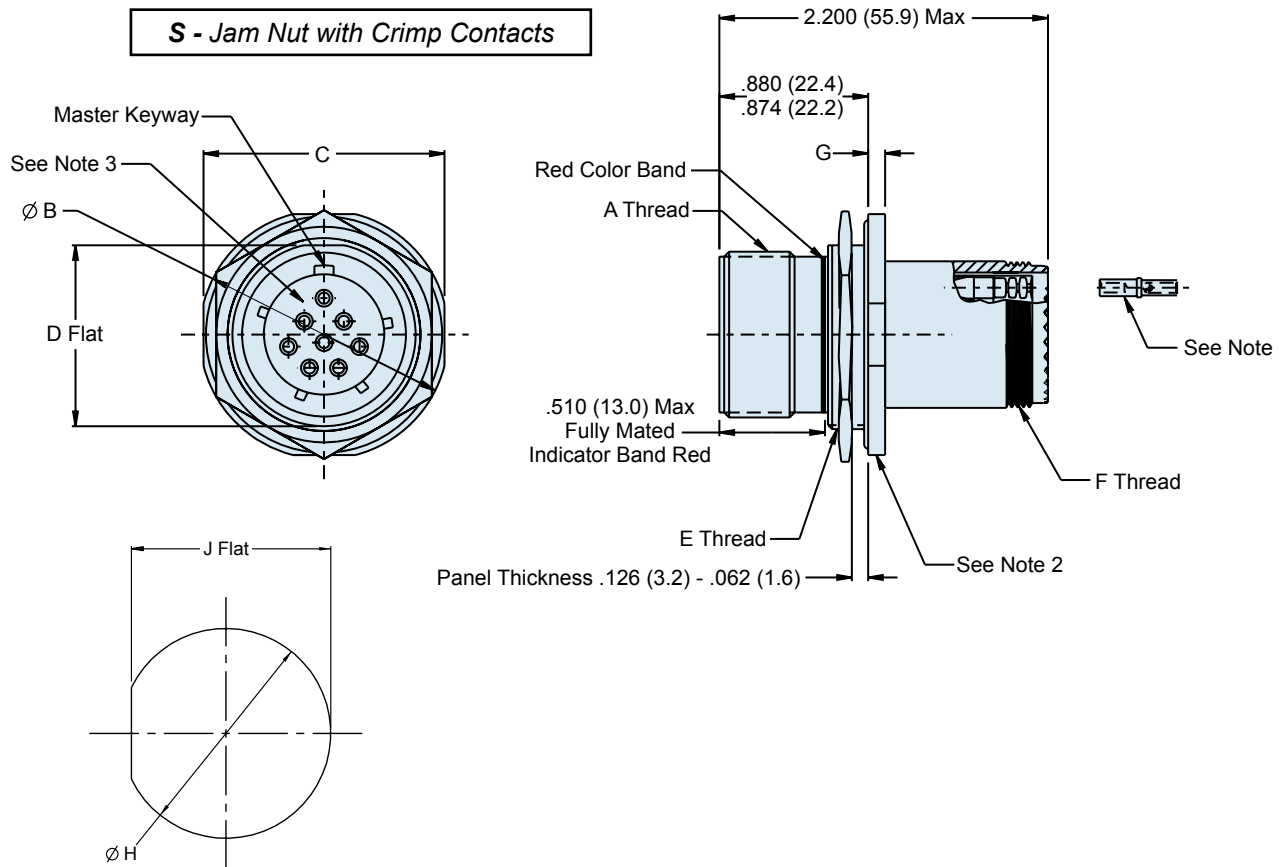
JAM NUT MOUNT

SHELL SIZE CODE	SHELL SIZE	A THREAD	Ø B	C	D	E THREAD	F THREAD	G
A	09	.6250- .1P- .3L-TS-2A	1.262 (32.1)	1.079 (27.4)	.655 (16.6)	M17 X 1.0-6g 0.100R	M12 X 1.0-6g 0.100R	.122 (3.1)
			1.177 (29.9)	1.047 (26.6)	.645 (16.4)			.083 (2.1)
B	11	.7500- .1P- .3L-TS-2A	1.386 (35.2)	1.268 (32.2)	.755 (19.2)	M20 X 1.0-6g 0.100R	M15 X 1.0-6g 0.100R	.122 (3.1)
			1.362 (34.6)	1.236 (31.4)	.745 (18.9)			.083 (2.1)
C	13	.8750- .1P- .3L-TS-2A	1.512 (38.4)	1.390 (35.3)	.942 (23.9)	M25 X 1.0-6g 0.100R	M18 X 1.0-6g 0.100R	.122 (3.1)
			1.488 (37.8)	1.358 (34.5)	.932 (23.7)			.083 (2.1)
D	15	1.000- .1P- .3L-TS-2A	1.638 (41.6)	1.516 (38.5)	1.068 (27.1)	M28 X 1.0-6g 0.100R	M22 X 1.0-6g 0.100R	.122 (3.1)
			1.614 (41.0)	1.484 (37.7)	1.058 (26.8)			.083 (2.1)
E	17	1.1875- .1P- .3L-TS-2A	1.764 (44.8)	1.642 (41.7)	1.191 (30.3)	M32 X 1.0-6g 0.100R	M25 X 1.0-6g 0.100R	.122 (3.1)
			1.740 (44.2)	1.610 (40.9)	1.181 (30.0)			.083 (2.1)
F	19	1.2500- .1P- .3L-TS-2A	1.949 (49.5)	1.827 (46.4)	1.316 (33.4)	M35 X 1.0-6g 0.100R	M28 X 1.0-6g 0.100R	.154 (3.9)
			1.925 (48.9)	1.795 (45.6)	1.306 (33.2)			.114 (2.9)
G	21	1.3750- .1P- .3L-TS-2A	2.075 (52.7)	1.953 (49.6)	1.441 (36.6)	M38 X 1.0-6g 0.100R	M31 X 1.0-6g 0.100R	.154 (3.9)
			2.051 (52.1)	1.921 (48.8)	1.431 (36.3)			.114 (2.9)
H	23	1.5000- .1P- .3L-TS-2A	2.201 (55.9)	2.079 (52.8)	1.566 (39.8)	M41 X 1.0-6g 0.100R	M34 X 1.0-6g 0.100R	.154 (3.9)
			2.177 (55.3)	2.047 (52.0)	1.556 (39.5)			.114 (2.9)
J	25	1.6250- .1P- .3L-TS-2A	2.323 (59.0)	2.205 (56.0)	1.691 (43.0)	M44 X 1.0-6g 0.100R	M37 X 1.0-6g 0.100R	.154 (3.9)
			2.299 (58.4)	2.173 (55.2)	1.681 (42.7)			.114 (2.9)

240-383S MIL-DTL-38999 Series III Filter Connector Jam Nut Receptacle with Crimp Removable Socket Contacts



NOTE: Crimp removable socket contacts to conform to MIL-C-39029/57-358, Size 16, MIL-C-39029/57-357 Size 20, and MIL-C-39029/57-354 Size 22D (Supplied loose).



240-383S
MIL-DTL-38999 Series III Filter Connector
Jam Nut Receptacle
with Crimp Removable Socket Contacts



TABLE I: CONNECTOR CLASS

SYM	CLASS	MATERIAL	FINISH DESCRIPTION
M	Environmental	Aluminum	Electroless Nickel
MT	Environmental	Aluminum	Nickel Fluorocarbon Polymer (Ni-PTFE)
NF	Environmental	Aluminum	Cad. O.D. Over Electroless Nickel
P	Environmental	Stainless	Electro-Deposited Nickel
XM	Environmental	Composite	Electroless Nickel
XMT	Environmental	Composite	Nickel Fluorocarbon Polymer (Ni-PTFE)
XW	Environmental	Composite	Cad. O.D. Over Electroless Nickel
ZN	Environmental	Aluminum	Zinc-Nickel Over Electroless Nickel
H2*	Hermetic	Stainless	Electroless Nickel

* Some dimensions do not apply, see sales drawing 240-383JH2

TABLE II: CAPACITOR ARRAY CODE CAPACITANCE RANGE

CLASS	PI - CIRCUIT (pF)	C - CIRCUIT (pF)
X*	160,000 - 240,000	80,000 - 120,000
Y*	80,000 - 120,000	40,000 - 60,000
Z*	60,000 - 90,000	30,000 - 45,000
A	38,000 - 56,000	19,000 - 28,000
B	32,000 - 45,000	16,000 - 22,500
C	18,000 - 33,000	9,000 - 16,500
D	8,000 - 12,000	4,000 - 6,000
E	3,300 - 5,000	1,650 - 2,500
F	800 - 1,300	400 - 650
G	400 - 600	200 - 300

* Reduced DWV – Please consult factory.

**MIL-DTL-38999 Series III
Jam Nut Panel Cutout**

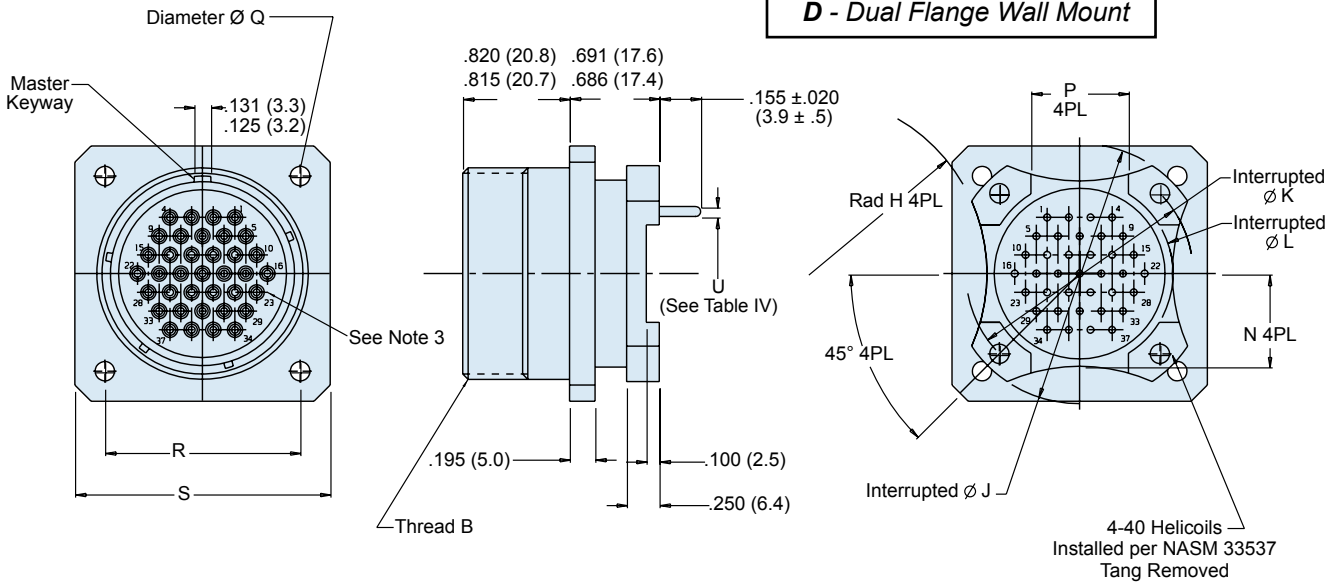
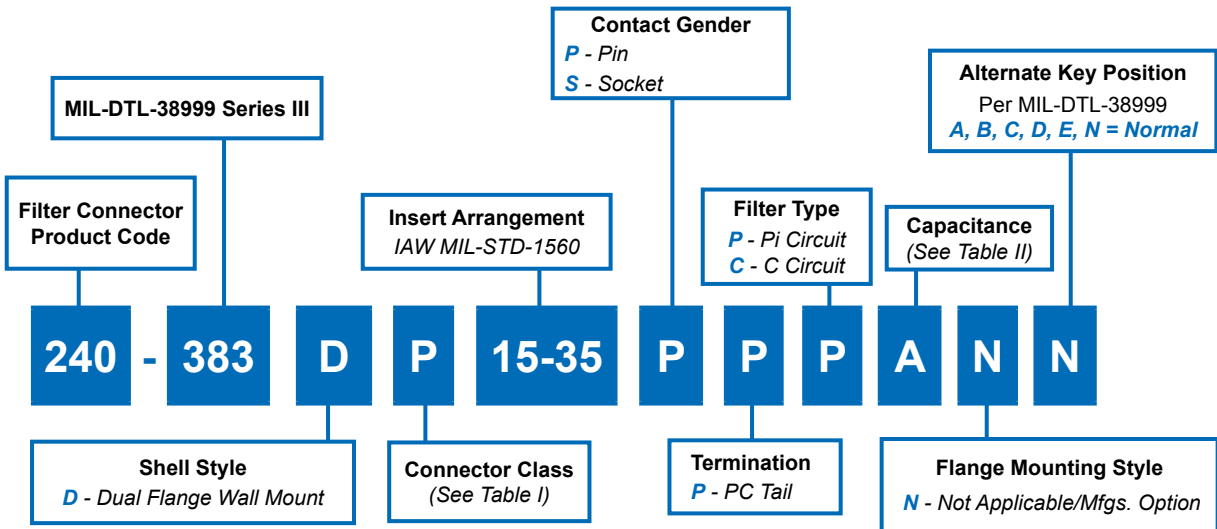
SHELL SIZE CODE	SHELL SIZE	Ø H	J
A	09	.710 (18.0)	.670 (17.0)
		.700 (17.8)	.660 (16.8)
B	11	.835 (21.2)	.771 (19.6)
		.825 (21.0)	.761 (19.3)
C	13	1.020 (25.9)	.955 (24.3)
		1.010 (25.7)	.945 (24.0)
D	15	1.145 (29.1)	1.085 (27.6)
		1.135 (28.8)	1.075 (27.3)
E	17	1.270 (32.3)	1.210 (30.7)
		1.260 (32.0)	1.200 (30.5)
F	19	1.395 (35.4)	1.335 (33.9)
		1.385 (35.2)	1.325 (33.7)
G	21	1.520 (38.6)	1.460 (37.1)
		1.510 (38.4)	1.450 (36.8)
H	23	1.645 (41.8)	1.585 (40.3)
		1.635 (41.5)	1.575 (40.0)
J	25	1.770 (45.0)	1.710 (43.4)
		1.760 (44.7)	1.700 (43.2)

*Consult Factory for
Additional Filter Types,
TVS Diodes, and other
Custom Configurations.*

JAM NUT MOUNT

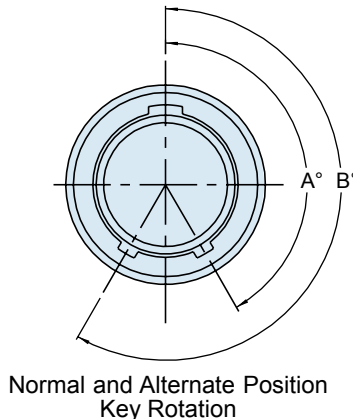
SHELL SIZE CODE	SHELL SIZE	A THREAD	Ø B	C	D	E THREAD	F THREAD	G
A	09	.6250-.1P-.3L-TS-2A	1.262 (32.1)	1.079 (27.4)	.655 (16.6)	M17 X 1.0-6g 0.100R	M12 X 1.0-6g 0.100R	.122 (3.1)
			1.248 (31.7)	1.047 (26.6)	.645 (16.4)			.083 (2.1)
B	11	.7500-.1P-.3L-TS-2A	1.386 (35.2)	1.268 (32.2)	.755 (19.2)	M20 X 1.0-6g 0.100R	M15 X 1.0-6g 0.100R	.122 (3.1)
			1.362 (34.6)	1.236 (31.4)	.745 (18.9)			.083 (2.1)
C	13	.8750-.1P-.3L-TS-2A	1.512 (38.4)	1.390 (35.3)	.942 (23.9)	M25 X 1.0-6g 0.100R	M18 X 1.0-6g 0.100R	.122 (3.1)
			1.488 (37.8)	1.358 (34.5)	.932 (23.7)			.083 (2.1)
D	15	1.000-.1P-.3L-TS-2A	1.638 (41.6)	1.516 (38.5)	1.068 (27.1)	M28 X 1.0-6g 0.100R	M22 X 1.0-6g 0.100R	.122 (3.1)
			1.614 (41.0)	1.484 (37.7)	1.058 (26.9)			.083 (2.1)
E	17	1.1875-.1P-.3L-TS-2A	1.764 (44.8)	1.642 (41.7)	1.191 (30.3)	M32 X 1.0-6g 0.100R	M25 X 1.0-6g 0.100R	.122 (3.1)
			1.740 (44.2)	1.610 (40.9)	1.181 (30.0)			.083 (2.1)
F	19	1.2500-.1P-.3L-TS-2A	1.949 (49.5)	1.827 (46.4)	1.316 (33.4)	M35 X 1.0-6g 0.100R	M28 X 1.0-6g 0.100R	.154 (3.9)
			1.925 (48.9)	1.795 (45.6)	1.306 (33.2)			.114 (2.9)
G	21	1.3750-.1P-.3L-TS-2A	2.075 (52.7)	1.953 (49.6)	1.441 (36.6)	M38 X 1.0-6g 0.100R	M31 X 1.0-6g 0.100R	.154 (3.9)
			2.051 (52.1)	1.921 (48.8)	1.431 (36.3)			.114 (2.9)
H	23	1.5000-.1P-.3L-TS-2A	2.201 (55.9)	2.079 (52.8)	1.566 (39.8)	M41 X 1.0-6g 0.100R	M34 X 1.0-6g 0.100R	.154 (3.9)
			2.177 (55.3)	2.047 (52.0)	1.556 (39.5)			.114 (2.9)
J	25	1.6250-.1P-.3L-TS-2A	2.323 (59.0)	2.205 (56.0)	1.691 (43.0)	M44 X 1.0-6g 0.100R	M37 X 1.0-6g 0.100R	.154 (3.9)
			2.299 (58.4)	2.173 (55.2)	1.681 (42.7)			.114 (2.9)

240-383D MIL-DTL-38999 Series III Filter Connector Dual Flange Wall Mount Receptacle with P.C.Tails



4-40 Helicoils
Installed per NASM 33537
Tang Removed

Position	A°	B°
A	150°	210°
B	75°	210°
C	95°	230°
D	140°	275°



Contact Size	ØU
22D	.018/.021 (0.5/0.5)
20	.029/.031 (0.7/0.8)
16	.038/.042 (1.0/1.1)

240-383D MIL-DTL-38999 Series III Filter Connector Dual Flange Wall Mount Receptacle with P.C.Tails



TABLE I: CONNECTOR CLASS

SYM	CLASS	MATERIAL	FINISH DESCRIPTION
M	Environmental	Aluminum	Electroless Nickel
MT	Environmental	Aluminum	Nickel Fluorocarbon Polymer (Ni-PTFE)
NF	Environmental	Aluminum	Cad. O.D. Over Electroless Nickel
P	Environmental	Stainless	Electro-Deposited Nickel
XM	Environmental	Composite	Electroless Nickel
XMT	Environmental	Composite	Nickel Fluorocarbon Polymer (Ni-PTFE)
XW	Environmental	Composite	Cad. O.D. Over Electroless Nickel
ZN	Environmental	Aluminum	Zinc-Nickel Over Electroless Nickel
H2*	Hermetic	Stainless	Electroless Nickel

* Some dimensions do not apply, see sales drawing 240-383JH2

Consult Factory for Additional Filter Types, TVS Diodes, and other Custom Configurations.

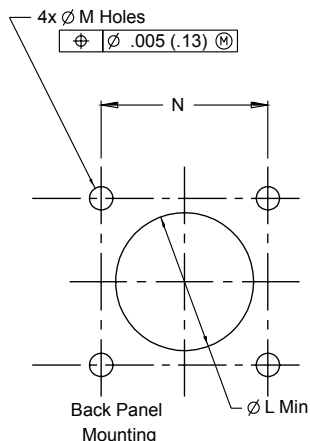
TABLE II: CAPACITOR ARRAY CODE CAPACITANCE RANGE

CLASS	PI - CIRCUIT (pF)	C - CIRCUIT (pF)
X*	160,000 - 240,000	80,000 - 120,000
Y*	80,000 - 120,000	40,000 - 60,000
Z*	60,000 - 90,000	30,000 - 45,000
A	38,000 - 56,000	19,000 - 28,000
B	32,000 - 45,000	16,000 - 22,500
C	18,000 - 33,000	9,000 - 16,500
D	8,000 - 12,000	4,000 - 6,000
E	3,300 - 5,000	1,650 - 2,500
F	800 - 1,300	400 - 650
G	400 - 600	200 - 300

* Reduced DWV – Please consult factory.

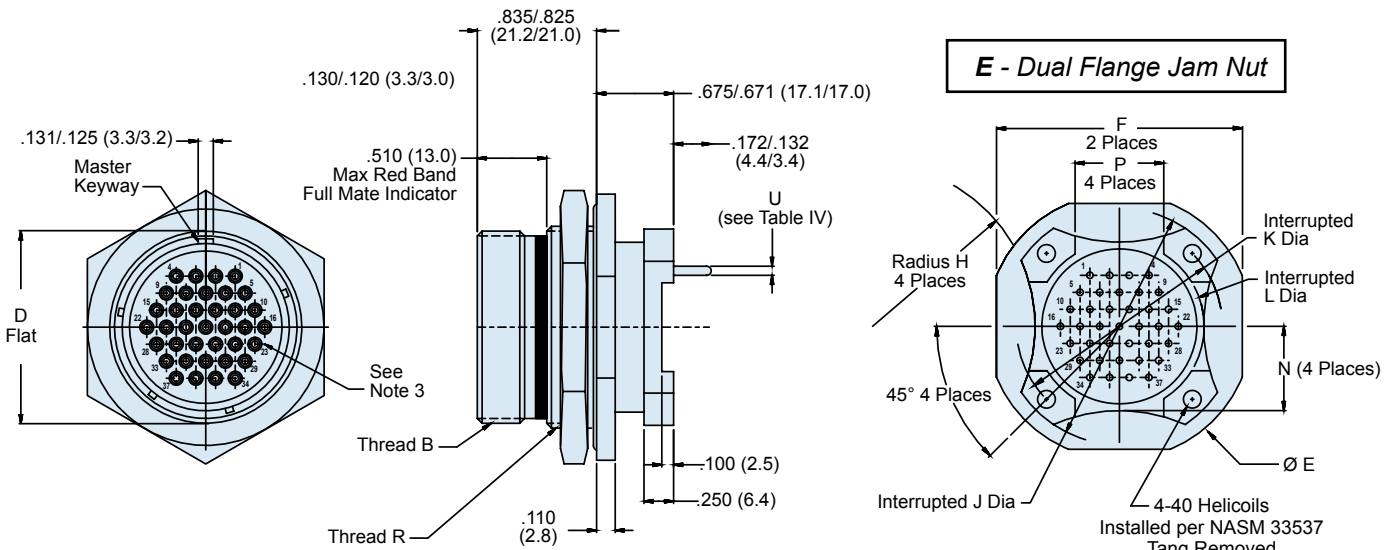
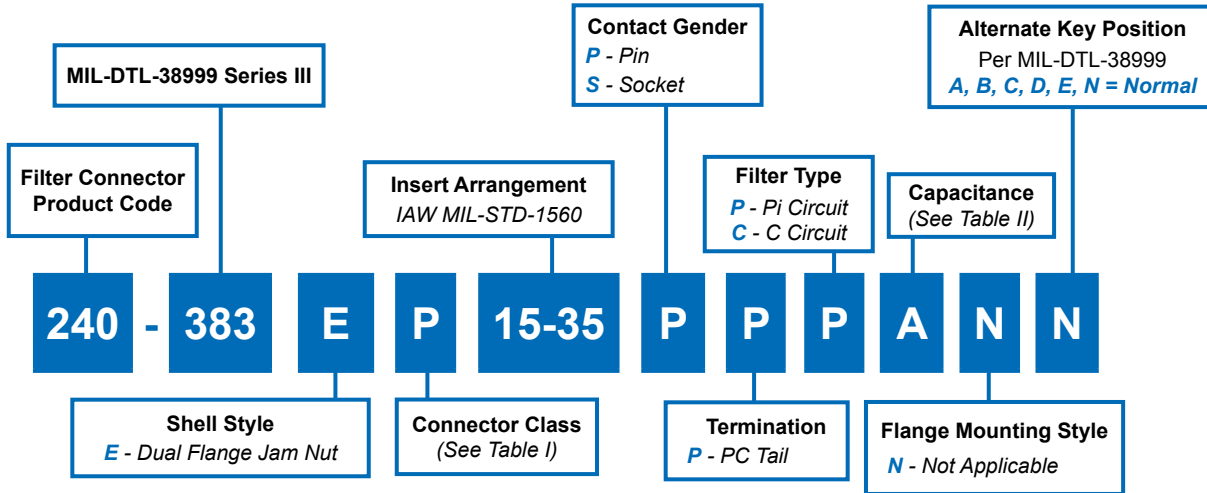
TABLE III: DIMENSIONS

SHELL SIZE	B THREAD (PLATED)	P +/- .01 (.25)	R BSC	S +/- .012 (.3)	ØJ +/- .005 (.13)	ØK BSC	ØL +/- .005 (.13)	H +/- .020 (.51)	N +/- .020 (.51)	ØQ ± .010
9	.625-.1P-.3L-TS-2A	.225 (5.7)	.719 (18.3)	.937 (23.8)	1.016 (25.8)	.752 (19.1)	.532 (13.5)	.225 (5.7)	.275 (7.0)	.128 (3.3)
11	.7500-.1P-.3L-TS-2A	.250 (6.4)	.812 (20.6)	1.181 (30.0)	1.062 (27.0)	.850 (21.6)	.595 (15.1)	.250 (6.4)	.290 (7.4)	
13	.8750-.1P-.3L-TS-2A	.250 (6.4)	.906 (23.0)	1.277 (32.4)	1.250 (31.8)	.994 (25.2)	.720 (18.3)	.375 (9.5)	.370 (9.4)	
15	1.000-.1P-.3L-TS-2A	.325 (8.2)	.969 (24.6)	1.371 (34.8)	1.375 (34.9)	1.119 (28.4)	.843 (21.4)	.438 (11.1)	.440 (11.2)	
17	1.1875-.1P-.3L-TS-2A	.375 (9.5)	1.062 (27.0)	1.462 (37.1)	1.500 (38.1)	1.237 (31.4)	1.000 (25.4)	.562 (14.3)	.495 (12.6)	
19	1.2500-.1P-.3L-TS-2A	.500 (12.7)	1.156 (29.4)	1.588 (40.3)	1.625 (41.3)	1.379 (35.0)	1.125 (28.6)	.875 (22.2)	.540 (13.7)	
21	1.3750-.1P-.3L-TS-2A	.562 (14.3)	1.250 (31.8)	1.714 (43.5)	1.750 (44.5)	1.489 (37.8)	1.240 (31.5)	1.170 (29.7)	.625 (15.9)	
23	1.5000-.1P-.3L-TS-2A	.688 (17.5)	1.375 (34.9)	1.840 (46.7)	1.875 (47.6)	1.619 (41.1)	1.328 (33.7)	1.250 (31.8)	.660 (16.8)	.156 (4.0)
25	1.6250-.1P-.3L-TS-2A	.750 (19.1)	1.500 (38.1)	1.962 (49.8)	2.000 (50.8)	1.744 (44.3)	1.453 (36.9)	1.375 (34.9)	.740 (18.8)	



Panel Cutout Dimensions

Shell Size	Ø L Min	M Holes	N BSC
09	.516 (13.1)	.133 (3.4) .123 (3.1)	.719 (18.3)
11	.625 (15.9)	.133 (3.4) .123 (3.1)	.812 (20.6)
13	.750 (19.1)	.133 (3.4) .123 (3.1)	.906 (23.0)
15	.906 (23.0)	.133 (3.4) .123 (3.1)	.969 (24.6)
17	1.016 (25.8)	.133 (3.4) .123 (3.1)	1.062 (27.0)
19	1.141 (29.0)	.133 (3.4) .123 (3.1)	1.156 (29.4)
21	1.266 (32.2)	.133 (3.4) .123 (3.1)	1.250 (31.8)
23	1.375 (34.9)	.159 (4.0) .149 (3.8)	1.375 (34.9)
25	1.484 (37.7)	.155 (3.9) .145 (3.7)	1.500 (38.1)



**TABLE IV:
PC TAIL DIAMETER**

Contact Size	Ø U
22D	.018/.021 (0.5/0.5)
20	.029/.031 (0.7/0.8)
16	.038/.042 (1.0/1.1)

240-383E
MIL-DTL-38999 Series III Filter Connector
Dual Flange Jam Nut Receptacle



TABLE I: CONNECTOR CLASS

SYM	CLASS	MATERIAL	FINISH DESCRIPTION
M	Environmental	Aluminum	Electroless Nickel
MT	Environmental	Aluminum	Nickel Fluorocarbon Polymer (Ni-PTFE)
NF	Environmental	Aluminum	Cad. O.D. Over Electroless Nickel
P	Environmental	Stainless	Electro-Deposited Nickel
XM	Environmental	Composite	Electroless Nickel
XMT	Environmental	Composite	Nickel Fluorocarbon Polymer (Ni-PTFE)
XW	Environmental	Composite	Cad. O.D. Over Electroless Nickel
ZN	Environmental	Aluminum	Zinc-Nickel Over Electroless Nickel
H2*	Hermetic	Stainless	Electroless Nickel

* Some dimensions do not apply, see sales drawing 240-383JH2

**MIL-DTL-38999 Series III
Jam Nut Panel Cutout**

SHELL SIZE	Ø H	J
09	.710 (18.0)	.670 (17.0)
	.700 (17.8)	.660 (16.8)
11	.835 (21.2)	.771 (19.6)
	.825 (21.0)	.761 (19.3)
13	1.020 (25.9)	.955 (24.3)
	1.010 (25.7)	.945 (24.0)
15	1.145 (29.1)	1.085 (27.6)
	1.135 (28.8)	1.075 (27.3)
17	1.270 (32.3)	1.210 (30.7)
	1.260 (32.0)	1.200 (30.5)
19	1.395 (35.4)	1.335 (33.9)
	1.385 (35.2)	1.325 (33.7)
21	1.520 (38.6)	1.460 (37.1)
	1.510 (38.4)	1.450 (36.8)
23	1.645 (41.8)	1.585 (40.3)
	1.635 (41.5)	1.575 (40.0)
25	1.770 (45.0)	1.710 (43.4)
	1.760 (44.7)	1.700 (43.2)

**TABLE II: CAPACITOR ARRAY CODE
CAPACITANCE RANGE**

CLASS	PI - CIRCUIT (pF)	C - CIRCUIT (pF)
X*	160,000 - 240,000	80,000 - 120,000
Y*	80,000 - 120,000	40,000 - 60,000
Z*	60,000 - 90,000	30,000 - 45,000
A	38,000 - 56,000	19,000 - 28,000
B	32,000 - 45,000	16,000 - 22,500
C	18,000 - 33,000	9,000 - 16,500
D	8,000 - 12,000	4,000 - 6,000
E	3,300 - 5,000	1,650 - 2,500
F	800 - 1,300	400 - 650
G	400 - 600	200 - 300

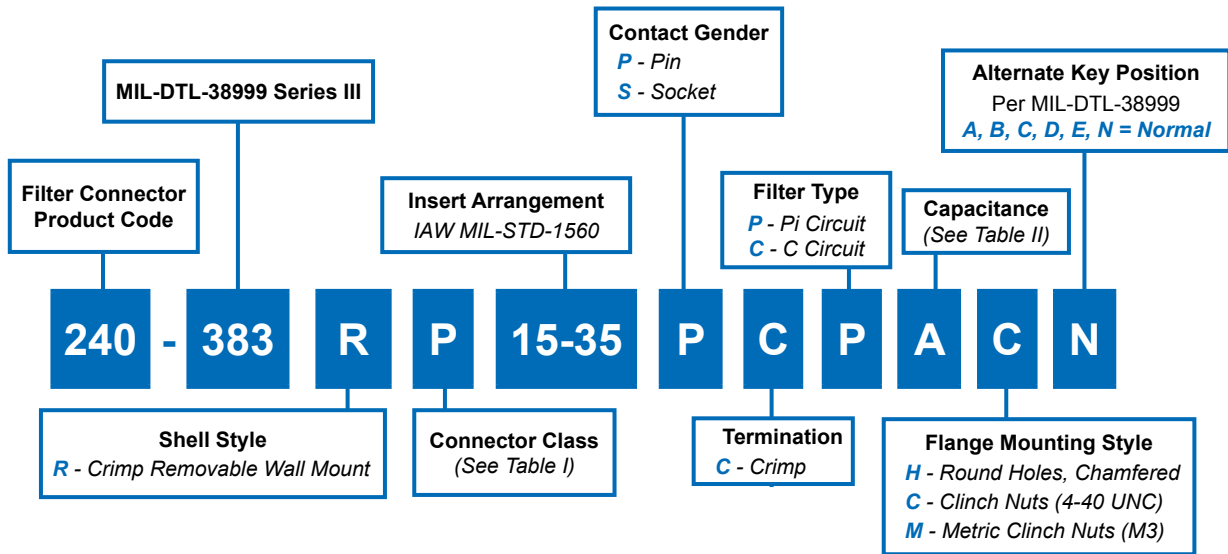
* Reduced DWV – Please consult factory.

*Consult Factory for
Additional Filter Types,
TVS Diodes, and other
Custom Configurations.*

TABLE III: DIMENSIONS

SHELL SIZE	B Thread (Plated)	D ± .005	Ø E ± .012	F ± .016	P ± .010 (0.25)	R Thread Metric (Plated)	J Dia ± .005 (0.13)	K Dia Basic	L Dia ± .005 (0.13)	H ± .020 (0.51)	N ± .020 (0.51)
9	.625- .1P- .3L-TS-2A	.651 (16.5)	1.250 (31.8)	1.063 (27.0)	.225 (5.7)	M17 x 1-6g-0.10R	1.016 (25.8)	.752 (19.1)	.532 (13.5)	.225 (5.7)	.275 (7.0)
11	.7500- .1P- .3L-TS-2A	.751 (19.1)	1.377 (35.0)	1.259 (32.0)	.250 (6.4)	M20 x 1-6g-0.10R	1.062 (27.0)	.850 (21.6)	.595 (15.1)	.250 (6.4)	.290 (7.4)
13	.8750- .1P- .3L-TS-2A	.937 (23.8)	1.500 (38.1)	1.374 (34.9)	.250 (6.4)	M25 x 1-6g-0.10R	1.250 (31.8)	.994 (25.2)	.720 (18.3)	.375 (9.5)	.370 (9.4)
15	1.0000- .1P- .3L-TS-2A	1.063 (27.0)	1.625 (41.3)	1.500 (38.1)	.325 (8.2)	M28 x 1-6g-0.10R	1.375 (34.9)	1.119 (28.4)	.843 (21.4)	.438 (11.1)	.440 (11.2)
17	1.8750- .1P- .3L-TS-2A	1.187 (30.2)	1.750 (44.5)	1.625 (41.3)	.375 (9.5)	M32 x 1-6g-0.10R	1.500 (38.1)	1.237 (31.4)	1.000 (25.4)	.562 (14.3)	.495 (12.6)
19	1.2500- .1P- .3L-TS-2A	1.311 (33.3)	1.937 (49.2)	1.822 (46.3)	.500 (12.7)	M35 x 1-6g-0.10R	1.625 (41.3)	1.379 (35.0)	1.125 (28.6)	.875 (22.2)	.540 (13.7)
21	1.3750- .1P- .3L-TS-2A	1.434 (36.4)	2.063 (52.4)	1.940 (49.3)	.562 (14.3)	M38 x 1-6g-0.10R	1.750 (44.5)	1.489 (37.8)	1.240 (31.5)	1.170 (29.7)	.625 (15.9)
23	1.5000- .1P- .3L-TS-2A	1.561 (39.7)	2.190 (55.6)	2.073 (52.7)	.688 (17.5)	M41 x 1-6g-0.10R	1.875 (47.6)	1.619 (41.1)	1.328 (33.7)	1.250 (31.8)	.660 (16.8)
25	1.6250- .1P- .3L-TS-2A	1.687 (42.9)	2.311 (58.7)	2.189 (55.6)	.750 (19.1)	M44 x 1-6g-0.10R	2.000 (50.8)	1.744 (44.3)	1.453 (36.9)	1.375 (34.9)	.740 (18.8)

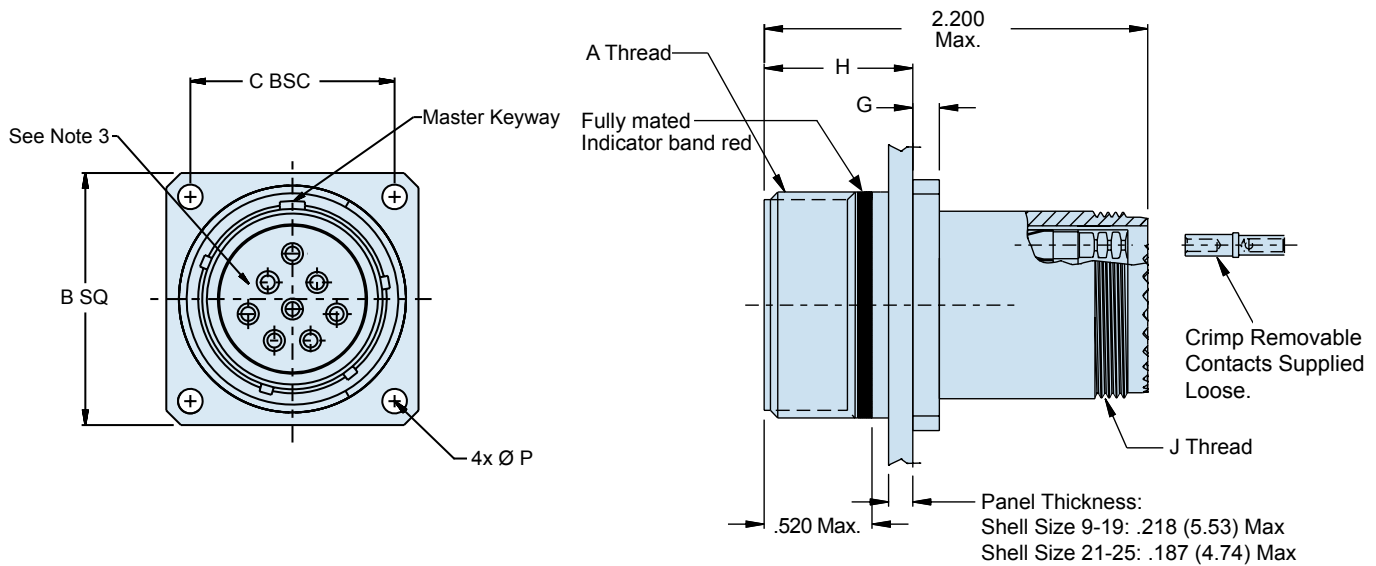
240-383R MIL-DTL-38999 Series III Filter Connector Wall Mount Receptacle with Crimp Removable Socket Contacts



NOTE: Crimp removable socket contacts to conform to MIL-C-39029/57-358, Size 16, MIL-C-39029/57-357 Size 20, and MIL-C-39029/57-354 Size 22D (Supplied loose).

Clinch Nuts and Metric Clinch Nuts Not Available for Composites

R - Wall Mount with Crimp Removable Socket Contacts

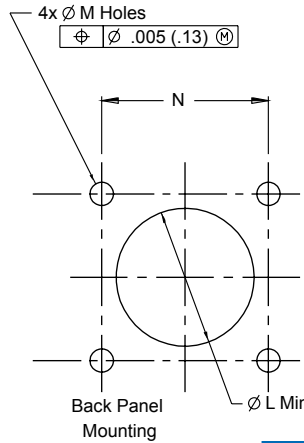


240-383R MIL-DTL-38999 Series III Filter Connector Wall Mount Receptacle with Crimp Removable Socket Contacts



EMI/EMP
Filters

Panel Cutout Dimensions			
Shell Size	ø L Min	M Holes	N BSC
09	.516 (13.1)	.133 (3.4) .123 (3.1)	.719 (18.3)
11	.625 (15.9)	.133 (3.4) .123 (3.1)	.812 (20.6)
13	.750 (19.1)	.133 (3.4) .123 (3.1)	.906 (23.0)
15	.906 (23.0)	.133 (3.4) .123 (3.1)	.969 (24.6)
17	1.016 (25.8)	.133 (3.4) .123 (3.1)	1.062 (27.0)
19	1.141 (29.0)	.133 (3.4) .123 (3.1)	1.156 (29.4)
21	1.266 (32.2)	.133 (3.4) .123 (3.1)	1.250 (31.8)
23	1.375 (34.9)	.159 (4.0) .149 (3.8)	1.375 (34.9)
25	1.484 (37.7)	.155 (3.9) .145 (3.7)	1.500 (38.1)



*Consult Factory for
Additional Filter Types,
TVS Diodes, and other
Custom Configurations.*

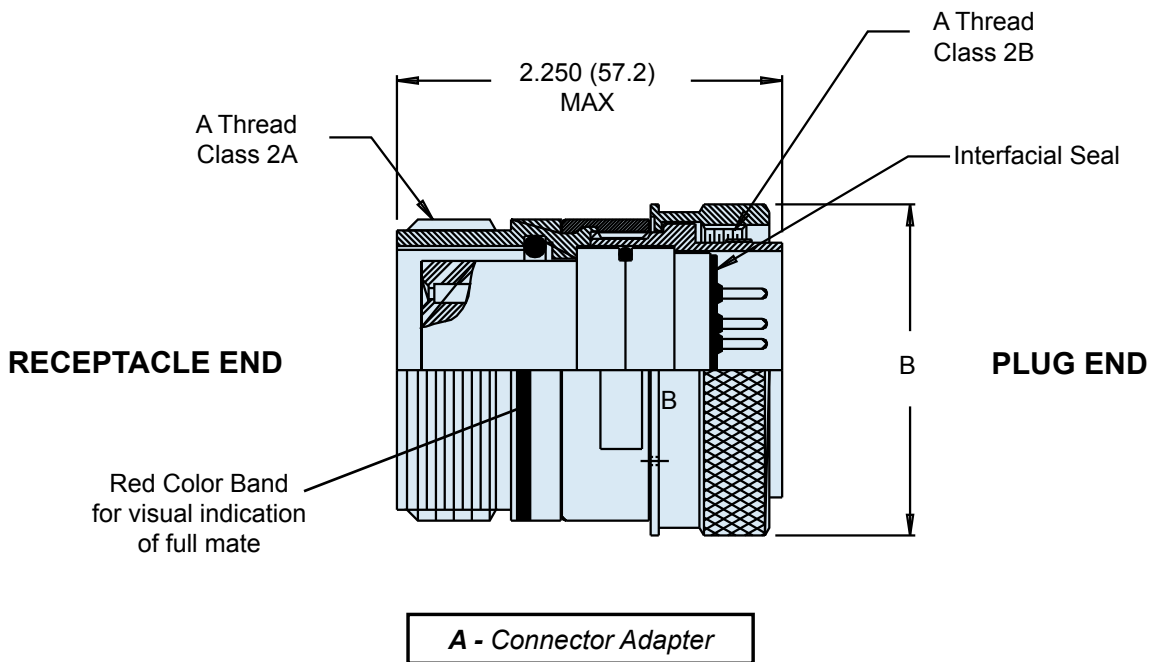
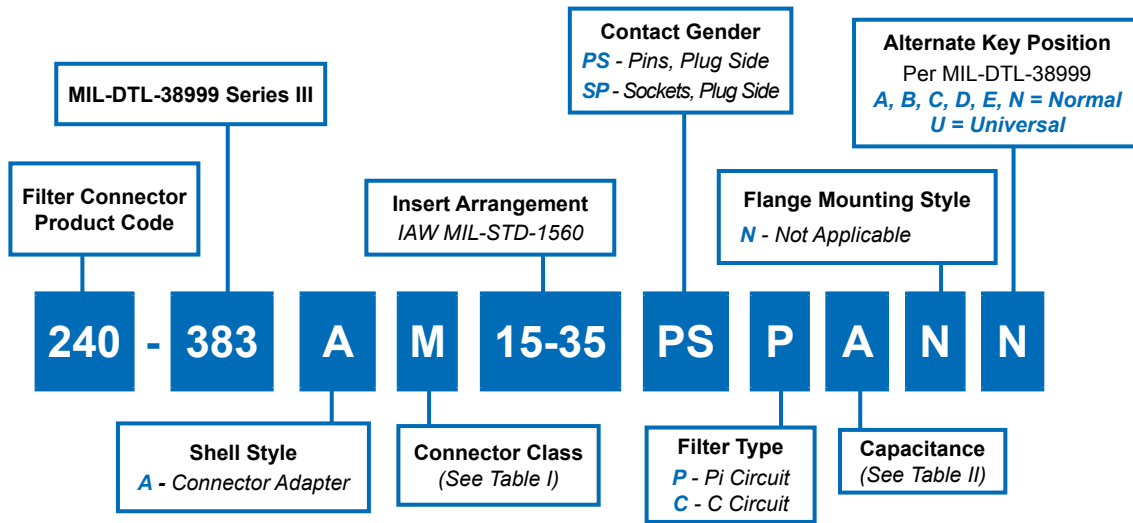
TABLE I: CONNECTOR CLASS			
SYM	CLASS	MATERIAL	FINISH DESCRIPTION
M	Environmental	Aluminum	Electroless Nickel
MT	Environmental	Aluminum	Nickel Fluorocarbon Polymer (Ni-PTFE)
NF	Environmental	Aluminum	Cad. O.D. Over Electroless Nickel
P	Environmental	Stainless	Electro-Deposited Nickel
XM	Environmental	Composite	Electroless Nickel
XMT	Environmental	Composite	Nickel Fluorocarbon Polymer (Ni-PTFE)
XW	Environmental	Composite	Cad. O.D. Over Electroless Nickel
ZN	Environmental	Aluminum	Zinc-Nickel Over Electroless Nickel
H2*	Hermetic	Stainless	Electroless Nickel

* Some dimensions do not apply, see sales drawing 240-383JH2

TABLE II: CAPACITOR ARRAY CODE CAPACITANCE RANGE		
CLASS	PI - CIRCUIT (pF)	C - CIRCUIT (pF)
X*	160,000 - 240,000	80,000 - 120,000
Y*	80,000 - 120,000	40,000 - 60,000
Z*	60,000 - 90,000	30,000 - 45,000
A	38,000 - 56,000	19,000 - 28,000
B	32,000 - 45,000	16,000 - 22,500
C	18,000 - 33,000	9,000 - 16,500
D	8,000 - 12,000	4,000 - 6,000
E	3,300 - 5,000	1,650 - 2,500
F	800 - 1,300	400 - 650
G	400 - 600	200 - 300

* Reduced DWV – Please consult factory.

WALL MOUNT WITH CRIMP CONTACTS											
SHELL SIZE CODE	SHELL SIZE	A THREAD	B SQ	C BSC	D BSC	E	F	G	H	J THREAD	PØ ± .010
A	09	.6250-.1P-.3L-TS-2A	0.949 (24.1) 0.925 (23.5)	.719 (18.3)	.594 (15.1)	.136 (3.5) .120 (3.0)	.224 (5.7) .208 (5.3)		.820 (20.8) .771 (19.6)	M12 X 1.0-6g 0.100R	
B	11	.7500-.1P-.3L-TS-2A	1.043 (26.5) 1.019 (25.9)	.812 (20.6)	.719 (18.3)	.136 (3.5) .120 (3.0)	.202 (5.1) .186 (4.7)		.820 (20.8) .771 (19.6)	M15 X 1.0-6g 0.100R	
C	13	.8750-.1P-.3L-TS-2A	1.138 (28.9) 1.114 (28.3)	.906 (23.0)	.812 (20.6)	.136 (3.5) .120 (3.0)	.202 (5.1) .186 (4.7)	.143 (3.6)	.820 (20.8) .771 (19.6)	M18 X 1.0-6g 0.100R	
D	15	1.000-.1P-.3L-TS-2A	1.232 (31.3) 1.208 (30.7)	.969 (24.6)	.906 (23.0)	.136 (3.5) .120 (3.0)	.202 (5.1) .186 (4.7)	.083 (2.1)	.820 (20.8) .771 (19.6)	M22 X 1.0-6g 0.100R	.128 (3.3)
E	17	1.1875-.1P-.3L-TS-2A	1.323 (33.6) 1.299 (33.0)	1.062 (27.0)	.969 (24.6)	.136 (3.5) .120 (3.0)	.202 (5.1) .186 (4.7)		.820 (20.8) .771 (19.6)	M25 X 1.0-6g 0.100R	
F	19	1.2500-.1P-.3L-TS-2A	1.449 (36.8) 1.425 (36.2)	1.156 (29.4)	1.062 (27.0)	.136 (3.5) .120 (3.0)	.202 (5.1) .186 (4.7)		.820 (20.8) .771 (19.6)	M28 X 1.0-6g 0.100R	
G	21	1.3750-.1P-.3L-TS-2A	1.575 (40.0) 1.551 (39.4)	1.250 (31.8)	1.156 (29.4)	.136 (3.5) .120 (3.0)	.202 (5.1) .186 (4.7)		.790 (20.1) .741 (18.8)	M31 X 1.0-6g 0.100R	
H	23	1.5000-.1P-.3L-TS-2A	1.701 (43.2) 1.677 (42.6)	1.375 (34.9)	1.250 (31.8)	.162 (4.1) .146 (3.7)	.250 (6.4) .083 (2.1)	.171 (4.3) .083 (2.1)	.790 (20.1) .741 (18.8)	M34 X 1.0-6g 0.100R	
J	25	1.6250-.1P-.3L-TS-2A	1.823 (46.3) 1.799 (45.7)	1.500 (38.1)	1.375 (34.9)	.162 (4.1) .146 (3.7)	.250 (6.4) .083 (2.1)		.790 (20.1) .741 (18.8)	M37 X 1.0-6g 0.100R	.156 (4.0)



* Please consult factory for Pin/Pin and/or Socket/Socket contact arrangements.

240-383A MIL-DTL-38999 Series III Filter Connector Connector Adapter



EMI/EMP
Filters

TABLE I: CONNECTOR CLASS

SYM	CLASS	MATERIAL	FINISH DESCRIPTION
M	Environmental	Aluminum	Electroless Nickel
MT	Environmental	Aluminum	Nickel Fluorocarbon Polymer (Ni-PTFE)
NF	Environmental	Aluminum	Cad. O.D. Over Electroless Nickel
P	Environmental	Stainless	Electro-Deposited Nickel
ZN	Environmental	Aluminum	Zinc-Nickel Over Electroless Nickel
H2*	Hermetic	Stainless	Electroless Nickel

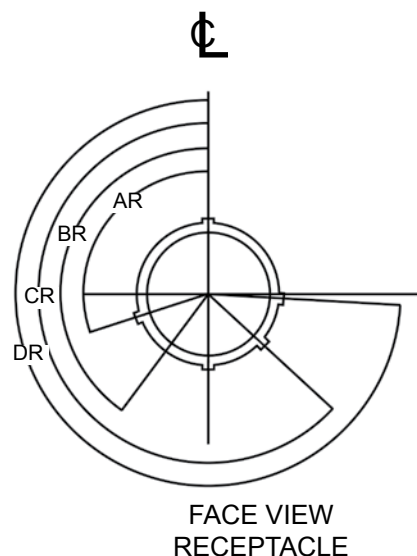
*Consult Factory for
Additional Filter Types,
TVS Diodes, and other
Custom Configurations.*

* Some dimensions do not apply, see sales drawing 240-383JH2

**TABLE II: CAPACITOR ARRAY CODE
CAPACITANCE RANGE**

CLASS	PI - CIRCUIT (pF)	C - CIRCUIT (pF)
X*	160,000 - 240,000	80,000 - 120,000
Y*	80,000 - 120,000	40,000 - 60,000
Z*	60,000 - 90,000	30,000 - 45,000
A	38,000 - 56,000	19,000 - 28,000
B	32,000 - 45,000	16,000 - 22,500
C	18,000 - 33,000	9,000 - 16,500
D	8,000 - 12,000	4,000 - 6,000
E	3,300 - 5,000	1,650 - 2,500
F	800 - 1,300	400 - 650
G	400 - 600	200 - 300

* Reduced DWV – Please consult factory.



DIMENSIONS

SHELL SIZE CODE	SHELL SIZE	A THREAD CLASS 2	B DIA. MAX
A-1	09	.6250- .1P- .3L-TS-2A	.858 (21.8)
B-1	11	.7500- .1P- .3L-TS-2A	.984 (25.0)
C-1	13	.8750- .1P- .3L-TS-2A	1.157 (29.4)
D-1	15	1.000- .1P- .3L-TS-2A	1.280 (32.5)
E-1	17	1.1875- .1P- .3L-TS-2A	1.406 (35.7)
F-1	19	1.2500- .1P- .3L-TS-2A	1.516 (38.5)
G-1	21	1.3750- .1P- .3L-TS-2A	1.642 (41.7)
H-1	23	1.5000- .1P- .3L-TS-2A	1.768 (44.9)
J-1	25	1.6250- .1P- .3L-TS-2A	1.890 (48.0)

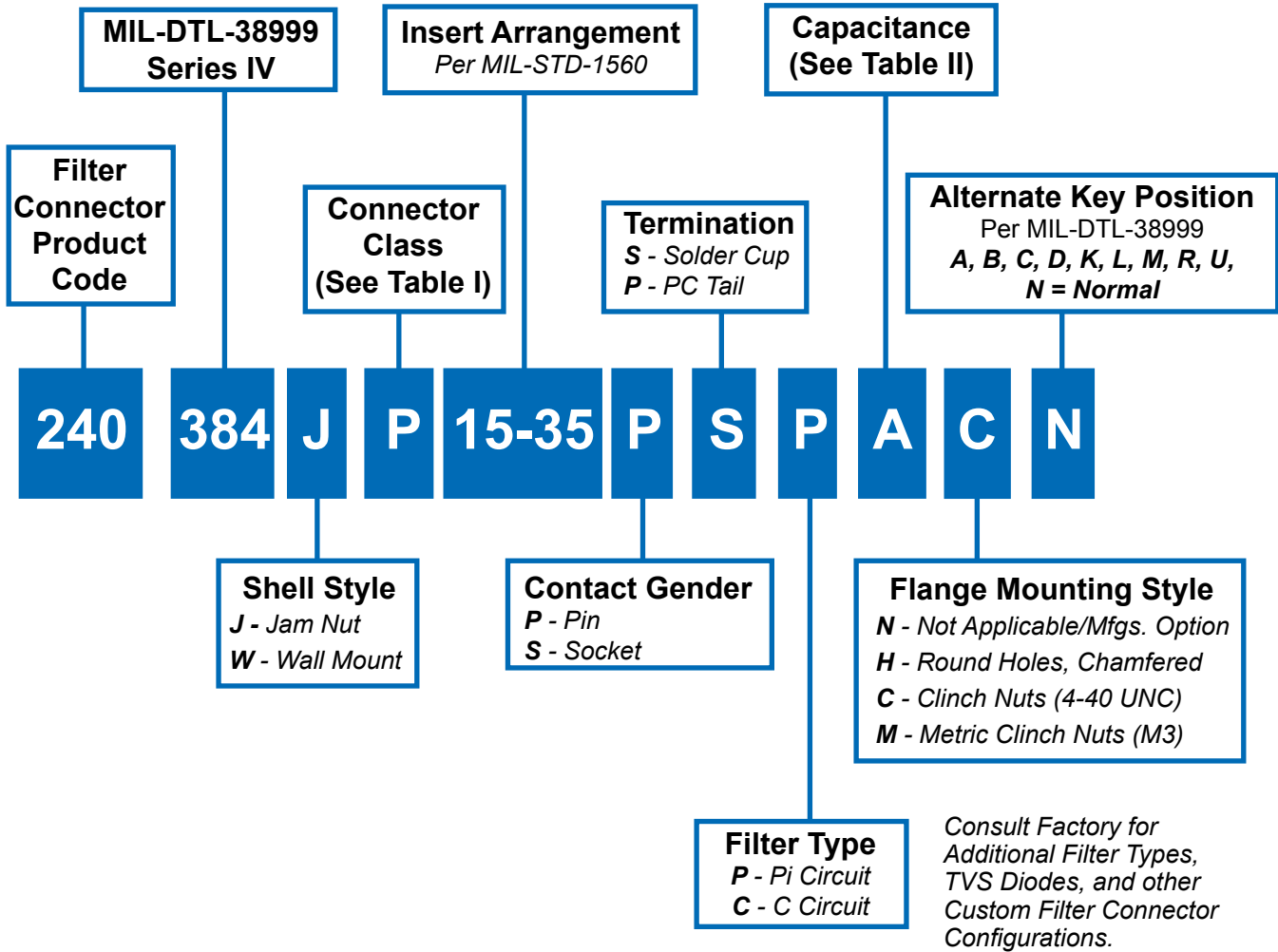


TABLE I: CONNECTOR CLASS

SYM	CLASS	MATERIAL	FINISH DESCRIPTION
M	Environmental	Aluminum	Electroless Nickel
MT	Environmental	Aluminum	Nickel Fluorocarbon Polymer (Ni-PTFE)
NF	Environmental	Aluminum	Cadmium O.D. Over Electroless Nickel
P	Environmental	Stainless Steel	Electro-Deposited Nickel
ZN	Environmental	Aluminum	Zinc-Nickel Over Electroless Nickel
H2	Hermetic	Stainless Steel	Electroless Nickel

**Glenair MIL-DTL-38999 Series IV Type
Filter Connector with Breech-Lock Coupling
Reference Information**



**TABLE II: CAPACITOR ARRAY CODE
CAPACITANCE RANGE**

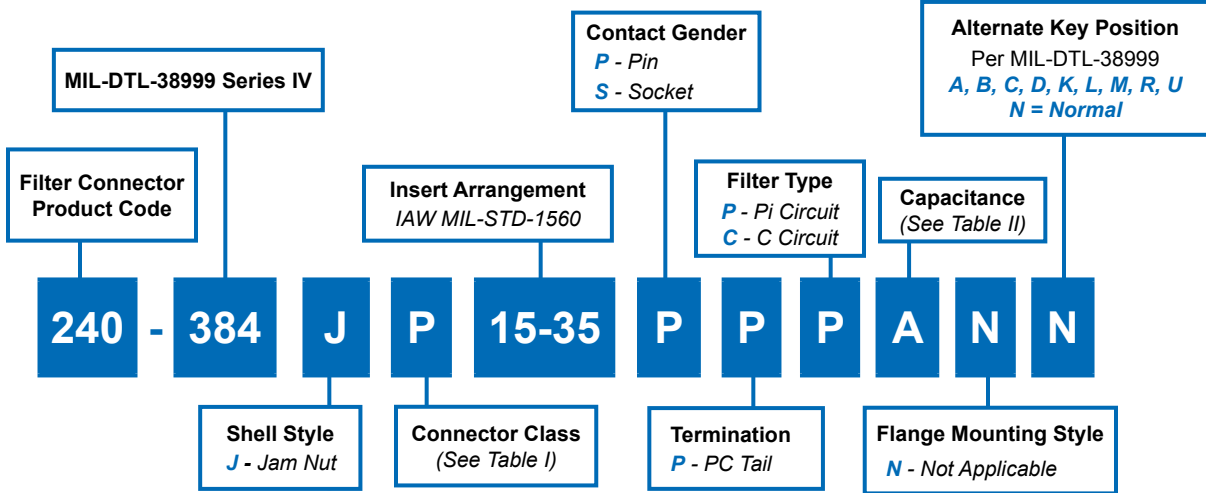
CLASS	PI - CIRCUIT (pF)	C - CIRCUIT (pF)
X*	160,000 - 240,000	80,000 - 120,000
Y*	80,000 - 120,000	40,000 - 60,000
Z*	60,000 - 90,000	30,000 - 45,000
A	38,000 - 56,000	19,000 - 28,000
B	32,000 - 45,000	16,000 - 22,500
C	18,000 - 33,000	9,000 - 16,500
D	8,000 - 12,000	4,000 - 6,000
E	3,300 - 5,000	1,650 - 2,500
F	800 - 1,300	400 - 650
G	400 - 600	200 - 300

* Reduced DWV – Please consult factory.

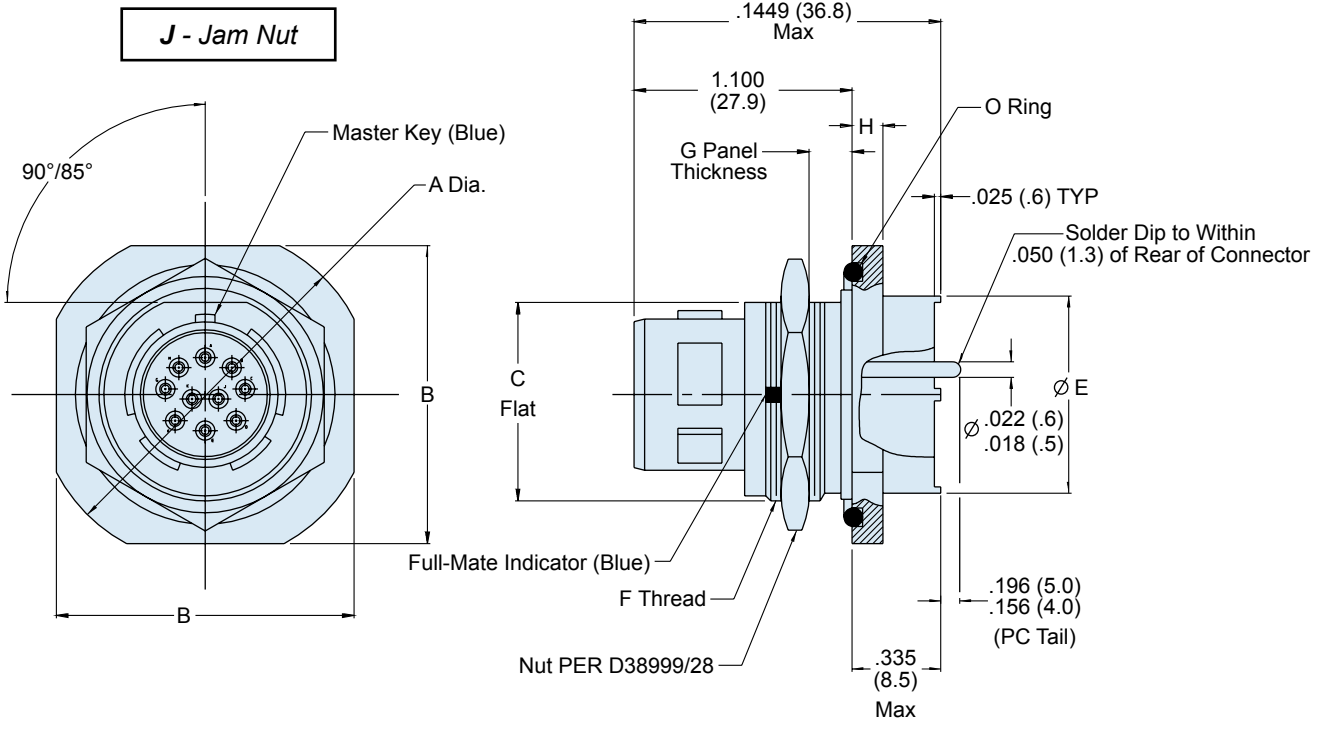
APPLICATION NOTES

- Materials/Finishes: Shells, Barrel, Coupling Nut, Jam Nut - See Table I
Insulators - high grade rigid dielectric/N.A.
Seals - Fluorosilicone
PC Tail & Solder Cup contacts: 50µ" Gold over 50µ" Nickel
- Assembly to be identified with Glenair's name, part number, and date code - space permitting.
- Insert Arrangement in accordance with MIL-STD-1560.
(Arrangement shown for reference only)
- EMI Circular Filter Receptacle connector designed to meet requirements of MIL-STD-2120 and MIL-DTL-38999, Series IV.
- All contacts to have identical filter value. Other filter arrangements available, contact factory.
- Electrical Ratings: DWV- 500 VDC Min.; Standard Operating Voltage 200 Volts DC; Current Rating 5 Amps (size 22);
- Insulation Resistance: 5000 MegOhms Min. at 200 VDC.
- Operating Temperature -55°C to +125°C (Env Class Connectors)
- Other filter styles (C-L, L-C, Unbalanced PI, Multi-Stage, Multi-Value) are available, please consult the factory.
- Metric Dimensions (mm) are indicated in parentheses.

240-384J MIL-DTL-38999 Series IV Filter Connector Jam Nut Receptacle



C



240-384J
MIL-DTL-38999 Series IV Filter Connector
Jam Nut Receptacle

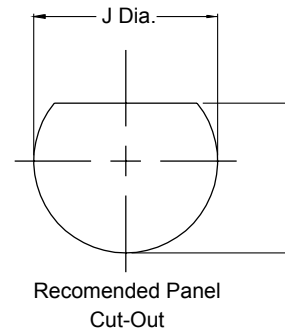


TABLE I: CONNECTOR CLASS

SYM	CLASS	MATERIAL	FINISH DESCRIPTION
M	Environmental	Aluminum	Electroless Nickel
MT	Environmental	Aluminum	Nickel Fluorocarbon Polymer (Ni-PTFE)
NF	Environmental	Aluminum	Cadmium O.D. Over Electroless Nickel
P	Environmental	Stainless Steel	Electro-Deposited Nickel
ZN	Environmental	Aluminum	Zinc-Nickel Over Electroless Nickel
H2	Hermetic	Stainless Steel	Electroless Nickel

TABLE II: CAPACITOR ARRAY CODE CAPACITANCE RANGE

CLASS	PI - CIRCUIT (pF)	C - CIRCUIT (pF)
X*	160,000 - 240,000	80,000 - 120,000
Y*	80,000 - 120,000	40,000 - 60,000
Z*	60,000 - 90,000	30,000 - 45,000
A	38,000 - 56,000	19,000 - 28,000
B	32,000 - 45,000	16,000 - 22,500
C	18,000 - 33,000	9,000 - 16,500
D	8,000 - 12,000	4,000 - 6,000
E	3,300 - 5,000	1,650 - 2,500
F	800 - 1,300	400 - 650
G	400 - 600	200 - 300

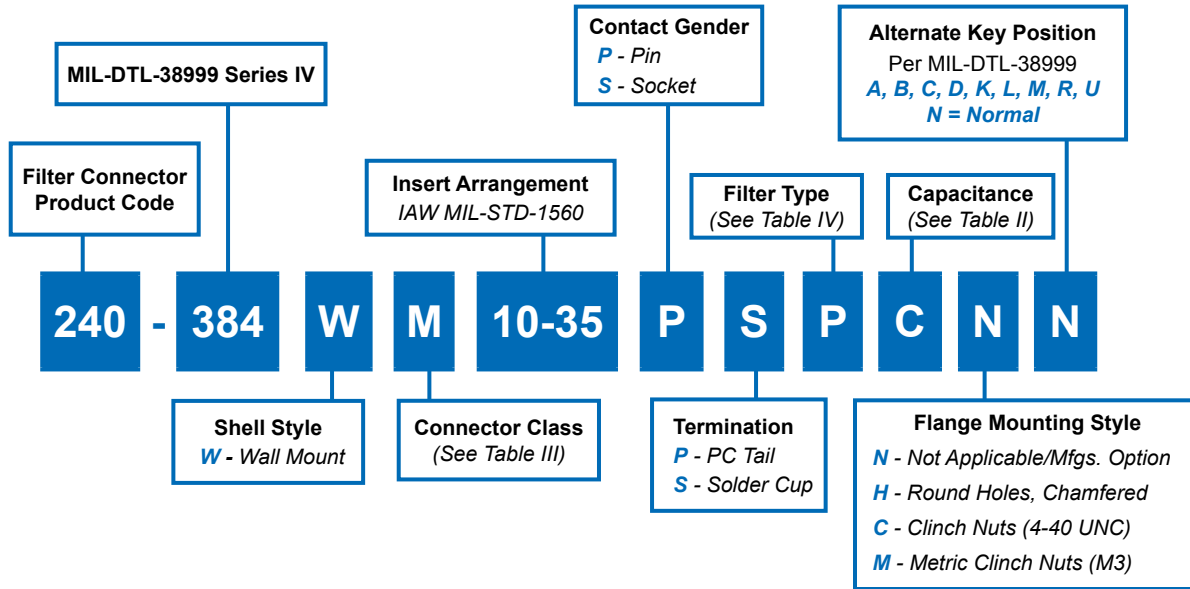


* Reduced DWV – Please consult factory.

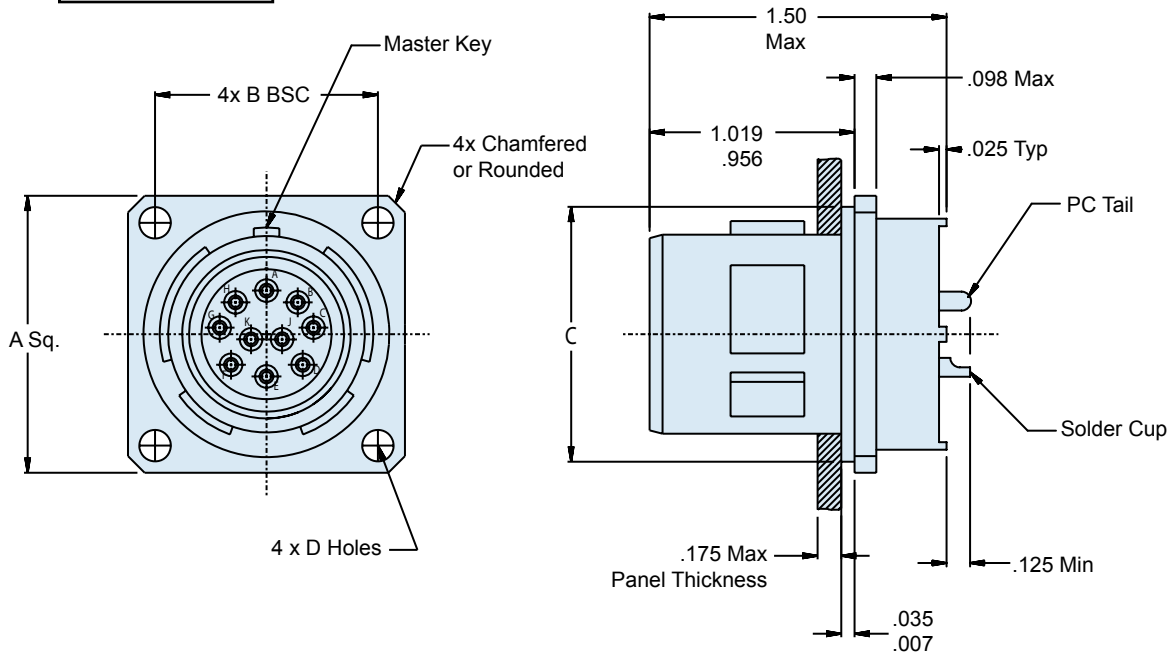
TABLE III: DIMENSIONS

SHELL SIZE CODE	SHELL SIZE	A Diameter	B	C FLAT	E DIAMETER	F THREAD ISO METRIC	G	H	J Diameter	K
B	11	1.385 (35.2)	1.267 (32.2)	.754 (19.2)	.779 (19.8)	M20 X 1.0-6g	.125 (3.2)	.118 (3.0)	.832 (21.1)	.769 (19.5)
		1.362 (34.6)	1.232 (31.3)	.745 (18.9)	.759 (19.3)		.059 (1.5)	.094 (2.4)	.822 (20.9)	.759 (19.3)
C	13	1.511 (38.4)	1.393 (35.4)	.941 (23.9)	.909 (23.1)	M25 X 1.0-6g	.125 (3.2)	.118 (3.0)	1.017 (25.8)	.955 (24.3)
		1.488 (37.8)	1.358 (34.5)	.932 (23.7)	.889 (22.6)		.059 (1.5)	.094 (2.4)	1.007 (25.6)	.945 (24.0)
D	15	1.637 (41.6)	1.519 (38.6)	1.065 (27.1)	1.035 (26.3)	M28 X 1.0-6g	.125 (3.2)	.118 (3.0)	1.144 (29.1)	1.084 (27.5)
		1.614 (41.0)	1.484 (37.7)	1.056 (26.8)	1.015 (25.8)		.059 (1.5)	.094 (2.4)	1.134 (28.8)	1.074 (27.3)
E	17	1.763 (44.8)	1.641 (41.7)	1.190 (30.2)	1.157 (29.4)	M32 X 1.0-6g	.125 (3.2)	.118 (3.0)	1.271 (32.3)	1.208 (30.7)
		1.740 (44.2)	1.606 (40.8)	1.181 (30.0)	1.137 (28.9)		.059 (1.5)	.094 (2.4)	1.261 (32.0)	1.198 (30.4)
F	19	1.948 (49.5)	1.830 (46.5)	1.316 (33.4)	1.283 (32.6)	M35 X 1.0-6g	.125 (3.2)	.149 (3.8)	1.394 (35.4)	1.333 (33.9)
		1.925 (48.9)	1.795 (45.6)	1.306 (33.2)	1.263 (32.1)		.059 (1.5)	.125 (3.2)	1.384 (35.2)	1.323 (33.6)
G	21	2.074 (52.7)	1.956 (49.7)	1.441 (36.6)	1.409 (35.8)	M38 X 1.0-6g	.125 (3.2)	.149 (3.8)	1.517 (38.5)	1.459 (37.1)
		2.051 (52.1)	1.921 (48.8)	1.431 (36.3)	1.389 (35.3)		.059 (1.5)	.125 (3.2)	1.507 (38.3)	1.449 (36.8)
H	23	2.200 (55.9)	2.078 (52.8)	1.565 (39.8)	1.535 (39.0)	M41 X 1.0-6g	.125 (3.2)	.149 (3.8)	1.644 (41.8)	1.580 (40.1)
		2.177 (55.3)	2.043 (51.9)	1.556 (39.5)	1.515 (38.5)		.059 (1.5)	.125 (3.2)	1.634 (41.5)	1.570 (39.9)
J	25	2.326 (59.1)	2.204 (56.0)	1.692 (43.0)	1.657 (42.1)	M44 X 1.0-6g	.125 (3.2)	.149 (3.8)	1.769 (44.9)	1.709 (43.4)
		2.299 (58.4)	2.169 (55.1)	1.681 (42.7)	1.637 (41.6)		.059 (1.5)	.125 (3.2)	1.759 (44.7)	1.699 (43.2)

240-384W
MIL-DTL-38999 Series IV Filter Connector
Wall Mount Receptacle



W - Wall Mount



240-384W MIL-DTL-38999 Series IV Filter Connector Wall Mount Receptacle



EMI/EMP
Filters

TABLE I: CONNECTOR CLASS

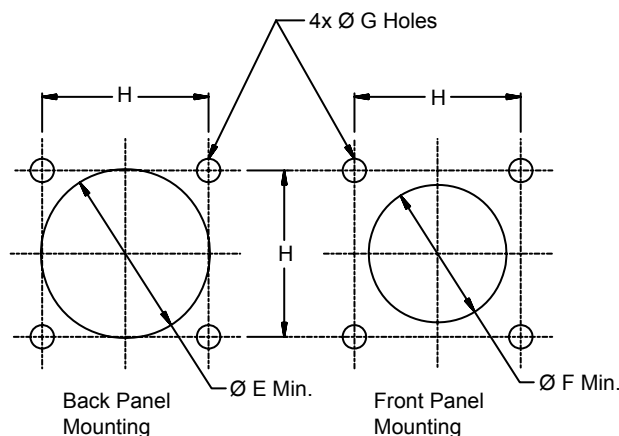
SYM	CLASS	MATERIAL	FINISH DESCRIPTION
M	Environmental	Aluminum	Electroless Nickel
MT	Environmental	Aluminum	Nickel Fluorocarbon Polymer (Ni-PTFE)
NF	Environmental	Aluminum	Cadmium O.D. Over Electroless Nickel
P	Environmental	Stainless Steel	Electro-Deposited Nickel
ZN	Environmental	Aluminum	Zinc-Nickel Over Electroless Nickel
H2	Hermetic	Stainless Steel	Electroless Nickel

TABLE IV

SYM	Filter Type
P	PI Circuit
C	C Circuit

**TABLE II: CAPACITOR ARRAY CODE
CAPACITANCE RANGE**

CLASS	PI - CIRCUIT (pF)	C - CIRCUIT (pF)
X*	160,000 - 240,000	80,000 - 120,000
Y*	80,000 - 120,000	40,000 - 60,000
Z*	60,000 - 90,000	30,000 - 45,000
A	38,000 - 56,000	19,000 - 28,000
B	32,000 - 45,000	16,000 - 22,500
C	18,000 - 33,000	9,000 - 16,500
D	8,000 - 12,000	4,000 - 6,000
E	3,300 - 5,000	1,650 - 2,500
F	800 - 1,300	400 - 650
G	400 - 600	200 - 300



* Reduced DWV – Please consult factory.

TABLE III

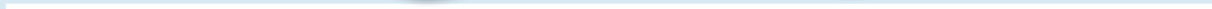
SHELL SIZE CODE	SHELL SIZE	A Sq	B BSC	C Diameter	D Diameter	Ø E Min.	Ø F Min.	Ø G Holes	H
B	11	1.051	.812	.793	.138	.781	.625	.133	.817
		1.008		.778	.122			.123	.807
C	13	1.145	.906	.919	.138	.921	.750	.133	.911
		1.102		.904	.122			.123	.901
D	15	1.240	.969	1.044	.138	1.047	.906	.133	.973
		1.197		1.029	.122			.123	.963
E	17	1.334	1.062	1.170	.138	1.218	1.016	.133	1.067
		1.291		1.155	.122			.123	1.057
F	19	1.460	1.156	1.294	.138	1.296	1.142	.133	1.161
		1.417		1.279	.122			.123	1.151
G	21	1.583	1.250	1.419	.138	1.421	1.266	.133	1.255
		1.539		1.404	.122			.123	1.245
H	23	1.709	1.375	1.544	.157	1.546	1.375	.159	1.380
		1.665		1.529	.142			.149	1.370
J	25	1.835	1.500	1.670	.157	1.672	1.484	.159	1.505
		1.791		1.654	.142			.149	1.495

Glenair MIL-DTL-38999 Environmental Class Connectors

SECTION D TABLE OF CONTENTS

GLENAIR ENVIRONMENTAL CLASS CLASS CONNECTORS:

MIL-DTL-38999 Type Environmental Class Connector Product Features.....	D-1
Insert Arrangements IAW MIL-STD-1560.....	D-2
MIL-DTL-38999 Material Specifications.....	D-5
MIL-DTL-38999 Crimp Tools and Accessories.....	D-6
MIL-DTL-38999 Pin Contact Selection Guide.....	D-8
MIL-DTL-38999 Socket Contact Selection Guide.....	D-9
MIL-DTL-38999 Series III Type Wall Mount Environmental Class Receptacle.....	D-11
MIL-DTL-38999 Series III Type Jam Nut Environmental Class Receptacle.....	D-14
MIL-DTL-38999 Series III Type In-Line Environmental Class Receptacle.....	D-16
MIL-DTL-38999 Series III Type Environmental Class Plug.....	D-18
MIL-DTL-38999 Series III Type Box Mount Quadrax Connector.....	D-20
MIL-DTL-38999 Series III Type Plug and Wall Mount Quadrax Connector.....	D-22
MIL-DTL-38999 Series III Type Quadrax Socket Contact.....	D-24
MIL-DTL-38999 Series I Type Shorting Plug.....	D-25
MIL-DTL-38999 Series I Type Jam Nut Shorting Receptacle.....	D-26
MIL-DTL-38999 Series I Type Shorting Bulkhead Feed-Thru Bulkhead.....	D-28
MIL-DTL-38999 Series II Type Shorting Plug.....	D-29
MIL-DTL-38999 Series III Type Quick Disconnect Plug with Swivel Lanyard.....	D-30
MIL-DTL-38999 Type 4 Lanyard Release Plug for MIL-STD-1760.....	D-32



Environmental Class MIL-DTL-38999 Type Connectors Built for a Broad Range of Harsh-Environment Applications

Product Applications

Glenair is recognized as trusted supplier of harsh environment electrical connectors built to the MIL-DTL-38999 standard. This section of the catalog presents a selection of the environmental class MIL-DTL-38999 type solutions produced by Glenair. Glenair's expertise in these harsh-environmental interconnect products extends to lanyard release quick-disconnect products, shorting plugs and receptacles, composite and specialty metal plugs and receptacles as well as unique coax and quadrax configurations. We can also supply the interconnects in turnkey harsh application cable sets.

Available Insert Arrangements

Based on industry-standard specifications, Glenair's MIL-DTL-38999 derivative environmental class connector systems are supplied with insert arrangements IAW MIL-STD-1560, or appropriate sub-sets depending on connector series. Consult factory for available insert arrangements.

Errata

Catalog contents—including part numbers, materials and dimensions—are accurate to the best of our ability when we go to print. When errors or mistakes are brought to our attention, corrected content is posted immediately to www.glenair.com.

Same-Day Delivery on Many Common Shell Styles and Layouts

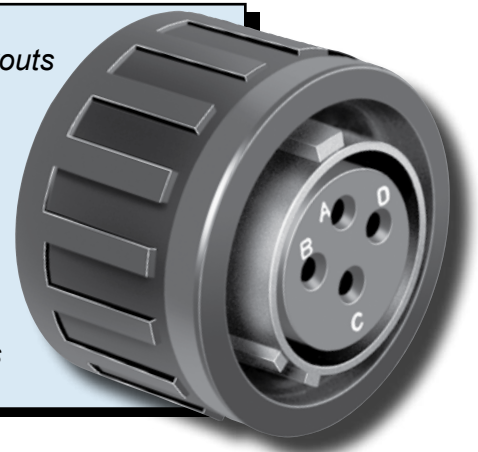
*Selected Range of D38999 Series I thru III Pin and Socket
Insert Arrangements—Consult Factory for Availability*

Lightweight, Corrosion-Free Composite Versions

Special Lanyard-Release Versions

All Standard Material Options, Including Stainless Steel

Jam Nut, Solder Mount, Wall Mount and Box Mount Options





MIL-DTL-38999 Series I, II and III Type Environmental Class Connectors Insert Arrangements (IAW MIL-STD-1560)

Series I	9-35	9-98	11-2	11-4	11-5	11-35	11-98	11-99
Series II	8-35	8-98	10-2	10-4	10-5	10-35	10-98	10-99
Series III	A35	A98	B2	B4	B5	B35	B98	B99
Series IV	---	---	---	---	B5	B35	B98	B99

Series I	13-4	13-8	13-35	13-98
Series II	12-4	12-8	12-35	12-98
Series III	C4	C8	C35	C98
Series IV	C4	---	C35	C98

Series I	15-5	15-15	15-18	15-19	15-35	15-97
Series II	14-5	14-15	14-18	14-19	14-35	14-97
Series III	D5	D15	D18	D19	D35	D97
Series IV	D5	---	D18	D19	D35	D97

D

Series I	17-6	17-8	17-26	17-35	17-99
Series II	16-6	16-8	16-26	16-35	16-99
Series III	E6	E8	E26	E35	E99
Series IV	E6	E8	E26	E35	---

Series I	19-11	19-28	19-32	19-35	19-30	19-45
Series II	18-11	18-28	18-32	18-35	18-30	18-45
Series III	F11	F28	F32	F35	F30	F45
Series IV	F11	---	F32	F35	---	---

Consult factory for available insert arrangements.



MIL-DTL-38999 Series I, II and III Type Environmental Class Connectors Insert Arrangements (IAW MIL-STD-1560)



Series I 21-11	Series II 21-16	Series III 21-35	Series III 21-41	
Series II 20-11	Series II 20-16	Series II 20-35	Series II 20-41	
Series III, IV G11, G11	Series III, IV G16, G16	Series III, IV G35, G35	Series III, IV G41, G41	
Series I 21-24	Series II 21-25	Series III 21-27	Series III 21-39	
Series II 20-24	Series II 20-25	Series II 20-27	Series II 20-39	
Series III, IV G24, G24	Series III, IV G25, ---	Series III, IV G27, ---	Series III, IV G39, ---	
Series I 23-21	Series II 23-35	Series III 23-53	Series III 23-55	Series III 23-32
Series II 22-21	Series II 22-35	Series II 22-53	Series II 22-55	Series II 22-32
Series III, IV H21, H21	Series III, IV H35, H35	Series III, IV H53, ---	Series III, IV H55, H55	Series III, IV H32, ---
Series I 23-34	Series II 23-36	Series III 23-97	Series III 23-99	
Series II 22-34	Series II 22-36	Series II 22-97	Series II 22-99	
Series III, IV H34, ---	Series III, IV H36, ---	Series III, IV H97, ---	Series III, IV H99, ---	
Series I 25-29	Series II 25-35	Series III 25-61	Series III 25-4	
Series II 24-29	Series II 24-35	Series II 24-61	Series II 24-4	
Series III, IV J29, J29	Series III, IV J35, J35	Series III, IV J61, J61	Series III, IV J4, J4	
Series I 25-43	Series II 25-19	Series III 25-24	Series IV J-11 (Series IV Only)	
Series II 24-43	Series II 24-19	Series II 24-24		
Series III, IV J43, J43	Series III, IV J19, J19	Series III, IV J24, J24		





MIL-DTL-38999 Series I, II and III Type Environmental Class Connectors Insert Arrangements (IAW MIL-STD-1560)

D

Shell Size and Insert Arrangements			Number of Pins			
MS Series I	MS Series II	D38999 Series III	22D	20	16	12
9-35	8-35	A35	6			
9-98	8-98	A98		3		
11-2	10-2	B2			2	
11-4	10-4	B4		4		
11-5	10-5	B5		5		
11-35	10-35	B35	13			
11-98	10-98	B98		6		
11-99	10-99	B99		7		
13-4	12-4	C4			4	
13-8	12-8	C8		8		
13-35	12-35	C35	22			
13-98	12-98	C98		10		
15-5	14-5	D5			5	
15-15	14-15	D15		14	1	
15-18	14-18	D18		18		
15-19	14-19	D19		19		
15-35	14-35	D35	37			
15-97	14-97	D97		8	4	
17-6	16-6	E6				6
17-8	16-8	E8			8	
17-26	16-26	E26		26		
17-35	16-35	E35	55			
17-99	16-99	E99		21	2	
19-11	18-11	F11			11	
19-28	18-28	F28		26	2	
19-30	18-30	F30		29	1	
19-32	18-32	F32		32		
19-35	18-35	F35	66			
19-45	18-45	F45	67			
21-11	20-11	G11				11
21-16	20-16	G16			16	
21-24	20-24	G24		24		
21-25	20-25	G25		25		
21-27	20-27	G27		27		
21-35	20-35	G35	79			
21-39	20-39	G39		37	2	
21-41	20-41	G41		41		
23-21	22-21	H21			21	
23-32	22-32	H32		32		
23-34	22-34	H34		34		
23-35	22-35	H35	100			
23-36	22-36	H36		36		
23-53	22-53	H53		53		
23-55	22-55	H55		55		
23-97	22-97	H97			16	
23-99	22-99	H99			11	
25-4	24-4	J4		48	8	
25-19	24-19	J19				19
25-24	24-24	J24			12	12
25-29	24-29	J29			29	
25-35	24-35	J35	128			
25-43	24-43	J43		23	20	
25-61	24-61	J61		61		

Shell Size / Insert Arrangements		Number of Pins				
D38999 Series IV	22D	20	16	12	10	
B5		5				
B35	13					
B98		6				
B99		7				
C4			4			
C35	22					
C98		10				
D5			5			
D18		18				
D19	37	19				
D35						
D97		8	4			
E6				6		
E8			8			
E26		26				
E35	55					
F11			11			
F32		32				
F35	66					
G11				11		
G16			16			
G35	79					
G41		41				
H21			21			
H35	100					
H55		55				
J4		48	8			
J11		2			9	
J19				19		
J24			12	12		
J29			29			
J35	128					
J43		23	20			
J61		61				

MIL-DTL-38999 Series I, II and III Environmental Class Connectors Material Specifications



TABLE I: MATERIALS

Shell, Barrel, and Coupling Nut	Aluminum alloy 6061 per ASTM-B211
Front and Rear Insulators	Glass-filled LCP in accordance with MIL-M-24519, Type GLP-30F
Contact Retention Clip	Beryllium copper, heat-treated, unplated
Grommet, Peripheral Seal and Interfacial Seal	Blended elastomer, 30% silicone per ZZ-R-765, 70% fluorosilicone per MIL-R-25988
Pin / Socket Contacts (Environmental)	Copper Alloy / Gold Plate
Socket Contact (Hermetic)	Copper Alloy, Gold Plated IAW ASTM B488, Type 3, Code C
Adhesives	Silicone and epoxy
Potting Compound: PCB and Solder Cup	High-strength epoxy, Hysol EE4215.

D

TABLE II: POPULAR ENVIRONMENTAL CLASS CONNECTOR FINISHES

Plating Code	Material	Finish	Specification
M	Aluminum	Electroless Nickel	AMS-C-26074
B	Aluminum	Cad Plate, Olive Drab	AMS-QQ-P-416, Type II, Class 3
NF	Aluminum	Cadmium Plate Olive Drab over Electroless Nickel	AMS-QQ-P-416, over AMS-C-26074 (1000 Hour Salt Spray)
ZN	Aluminum	Olive Drab Zinc-Nickel	Zinc alloy per ASTM B841-91, Class 1 Type E Grade 3 over Electroless nickel per ASTM B733-90 SC2, Type 1 Class 5
MT	Aluminum	Ni-PTFE 1,000 Hour Grey™ (Nickel Fluorocarbon Polymer)	MIL-DTL-38999L (500 Hour Salt Spray)
XM	Composite	Electroless Nickel	AMS-C-26074
XMT	Composite	Ni-PTFE 1,000 Hour Grey™ (Nickel Fluorocarbon Polymer)	MIL-DTL-38999L (2000 Hour Salt Spray)
XW	Composite	Cadmium Olive Drab over Electroless Nickel	AMS-QQ-P-416, over AMS-C-26074 (1000 Hour Salt Spray)
Z1	Stainless Steel	Passivate	AMS-QQ-P-35
ZL	Stainless Steel	Electrodeposited Nickel	SAE-AMS-QQ-N-290, Class 2

#8 Quadrax Contacts for Glenair Series 257-455 and 257-459 Connectors

Contact Size	Type	Glenair Part Number	Military Part Number	Tool Code	Cable Type Dash No.	Wire Size	Sample Contact
#8	Quadrax	854-001	N/A	C, J (Inner) K, M (Outer)	01 - Tensolite NF26Q100	26AWG	
		854-002			02 - Tensolite NF24Q100	24AWG	
				03 - Draka Fileca F 4704-6	26AWG		
				04 - Draka Fileca F 4704-4	24AWG		

Consult factory for PC tail/other cable options

Crimp Tool And Positioner For #12 and #16 Power Contacts



1 Crimp tool for use with size #16 and #12 power pins. 9.75 inches OAL, 1.25 pounds. Use with M39029/57 and /58 contacts and 809-093 adapters.

2 Positioner for use with size #12 and #16 Power contacts.

Figure	Military Part Number	Daniels Part Number	Tool Code
1	M22520/1-01	AF8	A
2	M22520/1-04	TH163	B

Miniature Adjustable Crimp Tool



These crimp tools perform precision eight indent crimps for gas-tight wire terminations and excellent tensile strength. Adjustment wheel has 8 settings. Ratchet mechanism prevents improper crimps. Use with bayonet-type positioners. Check calibration with M22520/3 gages. Length is 6.75 inches, weight is approx. 10 oz.

1 Standard M22520/2-01 miniature crimper. Use with standard size #20 and #22D contacts and with M39029/76, /77 and /78 coaxial center contacts. Requires positioner, ordered separately.

Glenair Part Number	Military Part Number	Daniels Part Number	Tool Code
809-015	M22520/2-01	AFM8	C

2 Positioner for M39029/76, 77 and 78 coaxial inner contact. Use with 809-015 crimp tool.



Coax/Power	Contact Size	Military Part Number	Daniels Part Number	Notes	Tool Code
Power	#20	M22520/2-10	K43	Series I, II, III and IV	D
Power	#22D	M22520/2-09	K42	Series I, II, III and IV Pin	E
Power	#22D	M22520/2-07	K40	Series I, III and IV Socket	F
Power	#22D	M22520/2-06	K41	Series II Socket	G
Coax	#16	M22520/2-35	K532-1	Series I, II, III and IV	H
Coax	#12	M22520/2-34	K323	Series I, II, III and IV	I
Quadrax	#24	M22520/2-37	K709	Quadrax Inner Contact	J

Parallel Action Crimp Tool and Hex Die Set



1 Parallel action tool for use with hex crimp dies. 11 inches OAL, 2.0 pounds. Anodized aluminum frame, steel mechanism, plastic handles. Includes tool for die set removal. Accepts all M22520/5 die sets.

2 Die set for terminating coaxial shield to outer contact. Use with size #12 matched impedance M39029/102 and 103 type coaxial contacts. Set consists of upper and lower halves. Made of hardened steel with black oxide finish. Approximately 2 inches in length, assembled. Die set has two closures per illustration.

Figure	Glenair Part Number	Military Part Number	Daniels Part Number	Tool Code
1	809-129	M22520/5-01	HX4	K
2	809-130	M22520/5-03	Y196	L
3	859-007	M22520/5-45	Y143	M

Crimp Tool And Positioner For #12 Coaxial Outer Contact



For crimping size #12 shield sleeves. These mil spec approved tools feature a ratchet mechanism to prevent damage from overcrimping. Check calibration with M22520/3 gage.

1 Crimp tool for use with size #12 coaxial contacts. Black handles. 9.75 inches OAL, 1.25 pounds.

2 Positioner for use with size #12 coaxial contacts. Use with 809-133 (M22520/31-01) crimp tool.

Figure	Glenair Part Number	Military Part Number	Daniels Part Number	Tool Code
1	809-133	M22520/31-01	GS200-1	N
2	809-134	M22520/31-02	G2P330	P

Crimp Tool And Positioner For #16 Coaxial Outer Contact



For crimping size #16 shield sleeves. These mil spec approved tools feature a ratchet mechanism to prevent damage from overcrimping. Check calibration with M22520/3 gage.

1 Crimp tool for use with size #16 coaxial contacts. Blue handles. 9.75 inches OAL, 1.25 pounds.

2 Positioner for use with size #16 coaxial contacts. Use with 809-127 (M22520/4-01) crimp tool.

Figure	Glenair Part Number	Military Part Number	Daniels Part Number	Tool Code
1	809-127	M22520/4-01	GS100-1	Q
2	809-126	M22520/4-02	GP295	R



**MIL-DTL-38999
Series I, II, III and IV
Pin Contact Selection Guide**

AS39029 Pin Contacts										
Contact Size	Type	Glenair Part Number	Military Part Number	Color Bands			BIN	Wire Size	Tool Code	
				1st	2nd	3rd				
#10	S	850-002-10-528	M39029/58-528	GREEN	RED	GREY	528	#10 - #12	Consult Factory	
	E	850-007-10-624	M39029/107-624	BLUE	RED	YELLOW	624			
#12	S	850-002-12-365	M39029/58-365	ORANGE	BLUE	GREEN	365	#12 - #14	A, B	
	E	850-007-12-623	M39029/107-623	BLUE	RED	ORANGE	623			
	C	852-002-12-211	M39029/28-211	RED	BROWN	BROWN	211	RG174 RG179 RG316	C, I (inner)	
	C	852-002-12-409	M39029/28-409	YELLOW	BLACK	WHITE	409	RG180	N, P (outer)	
#16	S	850-002-16-364	M39029/58-364	ORANGE	BLUE	YELLOW	364	#16 - #20	A, B	
	E	850-007-16-622	M39029/107-622	BLUE	RED	RED	622			
	C	852-008-16-424	M39029/76-424	YELLOW	RED	YELLOW	424	RG174 RG179 RG316	C, H (inner)	
	C	852-008-16-425	M39029/76-425	YELLOW	RED	GREEN	425	RG178	Q, R (outer)	
#20	S	850-002-20-363	M39029/58-363	ORANGE	BLUE	ORANGE	363	#20 - #24	C, D	
	E	850-007-20-621	M39029/107-621	BLUE	RED	BROWN	621			
#22D	S	850-002-22-360	M39029/58-360	ORANGE	BLUE	BLACK	360	#22 - #28	C, E	
	E	850-007-22-620	M39029/107-620	BLUE	RED	black	620			

Type	Crimp Style
S	Standard-Duty Crimp
E	Extended-Duty Crimp
C	Coaxial Crimp

BIN Color Coding									
0	1	2	3	4	5	6	7	8	9
BLACK	BROWN	RED	ORANGE	YELLOW	GREEN	BLUE	VIOLET	GREY	WHITE

MIL-DTL-38999
Series I, III and IV
Socket Contact Selection Guide



AS39029 Socket Contacts										
Contact Size	Type	Glenair Part Number	Military Part Number	Color Bands			BIN	Wire Size	Tool Code	
				1st	2nd	3rd				
#10	S	850-001-10-527	M39029/56-527	GREEN	RED	VIOLET	527	#10 - #12	Consult Factory	
	E	850-006-10-618	M39029/106-618	BLUE	BROWN	GREY	618			
#12	S	850-001-12-353	M39029/56-353	ORANGE	GREEN	ORANGE	353	#12 - #14	A, B	
	E	850-006-12-617	M39029/106-617	BLUE	BROWN	VIOLET	617			
	C	852-003-12-416	M39029/75-416	YELLOW	BROWN	BLUE	416	RG174 RG179 RG316	C, I (inner)	
	C	852-003-12-417	M39029/75-417	YELLOW	BROWN	VIOLET	417	RG180	N, P (outer)	
#16	S	850-001-16-352	M39029/56-352	ORANGE	GREEN	RED	352	#16 - #20	A, B	
	E	850-006-16-616	M39029/106-616	BLUE	BROWN	BLUE	616			
	C	852-009-16-428	M39029/77-428	YELLOW	RED	GREY	428	RG174 RG179 RG316	C, H (inner)	
	C	852-009-16-429	M39029/77-429	YELLOW	RED	WHITE	429	RG178	Q, R (outer)	
#20	S	850-001-20-351	M39029/56-351	ORANGE	GREEN	BROWN	351	#20 - #24	C, D	
	E	850-006-20-615	M39029/106-615	BLUE	BROWN	GREEN	615			
#22D	S	850-001-22-348	M39029/56-348	ORANGE	YELLOW	GREY	348	#22 - #28	C, F	
	E	850-006-22-614	M39029/106-614	BLUE	BROWN	YELLOW	614			

38999 Series I, III & IV

D

Type	Crimp Style
S	Standard-Duty Crimp
E	Extended-Duty Crimp
C	Coaxial Crimp

BIN Color Coding									
0	1	2	3	4	5	6	7	8	9
BLACK	BROWN	RED	ORANGE	YELLOW	GREEN	BLUE	VIOLET	GREY	WHITE



**MIL-DTL-38999
Series II
Socket Contact Selection Guide**

AS39029 Socket Contacts

Contact Size	Type	Glenair Part Number	Military Part Number	Color Bands			BIN	Wire Size	Tool Code
				1st	2nd	3rd			
#12	S	850-003-12-359	M39029/57-359	ORANGE	GREEN	WHITE	359	RG174 RG179 RG316	A, B
	C	852-001-12-210	M39029/27-210	RED	BROWN	BLACK			210
	C	852-001-12-402	M39029/27-402	YELLOW	BLACK	RED	402	RG180	N, P (outer)
#16	S	850-003-16-358	M39029/57-358	ORANGE	GREEN	GREY	358	#16 - #20	A, B
	C	852-010-16-432	M39029/78-432	YELLOW	ORANGE	RED	432	RG174 RG179 RG316	C, H (inner)
	C	852-010-16-433	M39029/78-433	YELLOW	ORANGE	ORANGE	433	RG178	Q, R (outer)
#20	S	850-003-20-357	M39029/57-357	ORANGE	GREEN	VIOLET	357	#20 - #24	C, D
#22D	S	850-003-22-354	M39029/57-354	ORANGE	GREEN	YELLOW	354	#22 - #28	C, G

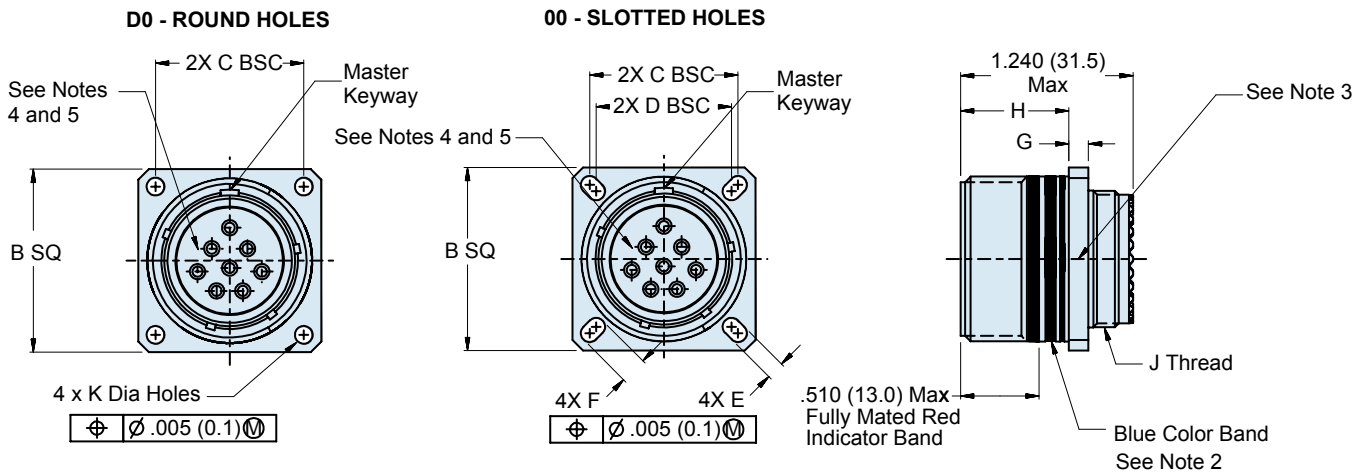
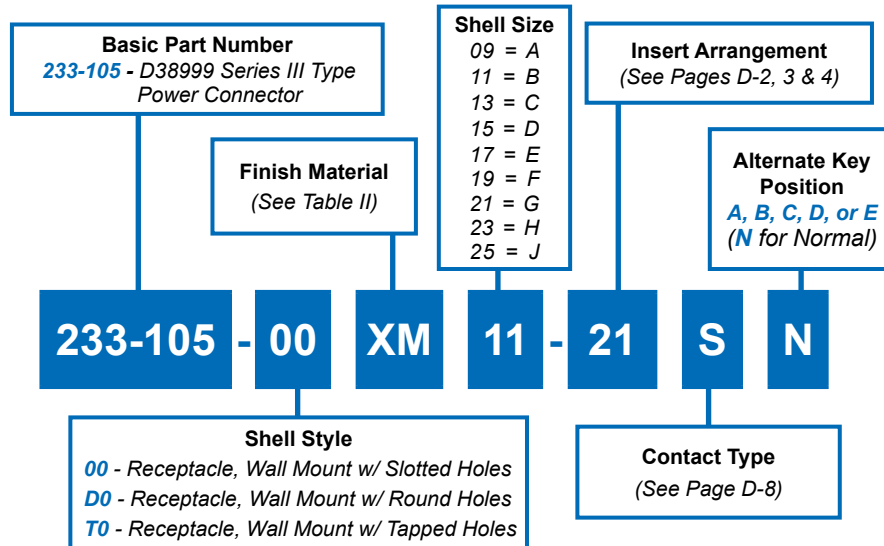
38999 Series II

D

Type	Crimp Style
S	Standard-Duty Crimp
E	Extended-Duty Crimp
C	Coaxial Crimp

BIN Color Coding									
0	1	2	3	4	5	6	7	8	9
BLACK	BROWN	RED	ORANGE	YELLOW	GREEN	BLUE	VIOLET	GREY	WHITE

233-105-00
MIL-DTL-38999 Series III Type
Wall Mount Environmental Receptacle Connector



Consult factory for available insert arrangements.

APPLICATION NOTES

- | | |
|---|--|
| <p>1. Material/ Finishes:
 Shells, Jam Nut - See Table II
 (Composite Jam Nut & Composite Coupling Nut No Plating Required).
 Insulators- High Grade Rigid Dielectric/ N.A
 Seals- Fluorosilicone/ N.A.</p> | <p>3. Assembly to be identified with Glenair's name, part number and date code space permitting.</p> |
| <p>2. Blue Color Band indicates rear release retention system.</p> | <p>4. Insert arrangement in accordance with MIL-STD-1560.
 5. Insert arrangement shown is for reference only.
 6. Metric dimensions (mm) are in parentheses.</p> |



TABLE II: FINISH

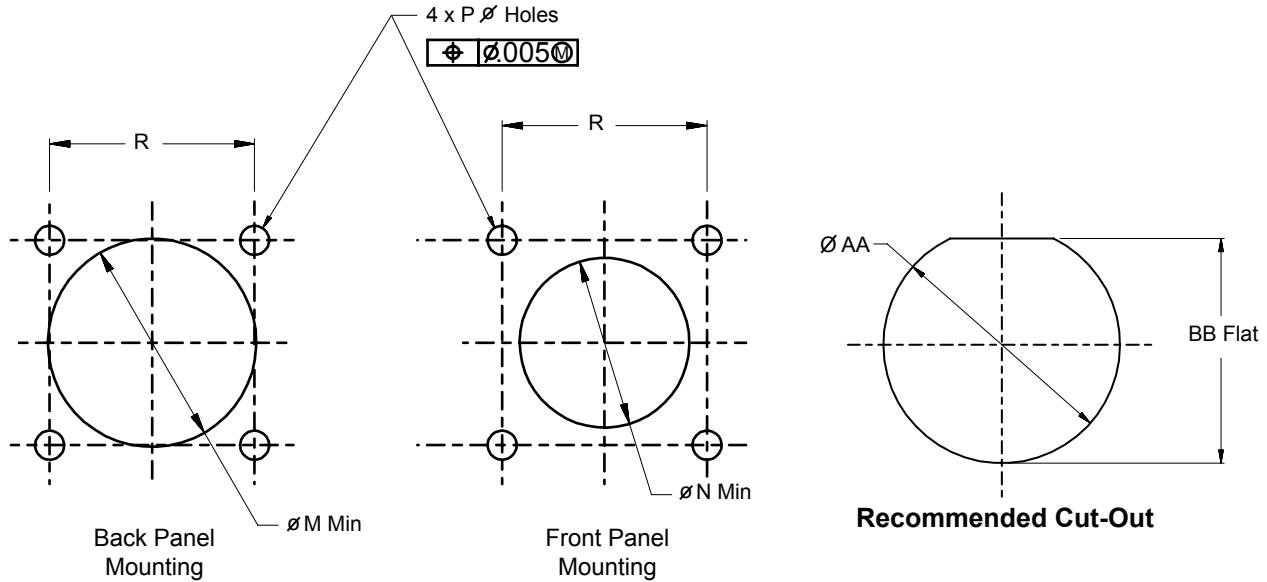
SYM	MATERIAL	FINISH	MIL SYM
M	Aluminum	Electroless Nickel	F
NF		Cadmium O.D. Over Electroless Nickel	W
ZN		Zinc Ni, Olive Drab	Z
ZE		Zinc Ni, No Chromate	
ZR		Zinc Ni, Black (Tri-Valent CR)	
AL		Pure-Dense Electro-Deposited Aluminum	P
MT		Ni-PTFE 1000 Hour Grey™	T
XM	Composite	Electroless Nickel	M
XMT		Ni-PTFE 1000 Hour Grey™	
XO		No Finish	
XW		Cadmium O.D. over Electroless Nickel	J
Z1	Stainless Steel	Passivate	
ZC		Zinc Colbalt	
ZL		Electro-Deposited Nickel	
ZW		Cadmium O.D. over Nickel	
AB	Marine Bronze	None (Clean Only)	

*Consult Factory for Additional Plating Options

TABLE III: SHELL SIZE

Shell Size Code	Shell Size	B SQ	C BSC	D BSC	E	F	G	H	J Thread	K Holes Dia
A	09	.949 (24.1)	.719 (18.3)	.594 (15.1)	.136 (3.5)	.224 (5.7)	.144 (3.7)	.820 (20.8)	M12 x 1.0-6g 0.100R	.136 (3.5)
		.925 (23.5)			.120 (0.1)	.208 (5.3)	.083 (2.1)	.768 (19.5)		.120 (3.0)
B	11	1.043 (26.5)	.812 (20.6)	.719 (18.3)	.136 (3.5)	.202 (5.1)	.144 (3.7)	.820 (20.8)	M15 x 1.0-6g 0.100R	.136 (3.5)
		1.019 (25.9)			.120 (0.1)	.188 (4.7)	.083 (2.1)	.768 (19.5)		.120 (3.0)
C	13	1.138 (28.9)	.906 (23.0)	.812 (20.6)	.136 (3.5)	.202 (5.1)	.144 (3.7)	.820 (20.8)	M18 x 1.0-6g 0.100R	.136 (3.5)
		1.114 (28.3)			.120 (0.1)	.188 (4.7)	.083 (2.1)	.768 (19.5)		.120 (3.0)
D	15	1.232 (31.3)	.969 (24.6)	.906 (23.0)	.136 (3.5)	.202 (5.1)	.144 (3.7)	.820 (20.8)	M22 x 1.0-6g 0.100R	.136 (3.5)
		1.208 (30.7)			.120 (0.1)	.208 (5.3)	.083 (2.1)	.768 (19.5)		.120 (3.0)
E	17	1.323 (33.6)	1.062 (27.0)	.969 (24.6)	.136 (3.5)	.202 (5.1)	.144 (3.7)	.820 (20.8)	M25 x 1.0-6g 0.100R	.136 (3.5)
		1.299 (33.0)			.120 (0.1)	.188 (4.7)	.083 (2.1)	.768 (19.5)		.120 (3.0)
F	19	1.449 (36.8)	1.156 (29.4)	1.062 (27.0)	.136 (3.5)	.202 (5.1)	.144 (3.7)	.820 (20.8)	M28 x 1.0-6g 0.100R	.136 (3.5)
		1.425 (36.2)			.120 (0.1)	.188 (4.7)	.083 (2.1)	.768 (19.5)		.120 (3.0)
G	21	1.575 (40.0)	1.250 (31.8)	1.156 (29.4)	.136 (3.5)	.202 (5.1)	.171 (65.2)	.790 (20.1)	M31 x 1.0-6g 0.100R	.136 (3.5)
		1.551 (39.4)			.120 (0.1)	.188 (4.7)	.083 (39.8)	.736 (18.7)		.120 (3.0)
H	23	1.701 (43.2)	1.375 (34.9)	1.250 (31.8)	.162 (4.1)	.250 (6.4)	.171 (65.2)	.790 (20.1)	M34 x 1.0-6g 0.100R	.162 (4.1)
		1.677 (42.6)			.146 (3.7)	.234 (5.9)	.083 (39.8)	.736 (18.7)		.146 (3.7)
J	25	1.823 (46.3)	1.500 (38.1)	1.375 (34.9)	.162 (4.1)	.250 (6.4)	.171 (65.2)	.790 (20.1)	M37 x 1.0-6g 0.100R	.162 (4.1)
		1.799 (45.7)			.146 (3.7)	.234 (5.9)	.083 (39.8)	.736 (18.7)		.146 (3.7)

233-105-00
MIL-DTL-38999 Series III Type
Wall Mount Environmental Receptacle Connector

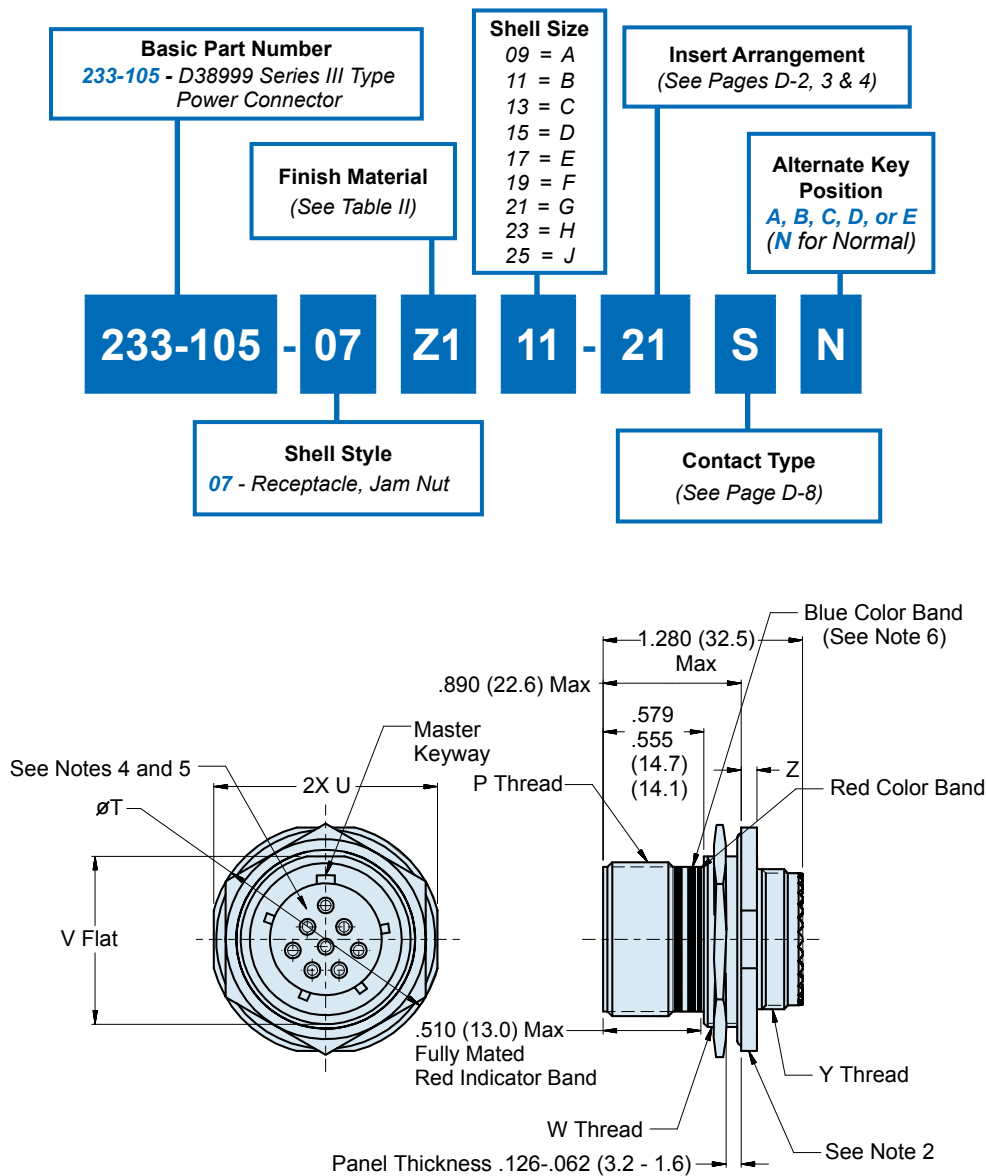


**Recommended Mounting Holes
for Wall Mount Receptacle**

TABLE IV: SHELL SIZE

Shell Size Code	Shell Size	AA Dia	BB Flat	M Ø Min	N Ø Min	P Ø Holes	R BSC
A	09	.703 (17.9)	.657 (16.7)	.656 (16.7)	.516 (13.1)	.133 (3.4)	.719 (18.3)
		.693 (17.6)	.655 (16.6)			.123 (3.1)	
B	11	.835 (21.2)	.771 (19.6)	.796 (20.2)	.625 (15.9)	.133 (3.4)	.812 (20.6)
		.825 (21.0)	.769 (19.5)			.123 (3.1)	
C	13	1.020 (25.9)	.955 (24.3)	.922 (23.4)	.750 (19.1)	.133 (3.4)	.906 (23.0)
		1.010 (25.7)	.943 (24.0)			.123 (3.1)	
D	15	1.145 (29.1)	1.085 (27.6)	1.047 (26.6)	.906 (23.0)	.133 (3.4)	.969 (24.6)
		1.135 (28.8)	1.083 (27.5)			.123 (3.1)	
E	17	1.270 (32.3)	1.210 (30.7)	1.219 (31.0)	1.016 (25.8)	.133 (3.4)	1.062 (27.0)
		1.260 (32.0)	1.208 (30.7)			.123 (3.1)	
F	19	1.395 (35.4)	1.335 (33.9)	1.297 (32.9)	1.141 (29.0)	.133 (3.4)	1.156 (29.4)
		1.385 (35.2)	1.333 (33.9)			.123 (3.1)	
G	21	1.520 (38.6)	1.460 (37.1)	1.422 (36.1)	1.266 (32.2)	.133 (3.4)	1.250 (31.8)
		1.510 (38.4)	1.458 (37.0)			.123 (3.1)	
H	23	1.645 (41.8)	1.585 (40.3)	1.547 (39.3)	1.375 (34.9)	.159 (4.0)	1.375 (34.9)
		1.635 (41.5)	1.583 (40.2)			.149 (3.8)	
J	25	1.770 (45.0)	1.710 (43.4)	1.672 (42.5)	1.484 (37.7)	.155 (3.9)	1.500 (38.1)
		1.760 (44.7)	1.708 (43.4)			.145 (3.7)	

Metric dimensions (mm) are indicated in parentheses



Consult factory for available insert arrangements.

APPLICATION NOTES

- Material/ Finishes:
Shells, Jam Nut - See Table II
(Composite Jam Nut No Plating Required).
Insulators- High Grade Rigid Dielectric/ N.A
Seals- Fluorosilicone/ N.A.
- Assembly to be identified with Glenair's name, part number and date code space permitting.
- Modified major diameter 1.252-1.257 (31.80-31.95).
- Insert arrangement in accordance with MIL-STD-1560.
- Insert arrangement shown is for reference only.
- Blue Color Band indicates rear release retention system.
- Metric dimensions (mm) are in parentheses.

233-105-07
MIL-DTL-38999 Series III Type
Jam Nut Environmental Receptacle Connector



TABLE II: FINISH			
SYM	MATERIAL	FINISH	MIL SYM
M	Aluminum	Electroless Nickel	F
NF		Cadmium O.D. Over Electroless Nickel	W
ZN		Zinc Ni, Olive Drab	Z
ZE		Zinc Ni, No Chromate	
ZR		Zinc Ni, Black (Tri-Valent CR)	
AL		Pure-Dense Electro-Deposited Aluminum	P
MT		Ni-PTFE 1000 Hour Grey™	T
XM	Composite	Electroless Nickel	M
XMT		Ni-PTFE 1000 Hour Grey™	
XO		No Finish	
XW		Cadmium O.D. over Electroless Nickel	J
Z1	Stainless Steel	Passivate	
ZC		Zinc Colbalt	
ZL		Electro-Deposited Nickel	
ZW		Cadmium O.D. over Nickel	
AB	Marine Bronze	None (Clean Only)	

*Consult Factory for Additional Plating Options

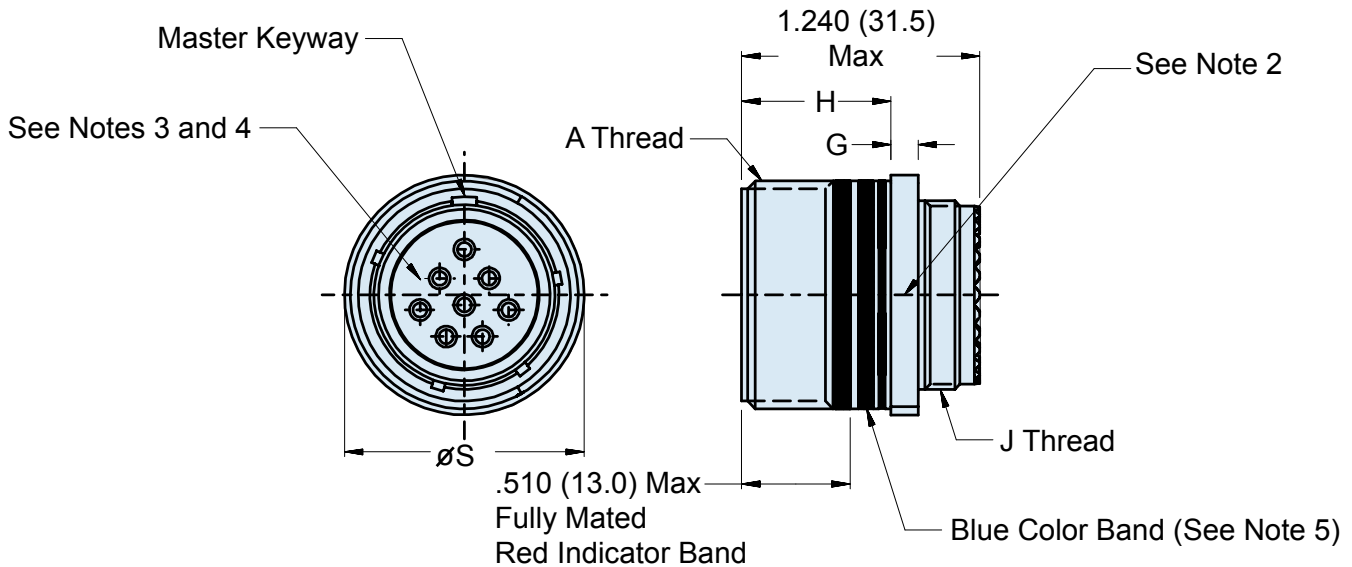
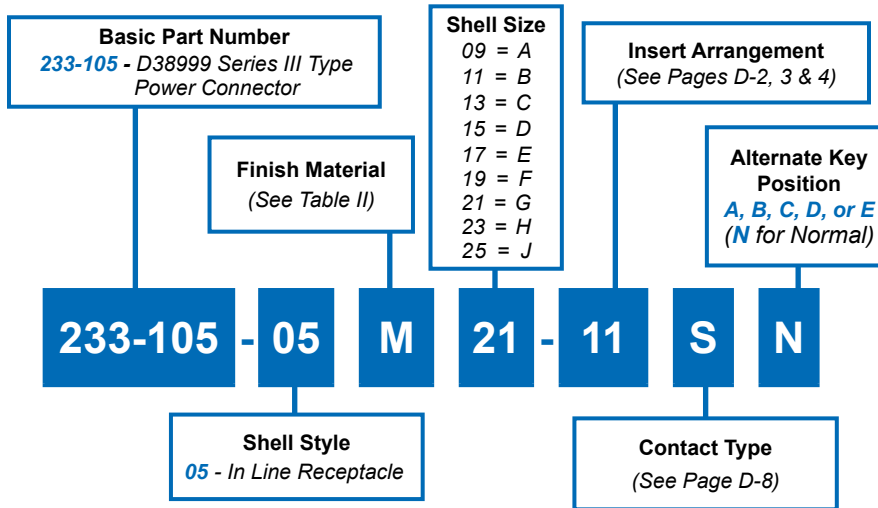
D

TABLE III: SHELL SIZE								
Shell Size Code	Shell Size	P Thread	T Dia	U	V	W Thread	Y Thread	Z
A	09	.6250-.1P-.3L-TS-2A	1.200 (30.5) 1.178 (29.9)	1.078 (27.4) 1.048 (26.6)	.654 (16.6) .645 (16.4)	M17 x 1.0-6g 0.100R	M12 x 1.0-6g 0.100R	.122 (3.1) .083 (2.1)
B	11	.7500-.1P-.3L-TS-2A	1.386 (35.2) 1.362 (34.6)	1.268 (32.2) 1.236 (31.4)	.755 (19.2) .745 (18.9)	M20 x 1.0-6g 0.100R	M15 x 1.0-6g 0.100R	
C	13	.8750-.1P-.3L-TS-2A	1.512 (38.4) 1.488 (37.8)	1.390 (35.3) 1.358 (34.5)	.942 (23.9) .932 (23.7)	M25 x 1.0-6g 0.100R	M18 x 1.0-6g 0.100R	
D	15	1.0000-.1P-.3L-TS-2A	1.638 (41.6) 1.614 (41.0)	1.516 (38.5) 1.484 (37.7)	1.066 (27.1) 1.056 (26.8)	M28 x 1.0-6g 0.100R	M22 x 1.0-6g 0.100R	
E	17	1.1875-.1P-.3L-TS-2A	1.764 (44.8) 1.740 (44.2)	1.642 (41.7) 1.610 (40.9)	1.191 (30.3) 1.181 (30.0)	M32 x 1.0-6g 0.100R*	M25 x 1.0-6g 0.100R	
F	19	1.2500-.1P-.3L-TS-2A	1.949 (49.5) 1.925 (48.9)	1.827 (46.4) 1.795 (45.6)	1.316 (33.4) 1.306 (33.2)	M35 x 1.0-6g 0.100R	M28 x 1.0-6g 0.100R	.153 (3.9) .114 (2.9)
G	21	1.3750-.1P-.3L-TS-2A	2.075 (52.7) 2.051 (52.1)	1.953 (49.6) 1.921 (48.8)	1.441 (36.6) 1.431 (36.3)	M38 x 1.0-6g 0.100R	M31 x 1.0-6g 0.100R	
H	23	1.5000-.1P-.3L-TS-2A	2.201 (55.9) 2.177 (55.3)	2.079 (52.8) 2.047 (52.0)	1.566 (39.8) 1.556 (39.5)	M41 x 1.0-6g 0.100R	M34 x 1.0-6g 0.100R	
J	25	1.6250-.1P-.3L-TS-2A	2.323 (59.0) 2.299 (58.4)	2.205 (56.0) 2.173 (55.2)	1.691 (43.0) 1.681 (42.7)	M44 x 1.0-6g 0.100R	M37 x 1.0-6g 0.100R	

*See Note 3



233-105-05
MIL-DTL-38999 Series III Type
In-Line Environmental Receptacle Connector



Consult factory for available insert arrangements.

APPLICATION NOTES

- | | |
|---|---|
| <p>1. Material/ Finishes:
 Shells - See Table II
 Insulator- High Grade Rigid Dielectric/ N.A
 Seals- Fluorosilicone/ N.A.</p> <p>2. Assembly to be identified with Glenair's name, part number and date code space permitting.</p> | <p>3. Insert arrangement in accordance with MIL-STD-1560.</p> <p>4. Insert arrangement shown is for reference only.</p> <p>5. Blue Color Band indicates rear release retention system.</p> <p>7. Metric Dimensions (mm) are indicated in parentheses.</p> |
|---|---|

233-105-05
MIL-DTL-38999 Series III Type
In-Line Environmental Receptacle Connector



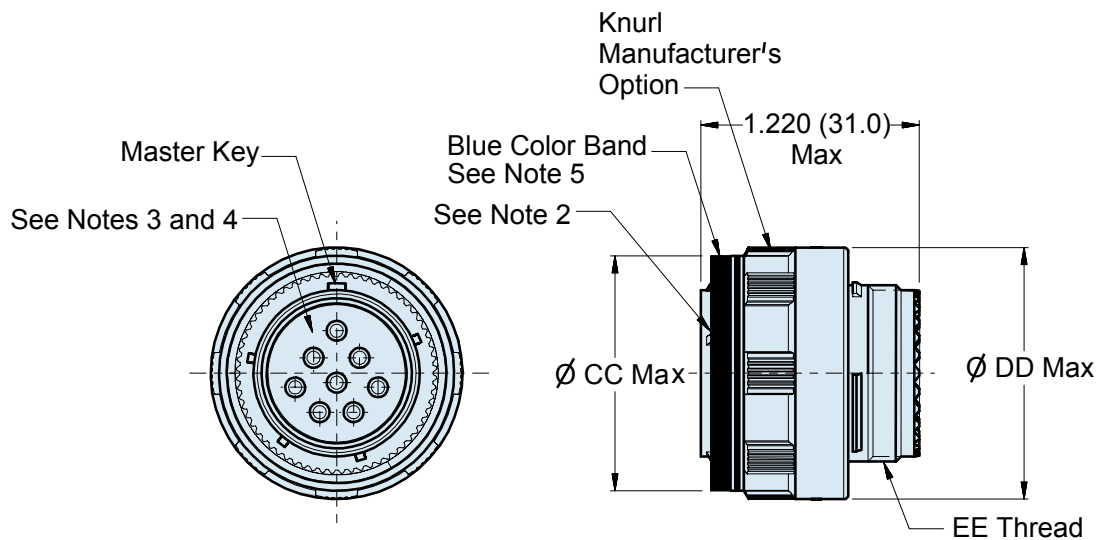
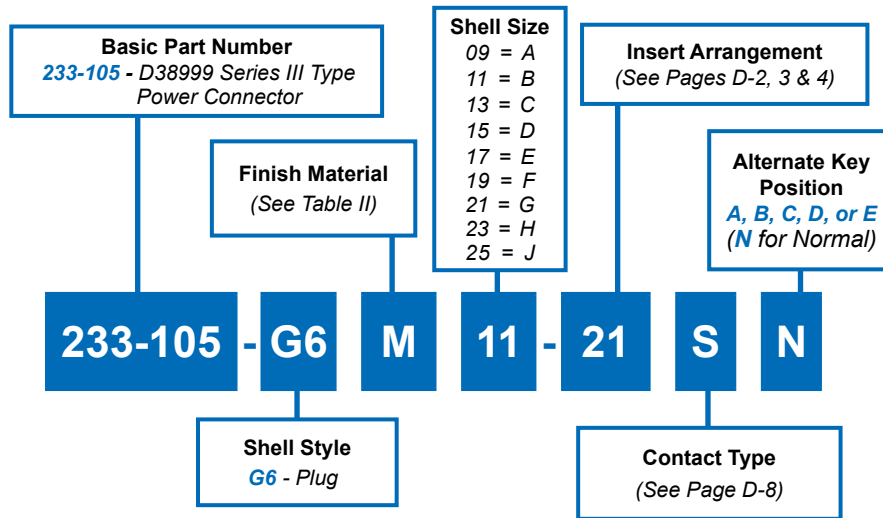
TABLE II: FINISH

SYM	MATERIAL	FINISH	MIL SYM
M	Aluminum	Electroless Nickel	F
NF		Cadmium O.D. Over Electroless Nickel	W
ZN		Zinc Ni, Olive Drab	Z
ZE		Zinc Ni, No Chromate	
ZR		Zinc Ni, Black (Tri-Valent CR)	
AL		Pure-Dense Electro-Deposited Aluminum	P
MT		Ni-PTFE 1000 Hour Grey™	T
XM	Composite	Electroless Nickel	M
XMT		Ni-PTFE 1000 Hour Grey™	
XO		No Finish	
XW		Cadmium O.D. over Electroless Nickel	J
Z1	Stainless Steel	Passivate	
ZC		Zinc Colbalt	
ZL		Electro-Deposited Nickel	
ZW		Cadmium O.D. over Nickel	
AB	Marine Bronze	None (Clean Only)	

*Consult Factory for Additional Plating Options

TABLE III: SHELL SIZE

Shell Size Code	Shell Size	A Thread	G	H	S Max Dia	J Thread
A	09	.6250-.1P-.3L-TS-2A	.144 (3.7) .083 (2.1)	.823 (20.9) .768 (19.5)	.858 (21.8)	M12 x 1.0-6g 0.100R
B	11	.7500-.1P-.3L-TS-2A	.144 (3.7) .083 (2.1)	.823 (20.9) .768 (19.5)	.984 (25.0)	M15 x 1.0-6g 0.100R
C	13	.8750-.1P-.3L-TS-2A	.144 (3.7) .083 (2.1)	.823 (20.9) .768 (19.5)	1.157 (29.4)	M18 x 1.0-6g 0.100R
D	15	1.0000-.1P-.3L-TS-2A	.144 (3.7) .083 (2.1)	.823 (20.9) .768 (19.5)	1.280 (32.5)	M22 x 1.0-6g 0.100R
E	17	1.1875-.1P-.3L-TS-2A	.144 (3.7) .083 (2.1)	.823 (20.9) .768 (19.5)	1.406 (35.7)	M25 x 1.0-6g 0.100R
F	19	1.2500-.1P-.3L-TS-2A	.144 (3.7) .083 (2.1)	.823 (20.9) .768 (19.5)	1.516 (38.5)	M28 x 1.0-6g 0.100R
G	21	1.3750-.1P-.3L-TS-2A	.171 (65.2) .083 (39.8)	.791 (20.0) .736 (18.7)	1.642 (41.7)	M31 x 1.0-6g 0.100R
H	23	1.5000-.1P-.3L-TS-2A	.171 (65.2) .083 (39.8)	.791 (20.0) .736 (18.7)	1.768 (44.9)	M34 x 1.0-6g 0.100R
J	25	1.6250-.1P-.3L-TS-2A	.171 (65.2) .083 (39.8)	.791 (20.0) .736 (18.7)	1.890 (48.0)	M37 x 1.0-6g 0.100R



Consult factory for available insert arrangements.

APPLICATION NOTES

1. Material/ Finishes:
Barrel, Coupling Nut - See Table II
(Composite Coupling Nut - No Plating Required).
Insulators- High Grade Rigid Dielectric/ N.A.
Seals- Fluorosilicone/ N.A.
2. Assembly to be identified with Glenair's name, part number and date code space permitting.
3. Insert arrangement in accordance with MIL-STD-1560.
4. Insert arrangement shown is for reference only.
5. Blue Color Band indicates rear release retention system.
7. Metric Dimensions (mm) are indicated in parentheses.

233-105-G6
MIL-DTL-38999 Series III Type
Environmental Plug Connector



TABLE II: FINISH			
SYM	MATERIAL	FINISH	MIL SYM
M	Aluminum	Electroless Nickel	F
NF		Cadmium O.D. Over Electroless Nickel	W
ZN		Zinc Ni, Olive Drab	Z
ZE		Zinc Ni, No Chromate	
ZR		Zinc Ni, Black (Tri-Valent CR)	
AL		Pure-Dense Electro-Deposited Aluminum	P
MT		Ni-PTFE 1000 Hour Grey™	T
XM	Composite	Electroless Nickel	M
XMT		Ni-PTFE 1000 Hour Grey™	
XO		No Finish	
XW		Cadmium O.D. over Electroless Nickel	J
Z1	Stainless Steel	Passivate	
ZC		Zinc Colbalt	
ZL		Electro-Deposited Nickel	
ZW		Cadmium O.D. over Nickel	
AB	Marine Bronze	None (Clean Only)	

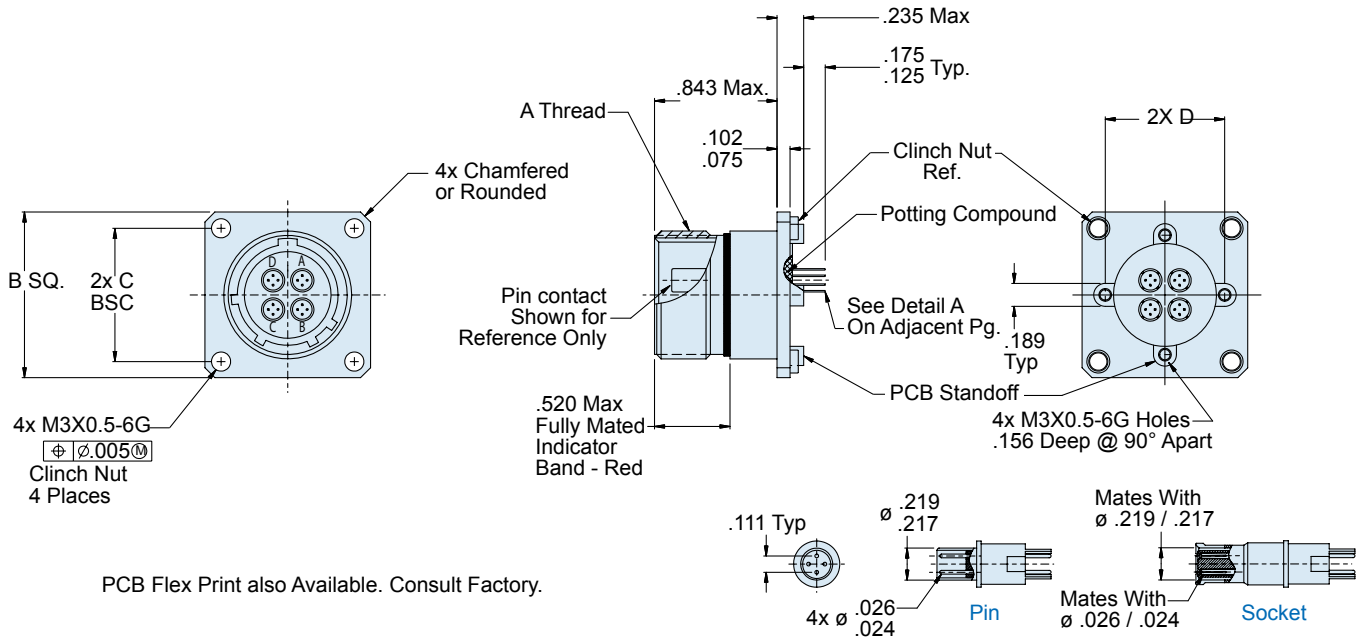
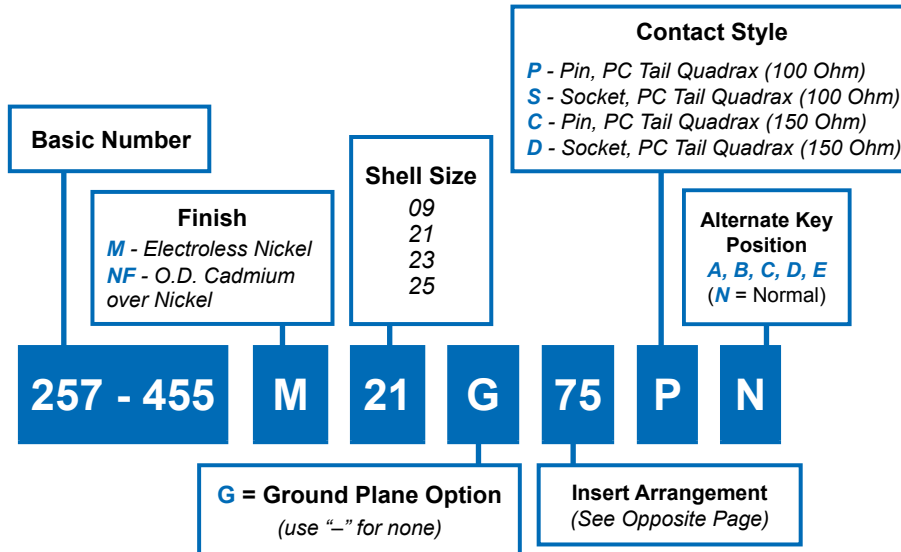
*Consult Factory for Additional Plating Options

D

TABLE III: SHELL SIZE				
Shell Size Code	Shell Size	CC Max Dia	DD Max Dia	EE Thread
A	09	.811 (20.6)	.858 (21.8)	M12 x 1.0-6g 0.100R
B	11	.929 (23.6)	.984 (25.0)	M15 x 1.0-6g 0.100R
C	13	1.110 (28.2)	1.157 (29.4)	M18 x 1.0-6g 0.100R
D	15	1.232 (31.3)	1.280 (32.5)	M22 x 1.0-6g 0.100R
E	17	1.358 (34.5)	1.406 (35.7)	M25 x 1.0-6g 0.100R
F	19	1.469 (37.3)	1.516 (38.5)	M28 x 1.0-6g 0.100R
G	21	1.594 (40.5)	1.642 (41.7)	M31 x 1.0-6g 0.100R
H	23	1.720 (43.7)	1.768 (44.9)	M34 x 1.0-6g 0.100R
J	25	1.843 (46.8)	1.890 (48.0)	M37 x 1.0-6g 0.100R



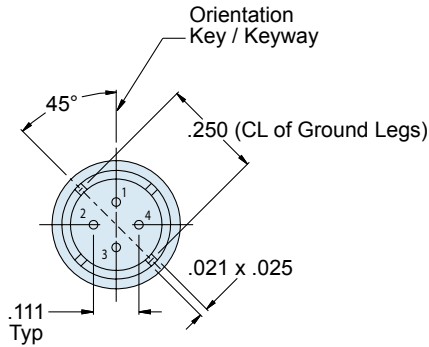
257-455
Box Mount Quadrax Connector
With PC Tails • MIL-DTL-38999 Series III Type



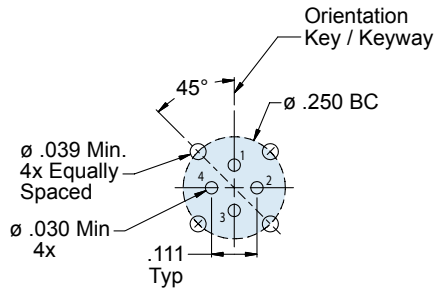
APPLICATION NOTES

1. Assembly identified with Glenair's, part number and date code
2. Insert arrangements IAW MIL-STD-1560 and Figure I
3. Glenair 257-455 receptacle connector is designed to mate with any QPL manufacturers MIL-C-38999 series III plug connector having the same insert arrangement, polarization and the same quadrax interface dimensions shown.
4. PC contacts supplied with connector (installed) and are not sold separately.
5. Material/finish:
Shell assembly, jam nut, lock ring—Al alloy/see Table II
Contacts—copper alloy/gold plate
Bayonet pins—CRES/passivate
O-rings, interfacial & peripheral seals—silicone/N.A.
Insulators—high grade rigid dielectric/ N.A.
6. Metric Dimensions (mm) are indicated in parentheses

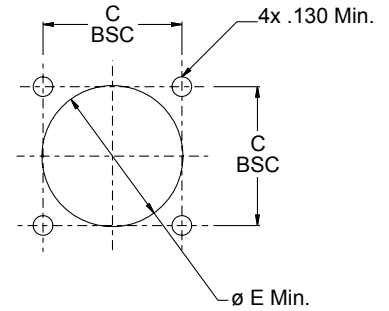
257-455
Box Mount Quadrax Connector
 With PC Tails • MIL-DTL-38999 Series III Type



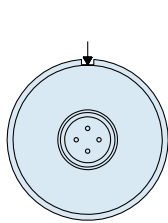
Rear View of Differential Quadrax



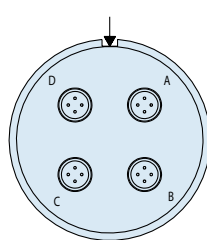
Recommended PCB Layout



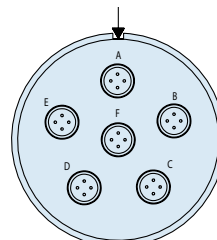
Back Panel Mounting



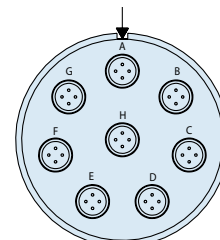
Arrangement 09-5



Arrangement 21-75



Arrangement 23-06



Arrangement 25-08

See Quadrax Contact Information on D-24

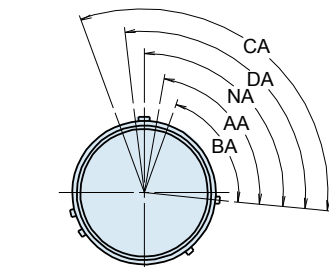
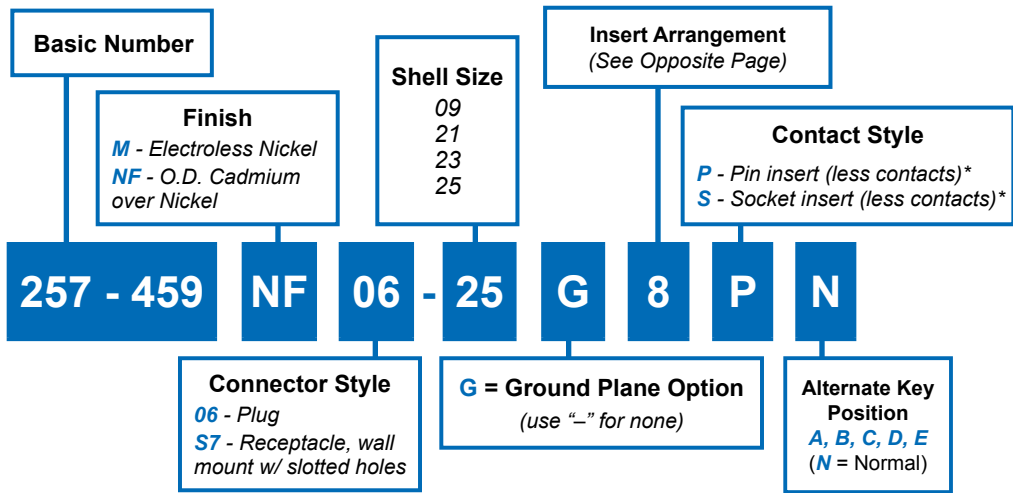


Figure 1
 Master Keyway Position
 Face View Shown
 Insert Arrangement Does
 Not Rotate With Master Keyway

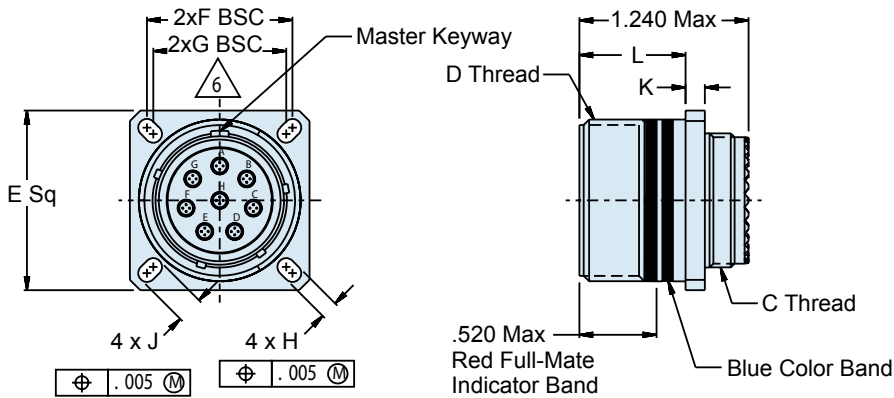
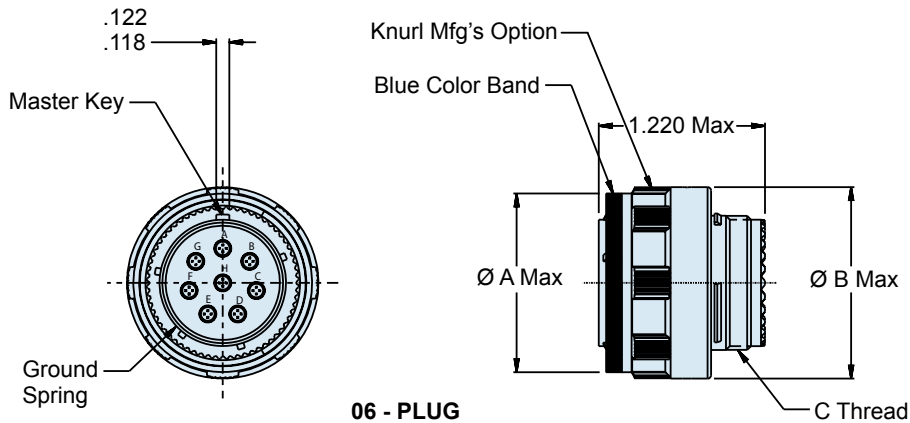
TABLE I

Shell Size	A Thread	B Sq.	C Bsc.	D Bsc.	Ø E Min.
09	.6250-.1P-.3L-TS-2A	1.031 1.007	.719	.594	.656
21	1.3750-.1P-.3L-TS-2A	1.575 1.545	1.250	1.221	1.421
23	1.5000-.1P-.3L-TS-2A	1.701 1.677	1.375	1.360	1.546
25	1.6250-.1P-.3L-TS-2A	1.823 1.799	1.500	1.475	1.672

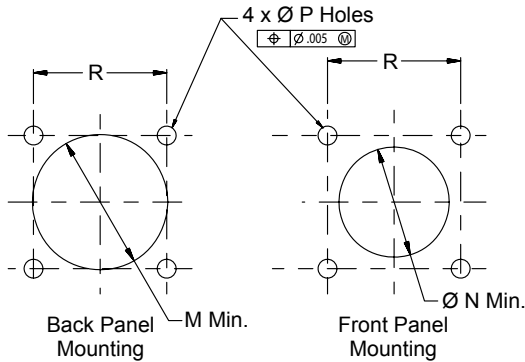




* Contacts Sold Separately. See Page D-24



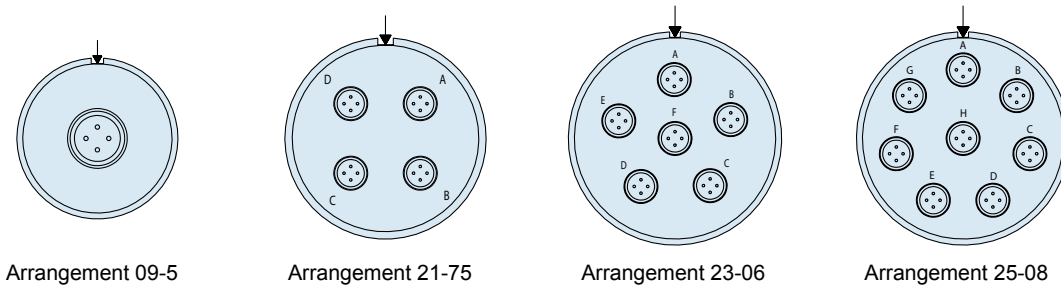
257-459
 Plug and Wall Mount Quadrax Connector
 MIL-DTL-38999 Series III Type



Shell Size Code	Shell Size	ø A Max.	ø B Max.	C Thread
A	09	.732	.858	M12 x 1.0-g 0.100R
G	21	1.508	1.642	M31 x 1.0-g 0.100R
H	23	1.626	1.768	M34 x 1.0-g 0.100R
J	25	1.752	1.890	M37 x 1.0-g 0.100R

Shell Size Code	Shell Size	D Thread	E Sq.	F BSC	G BSC	H	J	K	L
A	09	.6250-.1P-.3L-TS-2A	.949 .925	.719	.626	.136 .120	.224 .208	.144 .083	.823 .768
G	21	1.3750-.1P-.3L-TS-2A	1.575 1.551	1.250	1.156		.202 .186		
H	23	1.5000-.1P-.3L-TS-2A	1.701 1.667	1.375	1.250		.250	.171 .083	.791 .736
J	25	1.6250-.1P-.3L-TS-2A	1.823 1.799	1.500	1.375	.162 .146	.234		

Shell Size Code	Shell Size	ø M Min.	ø N Min.	P Holes	R BSC
A	09	.656	.516	.133 .123	.719
G	21	1.422	1.266		1.250
H	23	1.547	1.375	.159 .149	1.375
J	25	1.672	1.484	.155 .145	1.500



Arrangement 09-5

Arrangement 21-75

Arrangement 23-06

Arrangement 25-08





854-001 and 854-002 Crimp Quadrax Pin and Socket Contacts MIL-DTL-38999 Series III

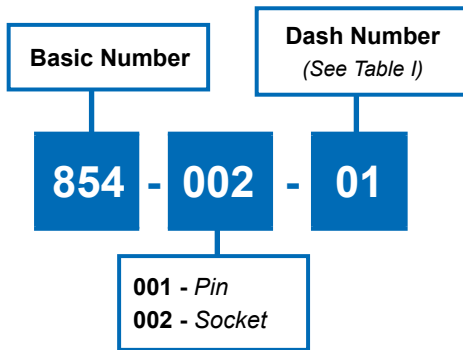
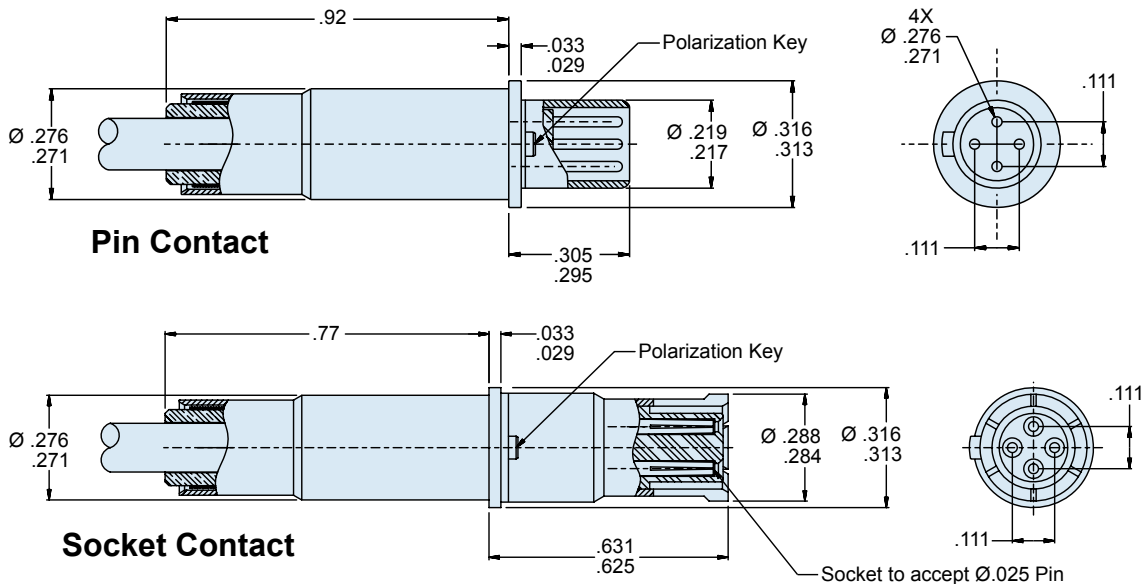


TABLE I	
Dash Number	Cables Accomodated
-01	Tensolite NF26Q100
-02	Tensolite NF24Q100
-03	Draka Fileca F 4704-6
-04	Draka Fileca F 4704-4



PRODUCT ORDERING INFORMATION

Contact Size	Type	Glenair Part Number	Military Part Number	Tool Code	Cable Type Dash No.	Wire Size	Sample Contact
#8	Quadrax	854-001	N/A	C, J (Inner) K, M (Outer)	-01 - Tensolite NF26Q100	26AWG	
		854-002			-02 - Tensolite NF24Q100	24AWG	
					-03 - Draka Fileca F 4704-6	26AWG	
					-04 - Draka Fileca F 4704-4	24AWG	

APPLICATION NOTES

- | | |
|--|---|
| <ol style="list-style-type: none"> 1. Assembly to be bagged and tagged with Glenair's name, part number and date code. 2. Material/Finish:
 Contact body - Copper alloy / Gold plated
 Inner contacts - Copper alloy / Gold plated
 Crimp ferrule - Brass or equivalent / Gold plated
 Insulator - Teflon, Ultem series 1000 or equivalent | <ol style="list-style-type: none"> 3. Electrical Parameters:
 Differential impedance - 100 ohms nominal
 Dielectric withstanding voltage - 500 VRMS
 Insulation resistance - 5000 megohms minimum at 200 VDC 4. Contact is designed to accomodate cable listed in table I 5. Pin contact shall mate with Glenair socket contact p/n 854-001-xx and fit into Glenair connector series 257-459 only. |
|--|---|

250-009 Shorting Plug for MIL-DTL-38999 Series I Type Connectors

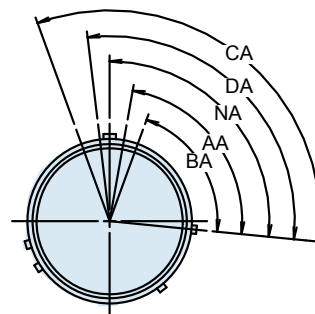
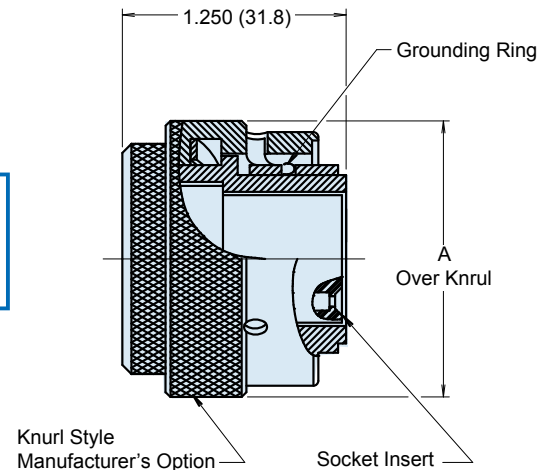
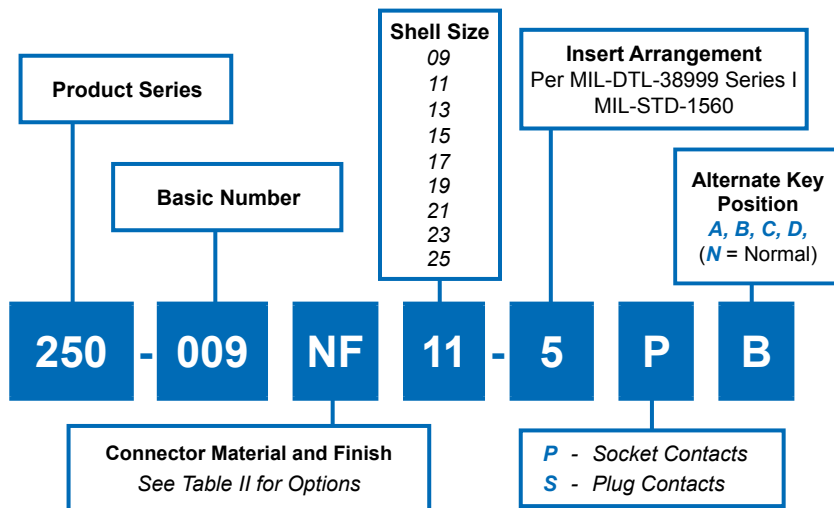


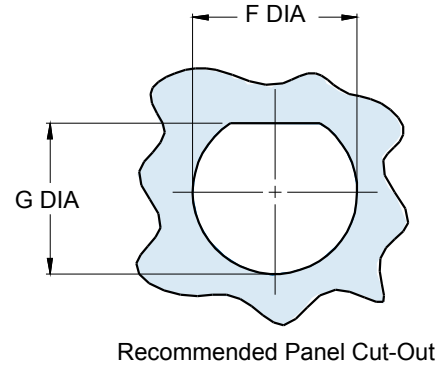
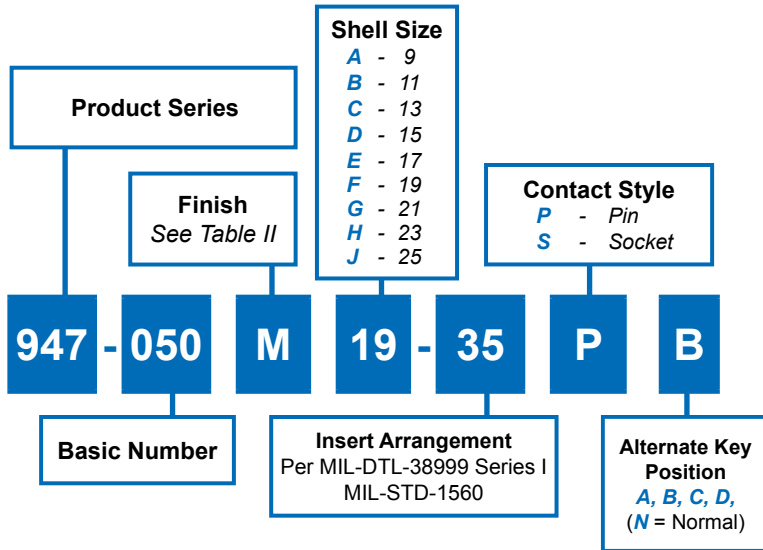
Figure 1
Master Keyway Position
Face View Shown
Insert Arrangement Does
Not Rotate with Master Keyway

TABLE I: CONNECTOR DIMENSIONS AND ALTERNATE KEYWAY POSITIONS						
SHELL SIZE	A MAX	ALTERNATE KEYWAY POSITIONS				
		NA	AA	BA	CA	DA
09	.900 (22.9)	95A	77A	-	-	113A
11	1.030 (26.2)	95A	81A	67A	123A	109A
13	1.205 (30.6)	95A	75A	63A	127A	115A
15	1.325 (33.7)	95A	74A	61A	129A	116A
17	1.450 (36.8)	95A	77A	65A	125A	113A
19	1.565 (39.8)	95A	77A	65A	125A	113A
21	1.690 (42.9)	95A	77A	65A	125A	113A
23	1.795 (45.6)	95A	80A	69A	121A	110A
25	1.920 (48.8)	95A	80A	69A	121A	110A

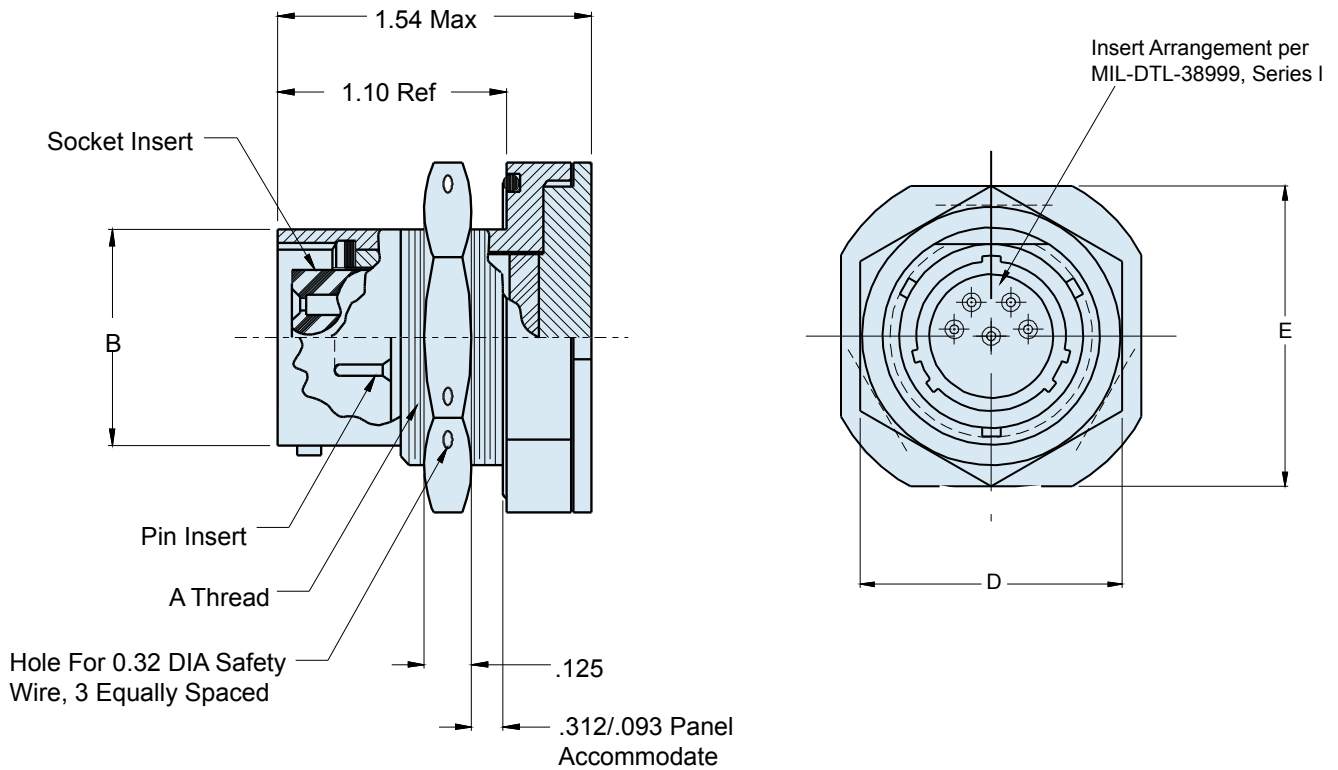
TABLE II: FINISH	
SYM	FINISH
B	Cadmium Plate/Olive Drab
M	Electroless Nickel
N	Cadmium O.D. Over Nickel Plate I
NF	Cadmium O.D. Over Electroless Nickel (500 Hr. Salt Spray)
MT	Ni-PTFE 1000 Hour Grey™ (Nickel Fluorocarbon Polymer)

APPLICATION NOTES

1. Assembly identified with manufacturer's name and part number, space permitting.
 2. All contacts are shorted to each other and to the shell, maximum resistance between contacts and shell shall be 2.5 milliohms.
 3. Material/finish:
Barrel, coupling nut, cover—aluminum alloy/See Table II.
 4. Metric Dimensions (mm) are indicated in parentheses.
- Contacts, grounding ring—copper alloy/gold plate
Grounding wafer—copper/tin plate
Wave washer—CRES/passivate
Insulators—high grade dielectric/N.A.
Compression disc, o-ring—silicone/N.A.



D



947-050
Jam Nut Mount Shorting Receptacle
MIL-DTL-38999 Series I Type



TABLE I: CONNECTOR DIMENSIONS

SHELL SIZE	A THREAD CLASS 2A	B DIA MAX	D HEX	E FLATS	F DIA ±.005(0.1)	G +.000-.005 (0-0.1)
09	11/16-24 UNEF	.573(14.6)	.875(22.2)	1.062(27.0)	.703(17.9)	.699(17.8)
11	13/16-20 UNEF	.701(17.8)	1.000(25.4)	1.250(31.8)	.827(21.0)	.769(19.5)
13	1 -20 UNEF	.851(21.6)	1.188(30.2)	1.375(34.9)	1.015(25.8)	.955(24.3)
15	1 1/8-18 UNEF	.976(24.8)	1.312(33.3)	1.500(38.1)	1.140(29.0)	1.084(27.5)
17	1 1/4-18 UNEF	1.101(28.0)	1.438(36.5)	1.625(41.3)	1.265(32.1)	1.208(30.7)
19	1 3/8-18 UNEF	1.208(30.7)	1.562(39.7)	1.812(46.0)	1.390(35.3)	1.333(33.9)
21	1 1/2-18 UNEF	1.333(33.9)	1.688(42.9)	1.938(49.2)	1.515(38.5)	1.459(37.1)
23	1 5/8-18 UNEF	1.458(37.0)	1.812(46.0)	2.062(52.4)	1.640(41.7)	1.580(40.1)
25	1 3/4-18 UNS	1.583(40.2)	2.000(50.8)	2.188(55.6)	1.765(44.8)	1.709(43.4)

TABLE II: FINISH

SYM	MATERIAL	FINISH
A	Aluminum	Cadmium Plate/Bright Dip
B		Cadmium Plate/Olive Drab
E		Gold Iridite
J		Gold Iridite over Cadmium Plate over Nickel Plate
L		Cadmium Plate/Olive Drab over Nickel Plate (500-Hour Salt Spray)
M		Electroless Nickel
N		Cadmium Plate/Olive Drab over Nickel Plate
NF		Cadmium Plate/Olive Drab over Nickel Plate (500 Hour Salt Spray)
P		Nickel Plate
T		Cadmium Plate over Nickel Plate
W		Leached Iridite
Y		Gold Iridite over Cadmium Plate
Z		Special per Purchase Order

*Consult Factory for Additional Plating Options

APPLICATION NOTES

1. Assembly identified with manufacturer's name and part number, space permitting.
2. Material/finish:
Shell assembly, jam nut, locking coupling nut—aluminum alloy/
see Table II
Contacts—copper alloy/gold plate
3. Insulators—high grade dielectric/N.A.
Bayonet pins—CRES/passivate
Ground wafer—copper/tin plate
Conductive seal—Consil II/N.A.
Metric Dimensions (mm) are indicated in parentheses.





GC487 Shorting Bulkhead Feed-Thru MIL-DTL-38999 Series I Type

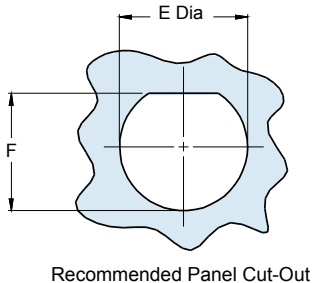
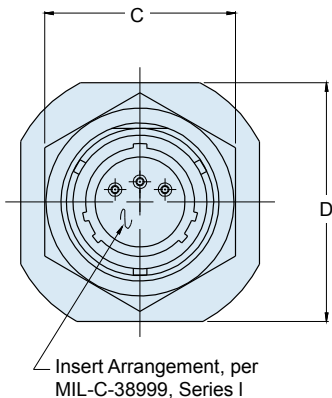
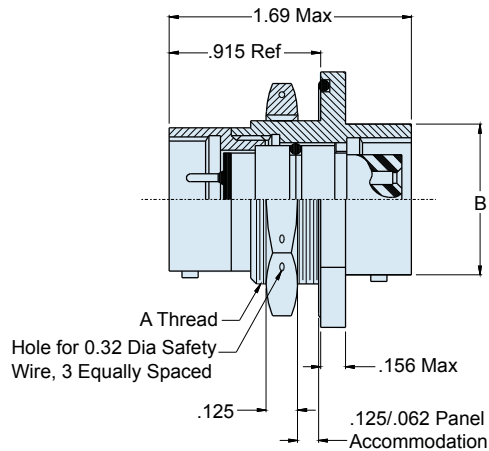
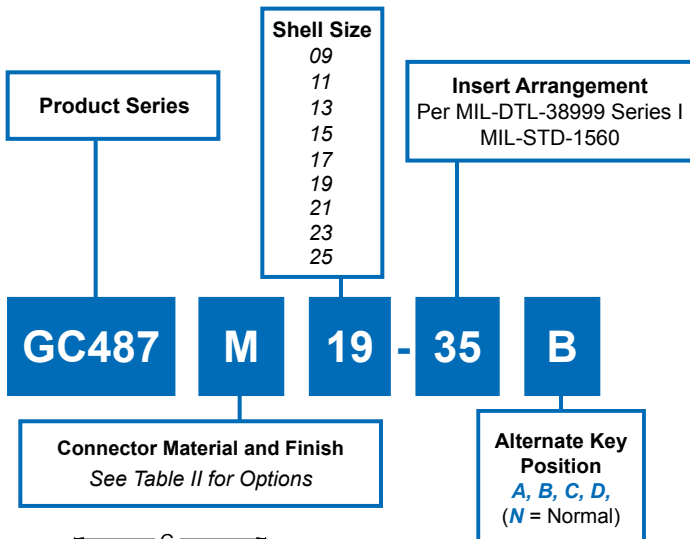


TABLE II: FINISH	
SYM	FINISH
M	Electroless Nickel
MT	Ni-PTFE 1000 Hour Grey™ (Nickel-Fluorocarbon Polymer)
NF	Cadmium O.D. Over Electroless Nickel
N	Cadmium O.D. Over Nickel Plate

TABLE I: CONNECTOR DIMENSIONS						
SHELL SIZE	A THREAD CLASS 2A	B DIA MAX	C HEX	D FLATS	E DIA ±.005(0.1)	F +.000-.005 (0-0.1)
09	11/16-24 UNEF	.573(14.6)	.875(22.2)	1.062(27.0)	.703(17.9)	.669(17.0)
11	13/16-20 UNEF	.701(17.8)	1.000(25.4)	1.250(31.8)	.827(21.0)	.769(19.5)
13	1 -20 UNEF	.851(21.6)	1.188(30.2)	1.375(34.9)	1.015(25.8)	.955(24.3)
15	1 1/8-18 UNEF	.976(24.8)	1.312(33.3)	1.500(38.1)	1.140(29.0)	1.084(27.5)
17	1 1/4-18 UNEF	1.101(28.0)	1.438(36.5)	1.625(41.3)	1.265(32.1)	1.208(30.7)
19	1 3/8-18 UNEF	1.208(30.7)	1.562(39.7)	1.812(46.0)	1.390(35.3)	1.333(33.9)
21	1 1/2-18 UNEF	1.333(33.9)	1.688(42.9)	1.938(49.2)	1.515(38.5)	1.459(37.1)
23	1 5/8-18 UNEF	1.458(37.0)	1.812(46.0)	2.062(52.4)	1.640(41.7)	1.580(40.1)
25	1 3/4-18 UNS	1.583(40.2)	2.000(50.8)	2.188(55.6)	1.765(44.8)	1.709(43.4)

APPLICATION NOTES	
<ol style="list-style-type: none"> Assembly identified with manufacturer's name and part number, space permitting Material/finish: Shell assembly, jam nut, lock ring—al alloy/see Table II 	Contacts—copper alloy/gold plate Bayonet pins—CRES/passivate O-rings, interfacial & peripheral seals—silicone/N.A. Insulators—high grade rigid dielectric/ N.A.
<ol style="list-style-type: none"> Metric Dimensions (mm) are indicated in parentheses 	

250-005
Shorting Plug
MIL-DTL-38999 Series II Type

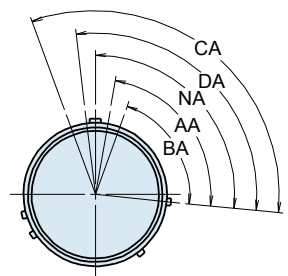
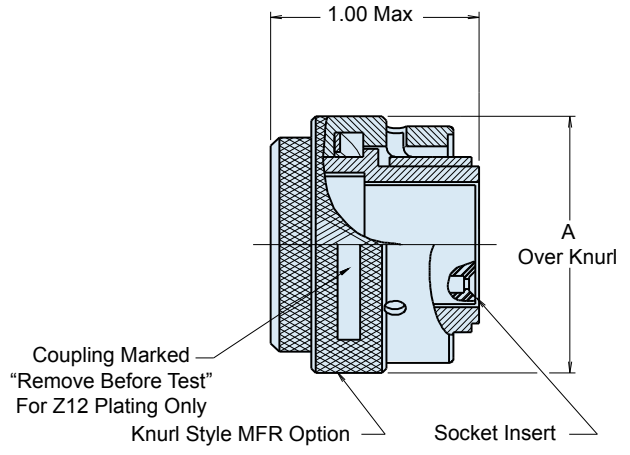
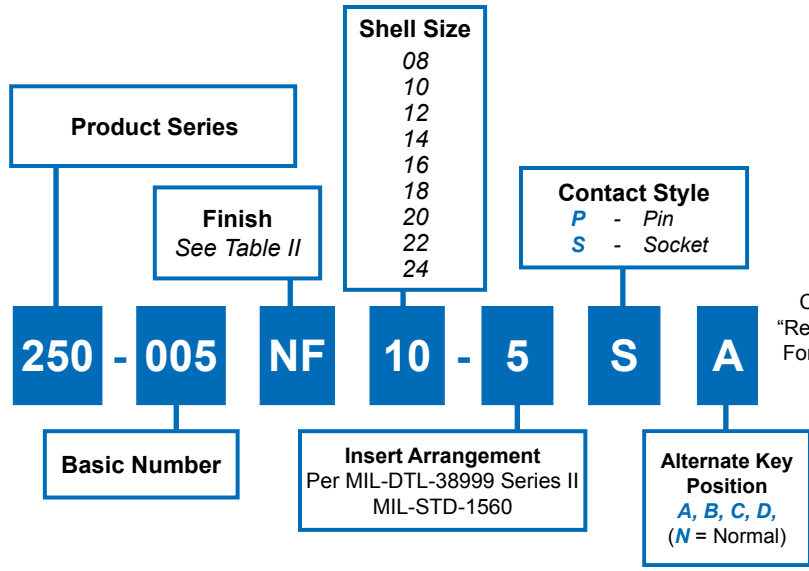


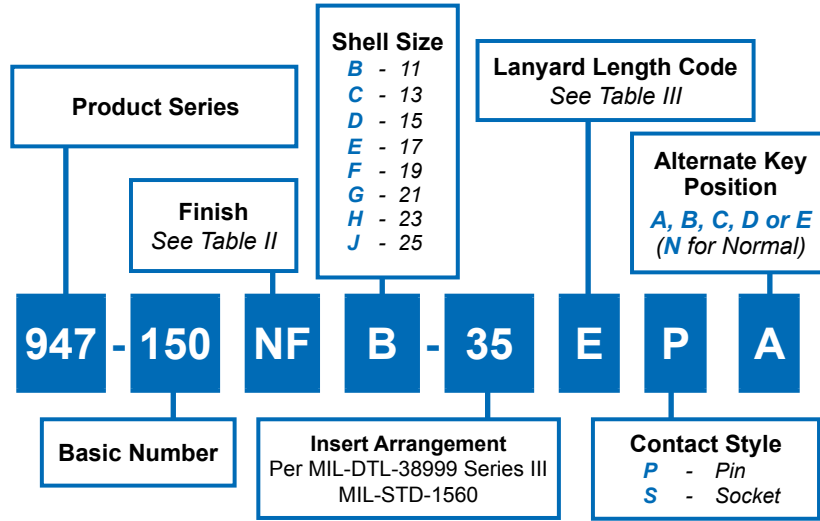
Figure 1
 Master Keyway Position
 Face View Shown
 Insert Arrangement Does
 Not Rotate With Master Keyway

TABLE I: CONNECTOR DIMENSIONS						
SHELL SIZE	A MAX	ALTERNATE KEYWAY POSITIONS				
		NA	AA	BA	CA	DA
08	.750(19.1)	100A	82A	-	-	118A
10	.859(21.8)	100A	86A	72A	128A	114A
12	1.031(26.2)	100A	80A	68A	132A	120A
14	1.156(29.4)	100A	79A	66A	134A	121A
16	1.281(32.5)	100A	82A	70A	130A	118A
18	1.406(35.7)	100A	82A	72A	130A	118A
20	1.531(38.9)	100A	82A	70A	130A	118A
22	1.641(41.7)	100A	85A	74A	126A	115A
24	1.766(44.9)	100A	85A	74A	126A	115A

TABLE II: FINISH	
SYM	FINISH
M	Electroless Nickel
MT	Ni-PTFE 1000 Hour Grey™ (Nickel-Fluorocarbon Polymer)
NF	Cadmium O.D. Over Electroless Nickel
N	Cadmium O.D. Over Nickel Plate

APPLICATION NOTES

- Assembly identified with manufacturer's name, part number and date code.
- All contacts are shorted to each other and to the shell, max resistance between contacts and shall shall be 2.5 milliohms.
- Material/Finish:
 Barrel, coupling nut, cover—aluminum alloy/see Table II
 Contacts, grounding ring—copper alloy/gold plate
 Grounding wafer—copper/tin plate
 Wave washer—CRES/passivate
 Insulators—high grade rigid dielectric/N.A.
- Metric Dimensions (mm) are indicated in parentheses.



D

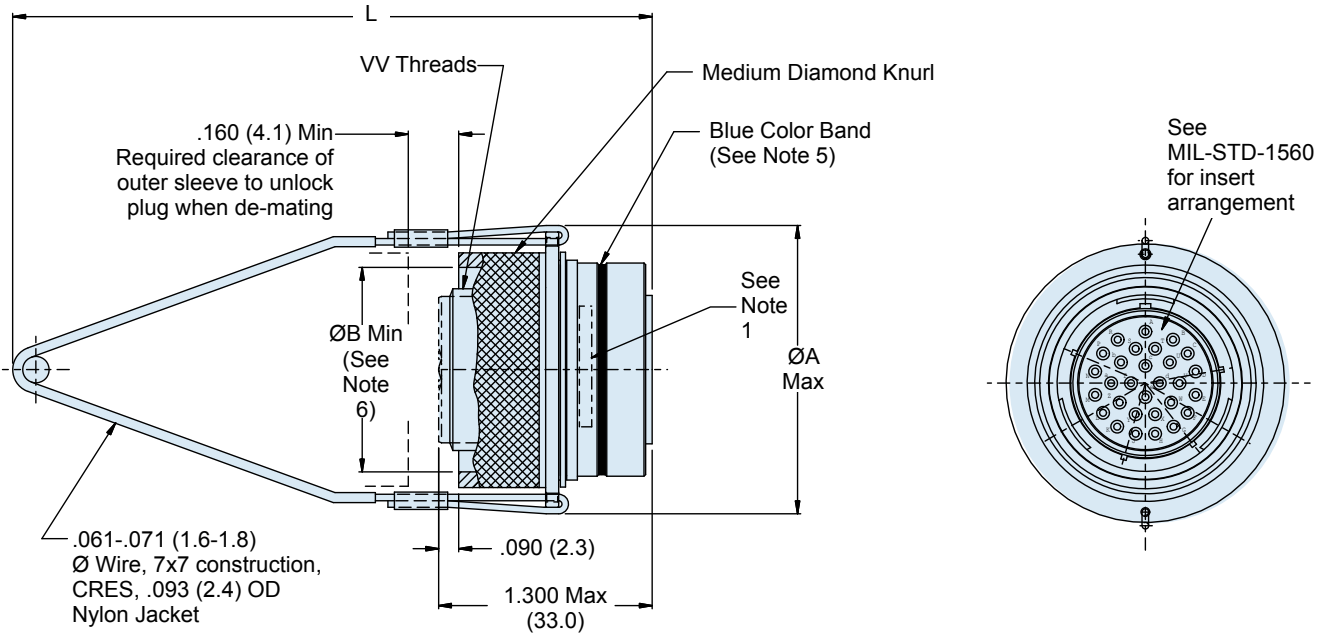


TABLE I: CONNECTOR DIMENSIONS

Shell Size	Shell Size Code	A Max	B Min	W Thread
11	B	1.846(46.9)	1.003(25.5)	M15x1-6g-0.100R
13	C	1.972(50.1)	1.177(29.9)	M18x1-6g-0.100R
15	D	3.000(76.2)	1.299(33.0)	M22x1-6g-0.100R
17	E	3.000(76.2)	1.425(36.2)	M25x1-6g-0.100R
19	F	3.000(76.2)	1.535(39.0)	M28x1-6g-0.100R
21	G	3.000(76.2)	1.661(42.2)	M31x1-6g-0.100R
23	H	3.000(76.2)	1.787(45.4)	M34x1-6g-0.100R
25	J	3.000(76.2)	1.909(48.5)	M37x1-6g-0.100R

TABLE II: FINISH

SYM	FINISH
M	Electroless Nickel
MT	Ni-PTFE 1000 Hour Grey™ (Nickel-Fluorocarbon Polymer)
NF	Cadmium O.D. Over Electroless Nickel
N	Cadmium O.D. Over Nickel Plate

947-150
Quick Disconnect Plug Connector
MIL-DTL-38999 Series III Type



TABLE III: LANYARD LENGTH CODE

CODE	L ± .236 (±6)	CODE	L ± .236 (±6)	CODE	L ± .236 (±6)	CODE	L ± .236 (±6)
A	4.016(102)	G	7.007(178)	M	10.000(254)	U	13.031(331)
B	4.527(115)	H	7.519(191)	N	10.511(267)	V	14.015(356)
C	5.000(127)	I	7.992(203)	P	11.023(280)	W	15.000(381)
D	5.511(140)	J	8.503(216)	R	11.535(293)	X	16.023(407)
E	6.024(153)	K	9.015(229)	S	12.007(305)	Y	17.007(432)
F	6.535(166)	L	9.527(242)	T	12.519(318)	Z	18.031(458)

TABLE IV: SEPARATION FORCES MAX

SHELL SIZE	STRAIGHT PULL [NEWTON]	15 DEGREE PULL [NEWTON]
11	44.96 LBS [200]	55.08 LBS [245]
13	44.96 LBS [200]	55.08 LBS [245]
15	44.96 LBS [200]	55.08 LBS [245]
17	89.92 LBS [400]	100.04 LBS [445]
19	89.92 LBS [400]	100.04 LBS [445]
21	89.92 LBS [400]	100.04 LBS [445]
23	89.92 LBS [400]	100.04 LBS [445]
25	89.92 LBS [400]	100.04 LBS [445]

TABLE V: SUPPLIED COMPONENTS

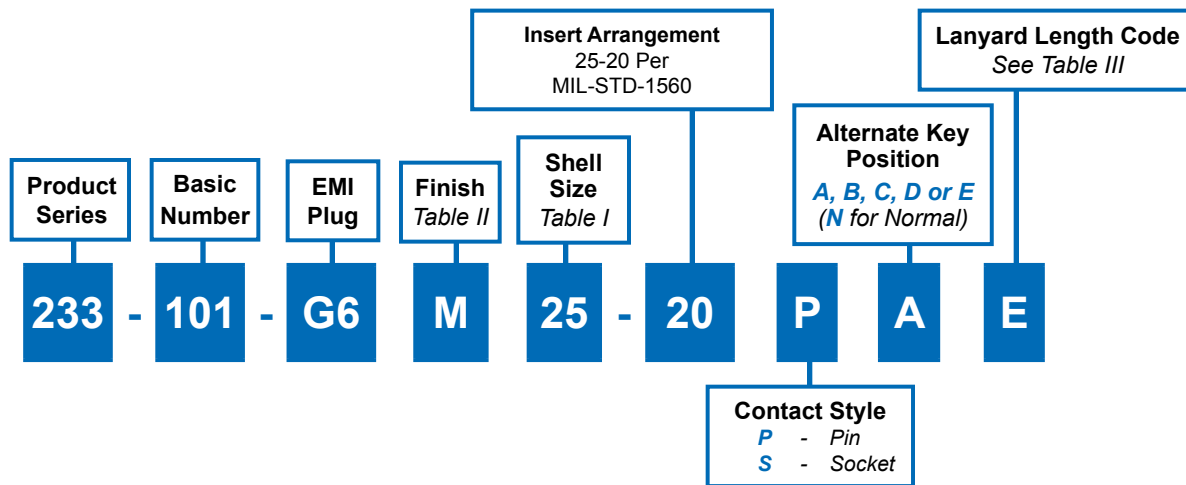
Contact Size	Contact Pin P/N	Contact Socket P/N	Sealing Plug P/N	Insert/Remove Tool P/N
22D	M39029/58-360	M39029/56-348	M27488-22	M81969/14-01
20	M39029/58-363	M39029/58-351	M27488-20	M81969/14-10
16	M39029/58-364	M39029/58-352	M27488-16	M81969/14-03
12	M39029/58-365	M39029/58-353	M27488-12	M81969/14-04
12	M39029/102-558 COAX	M39029/103-559 COAX	M27488-12	M81969/14-04
8	M39029/60-367 COAX	M39029/59-366 COAX	M27488-8	M81969/14-06
8	M39029/90-529 TWINAX	M39029/91-530 TWINAX	M27488-8	M81969/14-06

APPLICATION NOTES

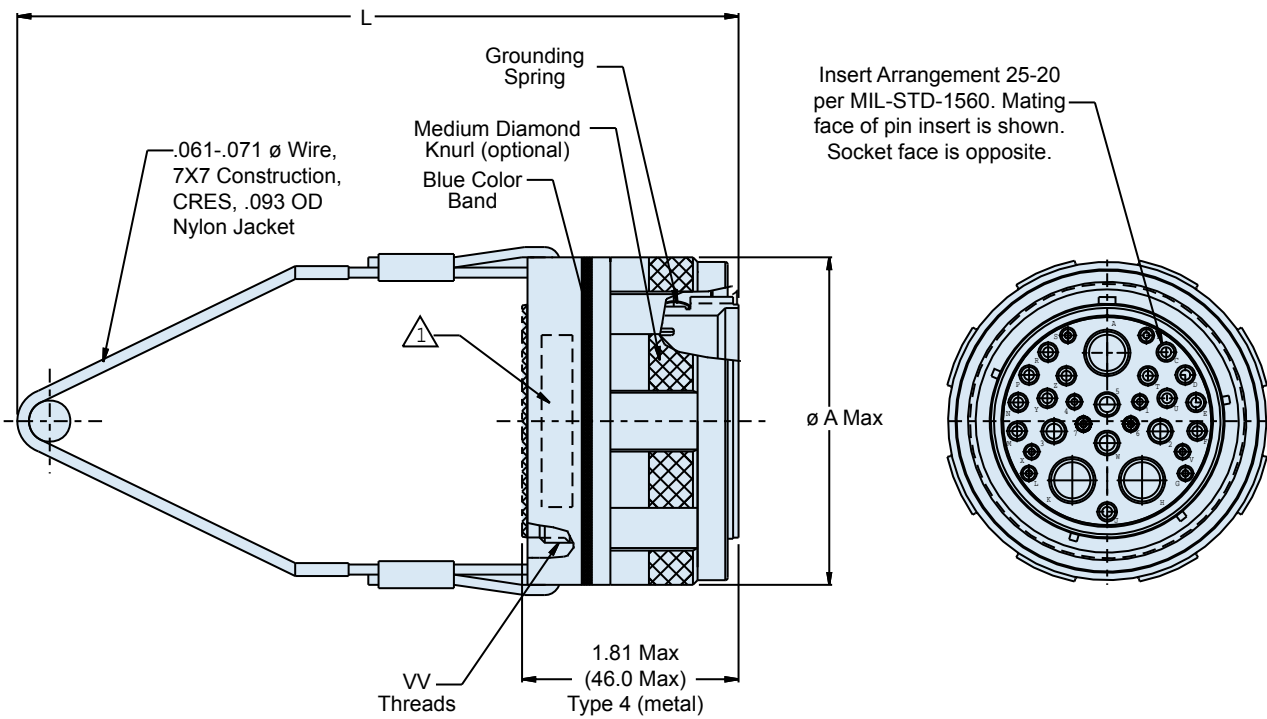
- Assembly to be identified with Glenair's name and part number.
- Material/finishes:
 Shell, coupling sleeve, lanyard ring,
 Inner sleeve, locking—al alloy or CRES/see Table II
 Contacts—copper alloy/gold plate (purchased separately)
 Insulators—high grade rigid dielectric/N.A.
 Seals—fluorosilicone/ N.A.
- This connector mates with MIL-DTL-38999/20, /21, /23, /24, /25, and /27.
- Dimensions in parenthesis are metric and for reference.
- Blue color band indicates rear release retention system.
- Dim B is clearance to accommodate AS85049 accessories.
- For backshell extender consult factory.
- Contacts, insertion/removal tools and sealing plugs are purchased separately. For more information please see catalog introduction.
- Metric dimensions (mm) are indicated in parentheses.



233-101-G6
Type 4 Lanyard Release Plug for MIL-STD-1760
 and Other MIL-DTL-38999 Series III Type
 Hybrid Signal, Power, Coax and Twinax Arrangements



D



233-101-G6
Type 4 Lanyard Release Plug for MIL-STD-1760
and Other MIL-DTL-38999 Series III Type
Hybrid Signal, Power, Coax and Twinax Arrangements



TABLE I: CONNECTOR DIMENSIONS

SHELL SIZE	SHELL SIZE CODE	A MAX	W THREAD
09	A	1.00 (25.4)	M12 x1-6g-0.100R
11	B	1.110 (28.19)	M15 x1-6g-0.100R
13	C	1.972 (50.1)	M18x1-6g-0.100R
15	D	2.078 (52.8)	M22x1-6g-0.100R
17	E	2.204 (56.0)	M25x1-6g-0.100R
19	F	2.330 (59.2)	M28x1-6g-0.100R
21	G	2.472 (62.8)	M31x1-6g-0.100R
23	H	2.594 (65.9)	M34x1-6g-0.100R
25	J	2.704 (68.7)	M37x1-6g-0.100R

TABLE II: FINISH

Symbol	Finish
M	Al alloy, Electroless Nickel
Z1	CRES, Passivated
ZL	CRES, Electrodeposited Nickel
NF	Al alloy, Olive Drab Cadmium over Nickel

TABLE III: LANYARD LENGTH CODE

CODE	L ± .236 (±6)	CODE	L ± .236 (±6)	CODE	L ± .236 (±6)	CODE	L ± .236 (±6)
A	4.016(102)	G	7.007(178)	M	10.000(254)	U	13.031(331)
B	4.527(115)	H	7.519(191)	N	10.511(267)	V	14.015(356)
C	5.000(127)	I	7.992(203)	P	11.023(280)	W	15.000(381)
D	5.511(140)	J	8.503(216)	R	11.535(293)	X	16.023(407)
E	6.024(153)	K	9.015(229)	S	12.007(305)	Y	17.007(432)
F	6.535(166)	L	9.527(242)	T	12.519(318)	Z	18.031(458)

TABLE IV: SUPPLIED COMPONENTS

Contact Size	Contact Pin Part Number	Contact Socket Part Number	Sealing Plug Part Number	Insertion/Removal Tool Part Number
22D	M39029/58-360	M39029/56-348	M27488-22	M81969/14-01
20	M39029/58-363	M39029/56-351	M27488-20	M81969/14-10
16	M39029/58-364	M39029/56-352	M27488-16	M81969/14-03
12	M39029/58-365	M39029/56-353	M27488-12	M81969/14-04
12	M39029/102-558 Coax	M39029/103-559 Coax	M27488-12	M81969/14-04
8	M39029/60-367 Coax	M39029/59-366 Coax	M27488-8	M81969/14-06
8	M39029/90-529 Twinax	M39029/91-530 Twinax	M27488-8	M81969/14-06

APPLICATION NOTES

- Assembly to be identified with Glenair's name and part number.
- Material/finishes:
 Shell, coupling sleeve, lanyard ring—Aluminum alloy or CRES per Table I
 Retaining clips—Beryllium copper/gold plated
 Insulators—High grade rigid dielectric/NA
 Wave spring, retaining rings—Cres
 Grounding Spring—Beryllium copper/electroless nickel
 Seals—fluorosilicone/NA
- This connector mates with D38999/20 and /24,
- Dimensions in parenthesis are metric and for reference.
- Blue color band indicates rear release retention system.
- Connectors to be supplied with contacts, insertion/removal tools and sealing plugs. Quantity of contacts includes spares (see Table IV).